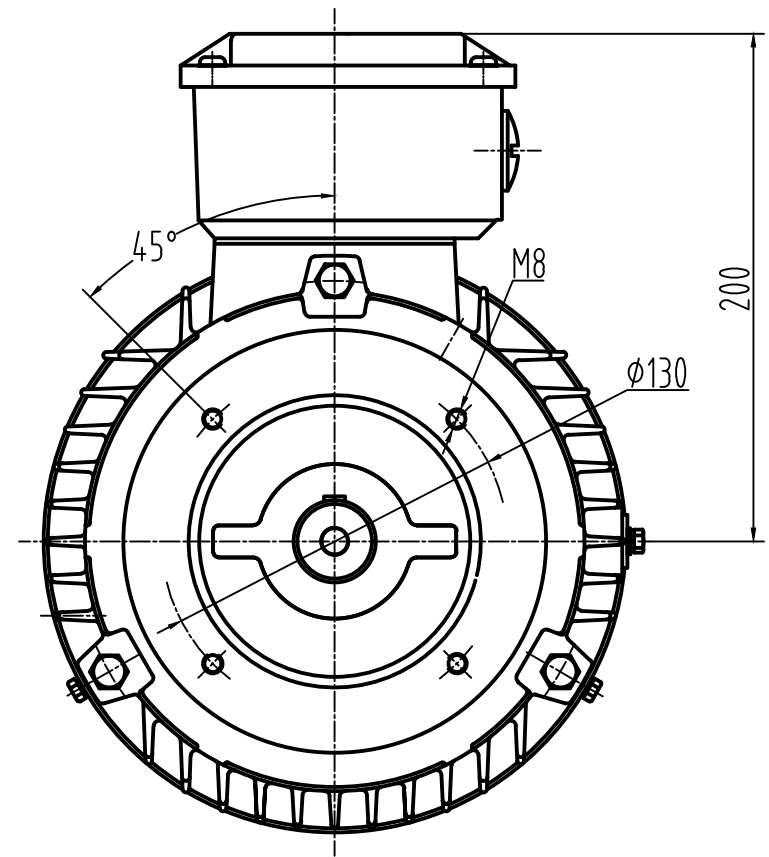


2XM30X2



3L112 2-6P B14A(IE3)

DIMENSION OUTLINE

DATE			CHK
DRAWN			APPD
ISSUE	A	DATE	CERTIFIED BY
ISSUE	B	DATE	CERTIFIED BY
ISSUE	C	DATE	CERTIFIED BY
ISSUE	D	DATE	CERTIFIED BY