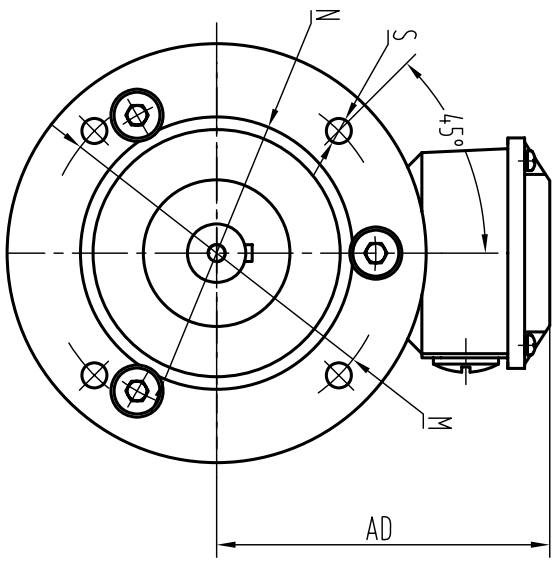
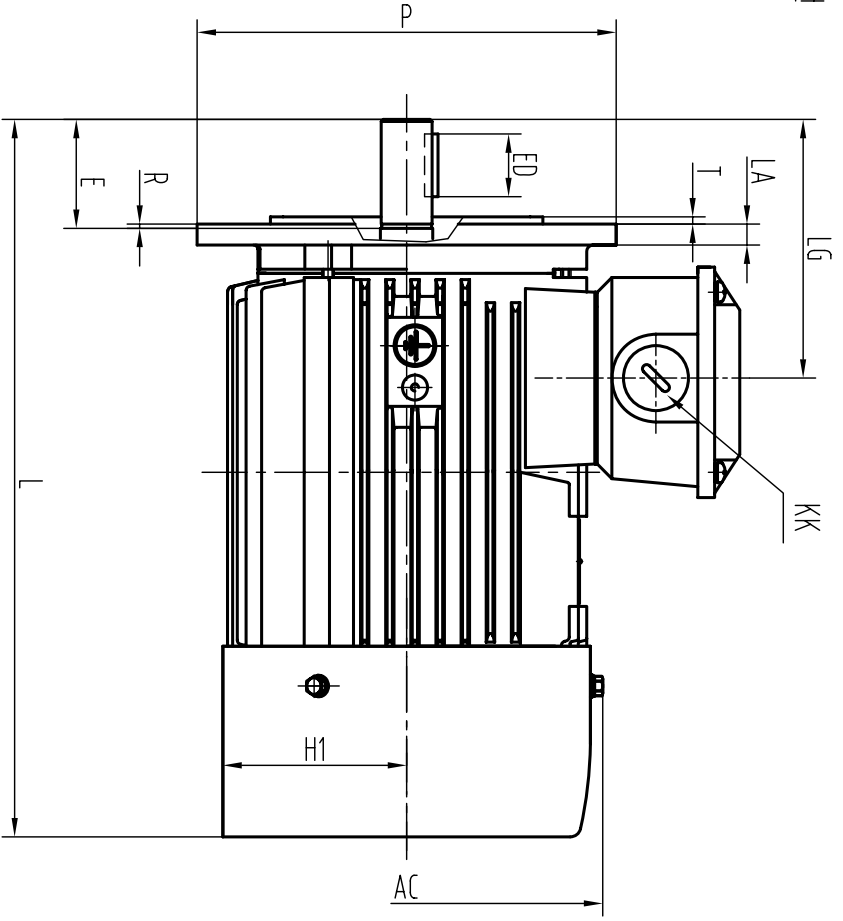


CLIENT:			
FRAME		KW	
VOLTS		RPM	

OUTLINE DIMENSIONS FLANGE MOUNTED MOTORS



195	AC
165	AD
88.5	H1
M25X1.5	KK
360(90S)	L
390(90L)	LG
132	LA
12	M
165	N
130	P
200	R
0	S
12	T
3.5	
24	D
M8X19	DH
50	E
40	ED
8	F
20	G
7	GD

SHAFT EXT. DE ONLY

WEIGHT

2L-90 2-8P (B5)  
DIMENSION OUTLINE

DATE	2005.12.5	CHK	
DRAWN	Huang	APPD	
ISSUE A	DATE	CERTIFIED BY	
ISSUE B	DATE	CERTIFIED BY	
ISSUE C	DATE	CERTIFIED BY	
ISSUE D	DATE	CERTIFIED BY	