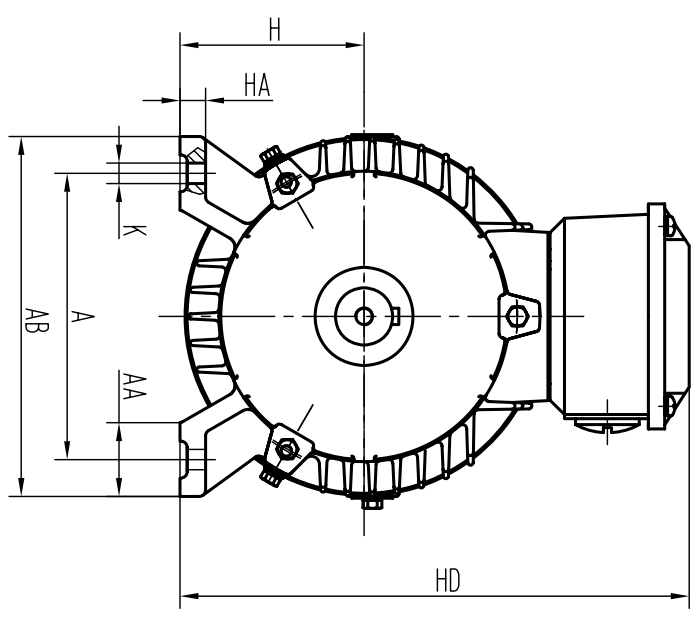
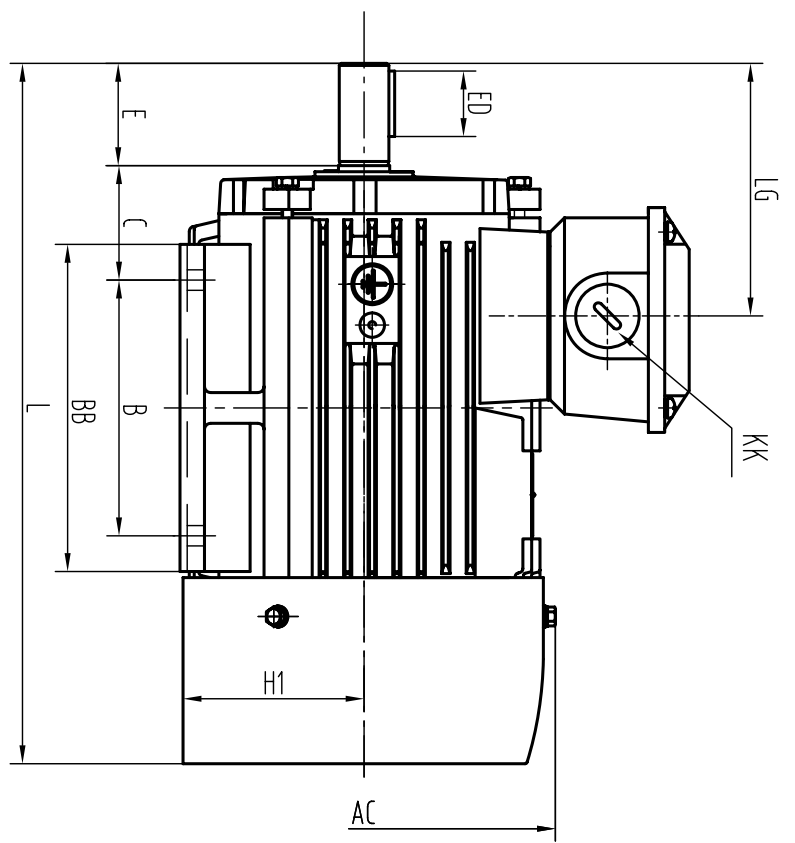


CLIENT:			
FRAME		KW	
VOLTS		RPM	



OUTLINE DIMENSIONS FOOT MOUNTED MOTORS

SHAFT EXT. DE ONLY

WEIGHT

A	140
AA	36
AB	180
AC	195
LG	132
H1	88.5
B	100(90S)
	125(90L)
BB	180(90S)
	210(90L)
C	56
H	90
HA	12.5
HD	260
K	10
KK	M25X1.5
L	360(90S)
	390(90L)
D	24
DH	M8X19
E	50
ED	40
F	8
G	20
GD	7

CUSTOMER APPROVAL

SIGNATURE

DATE

2L-90 2-8P (B3)  
DIMENSION OUTLINE

DATE	2005.12.5	CHK	
DRAWN	Huang	APPD	
ISSUE A	DATE	CERTIFIED BY	
ISSUE B	DATE	CERTIFIED BY	
ISSUE C	DATE	CERTIFIED BY	
ISSUE D	DATE	CERTIFIED BY	