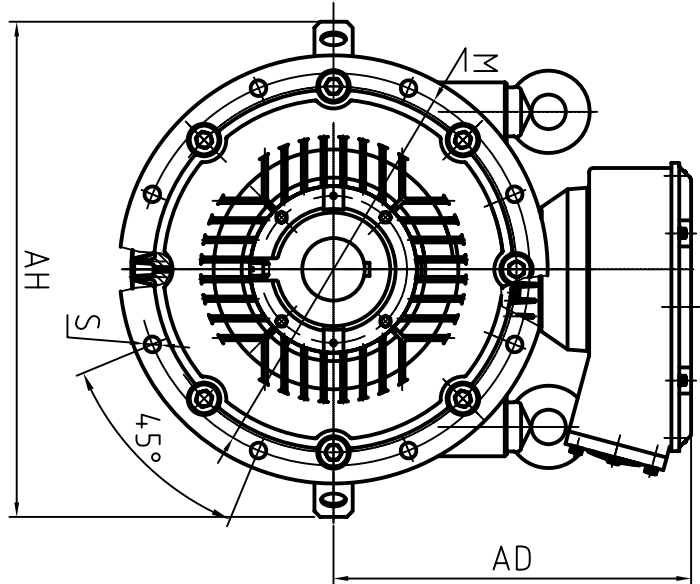
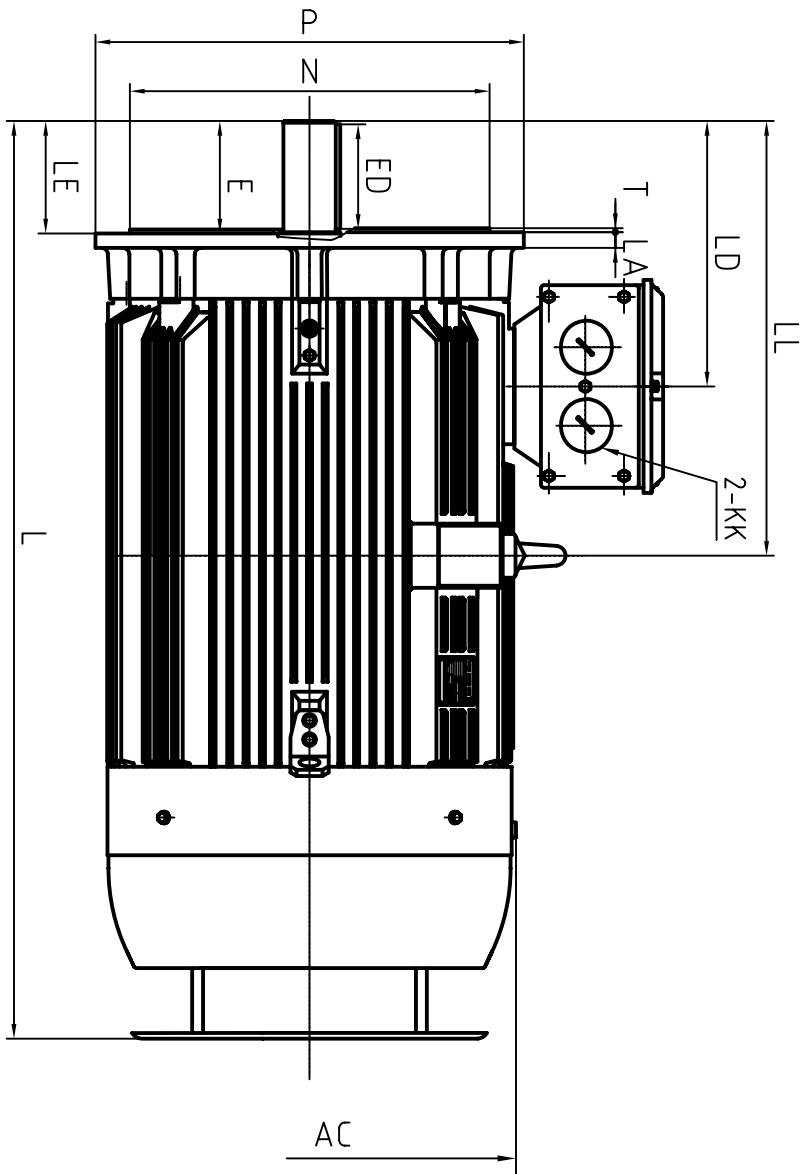


CLIENT:			
FRAME		KW	
VOLTS		RPM	



OUTLINE DIMENSIONS FLANGE MOUNTED MOTORS

SHAFT EXT. DE ONLY

WEIGHT

AC	AD	AH	KK	L	LA	LD	LE	M	N	P	S	T	D	DH	E	ED	F	G	
φ650	555	820	M63X1.5	1322(315S)	1432(315M.L)	24	406	170	φ600	φ550	φ660	8Xφ24	6	φ80	M20X42	170	140	22	71

CUSTOMER APPROVAL \_\_\_\_\_

SIGNATURE \_\_\_\_\_

DATE \_\_\_\_\_

2L-315 4-10P (V1)

DIMENSION OUTLINE

DATE	20101027	CHK	CHK	Out Huolong
DRAWN	SUNWUJUN	APPD	APPD	Zhang Wenbin
ISSUE A	DATE		CERTIFIED BY	
ISSUE B	DATE		CERTIFIED BY	
ISSUE C	DATE		CERTIFIED BY	
ISSUE D	DATE		CERTIFIED BY	