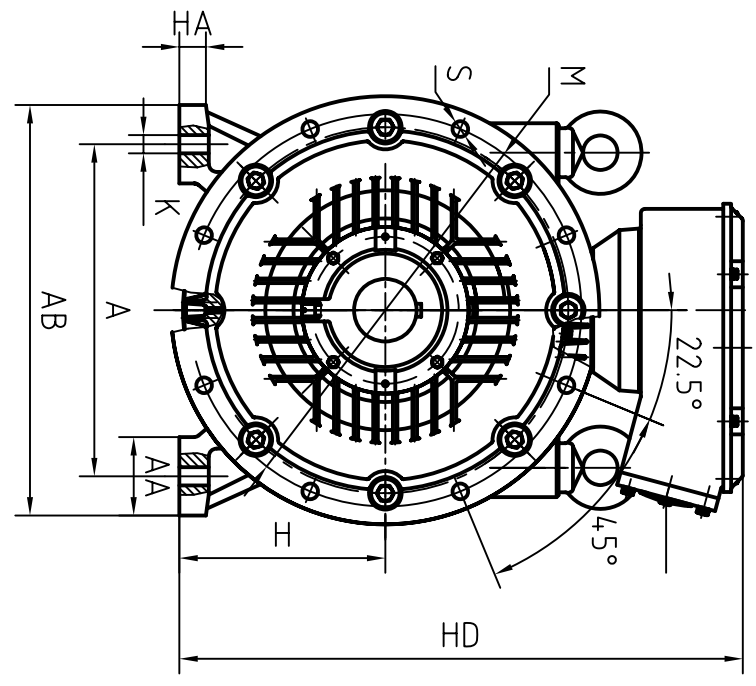
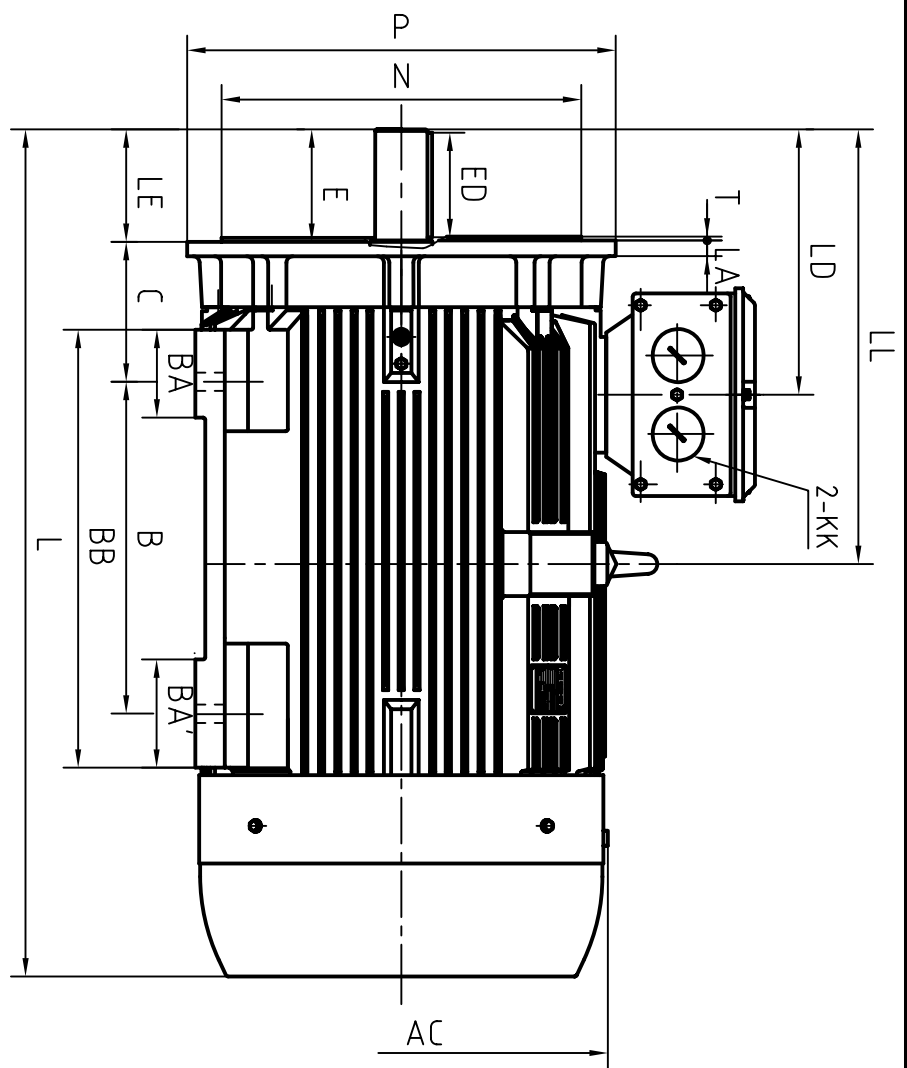


CLIENT:			
FRAME		KW	
VOLTS		RPM	



OUTLINE DIMENSIONS FOOT-FLANGE MOUNTED MOTORS

A	508	D	$\phi 80^{+0.030}_{+0.011}$	SHAFT EXT. DE ONLY	WEIGHT
AA	120	DH	M20X4.2		
AB	635	E	170		
AC	$\phi 650$	ED	140		
B	406(315S)	F	22		
	457(315M)	G	71 ⁰ _{-0.20}		
	508(315L)				
BB	565(315S)				
	675(315M.L)				
C	216				
H	315				
HA	45				
HD	870				
K	$\phi 28$				
KK	M63X1.5				
L	1222(315S)				
	1332(315M.L)				
LA	24				
LD	406				
LE	170				

$\phi 600$	M
$\phi 550$	N
$\phi 660$	P
8X $\phi 24$	S
6	T

CUSTOMER APPROVAL

SIGNATURE

DATE

2L-315 4-8P (B35)

DIMENSION OUTLINE

DATE	2010.10.27	CHK	CHK	OU TUDONG
DRAWN	SUNWUJUN	APPD	APPD	ZHANG WENBIN
ISSUE A	DATE		CERTIFIED BY	
ISSUE B	DATE		CERTIFIED BY	
ISSUE C	DATE		CERTIFIED BY	
ISSUE D	DATE		CERTIFIED BY	