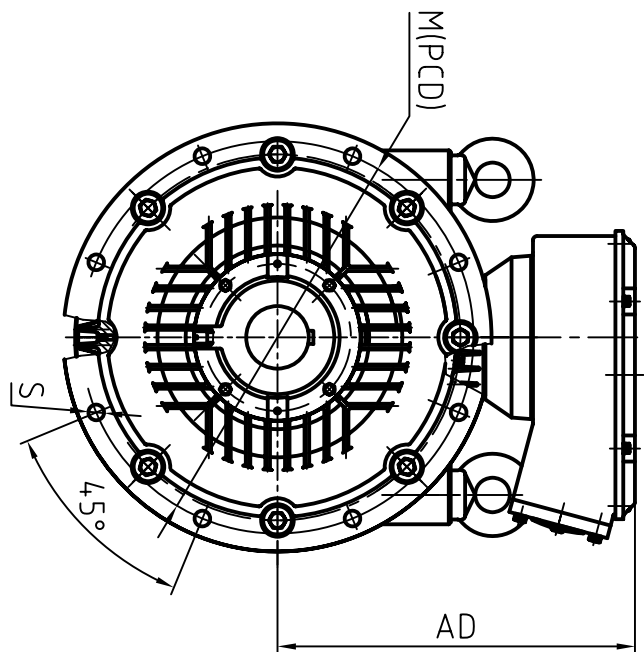
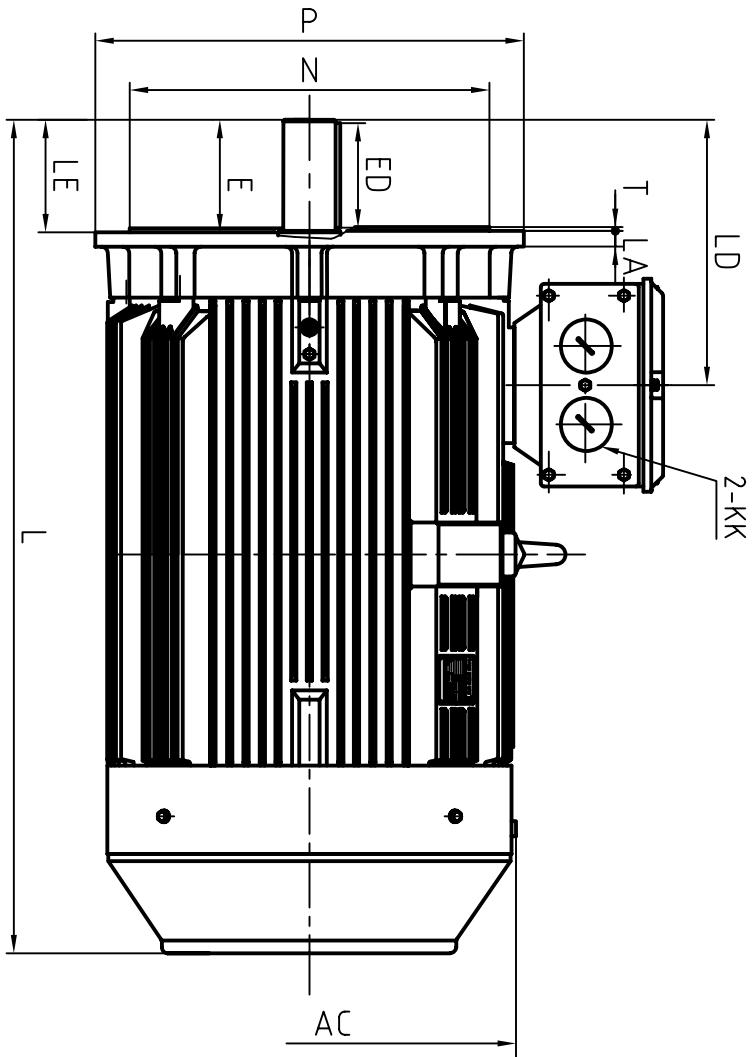


CLIENT:			
FRAME		KW	
VOLTS		RPM	



OUTLINE DIMENSIONS FLANGE MOUNTED MOTORS

SHAFT EXT. DE ONLY

WEIGHT

AC	AD	KK	L	LA	LD	LE	M	N	P	S	T	D	DH	E	ED	F	G
φ650	555	M63×1.5	1180(315S) 1290(315M.L)	24	376	140	φ600	φ550	φ660	8×φ24	6	φ65 ^{+0.030} _{+0.011}	M20×4.2	140	110	18	58 ⁰ _{-0.2}

CUSTOMER APPROVAL

SIGNATURE

DATE

2L-315 2P (B5)

DIMENSION OUTLINE

DATE	20101027	CHK	CHK	QutHuang
DRAWN	SUNWUJUN	APPD	APPD	Zhang Weibin
ISSUE A	DATE		CERTIFIED BY	
ISSUE B	DATE		CERTIFIED BY	
ISSUE C	DATE		CERTIFIED BY	
ISSUE D	DATE		CERTIFIED BY	