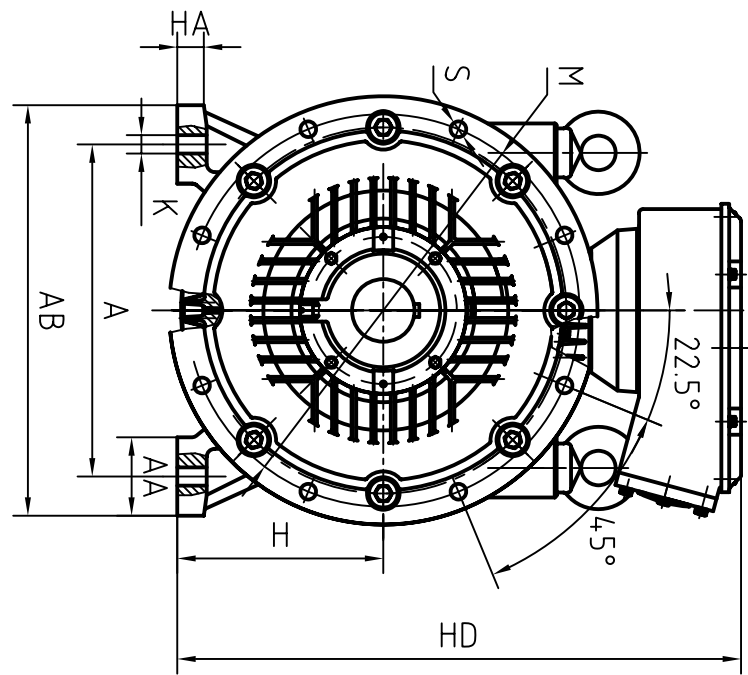
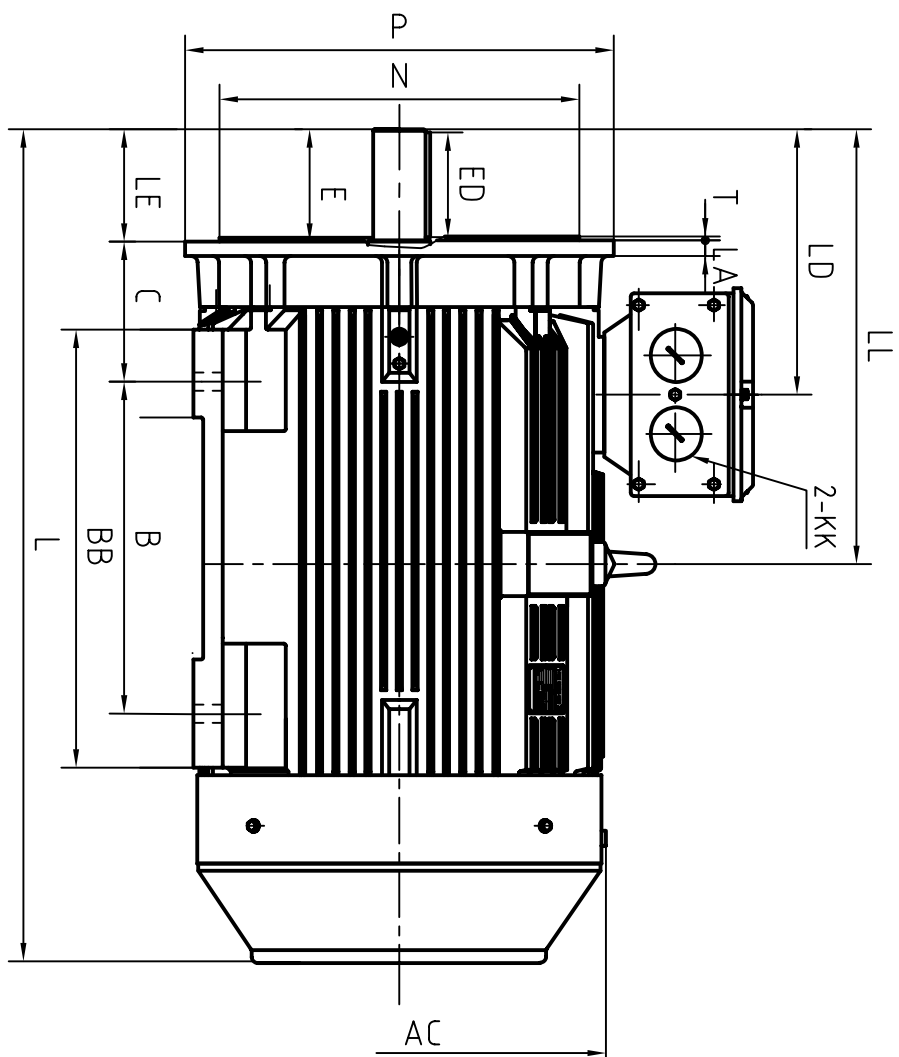


CLIENT:			
FRAME		KW	
VOLTS		RPM	



OUTLINE DIMENSIONS FOOT-FLANGE MOUNTED MOTORS

A	508	D	$\phi 65^{+0.030}_{+0.011}$	SHAFT EXT. DE ONLY	WEIGHT
AA	120	DH	M20×42		
AB	635	E	140		
AC	$\phi 650$	ED	110		
B	406(315S)	F	18		
	457(315M)	G	$58^{0}_{-0.20}$		
BB	508(315L)				
	565(315S)				
C	675(315M.L)				
	216				
H	315				
HA	45				
HD	870				
K	$\phi 28$				
KK	M63X1.5				
L	1180(315S)				
	1290(315M.L)				
LA	24				
LD	376				
LE	140				

$\phi 600$	M
$\phi 550$	N
$\phi 660$	P
8X $\phi 24$	S
6	T

CUSTOMER APPROVAL

SIGNATURE

DATE

2L-315 2P (B35)
DIMENSION OUTLINE

DATE	20101027	CHK	CHK	Our Huadong
DRAWN	SUNWUJUN	APPD	APPD	Zhong Weibin
ISSUE A	DATE		CERTIFIED BY	
ISSUE B	DATE		CERTIFIED BY	
ISSUE C	DATE		CERTIFIED BY	
ISSUE D	DATE		CERTIFIED BY	