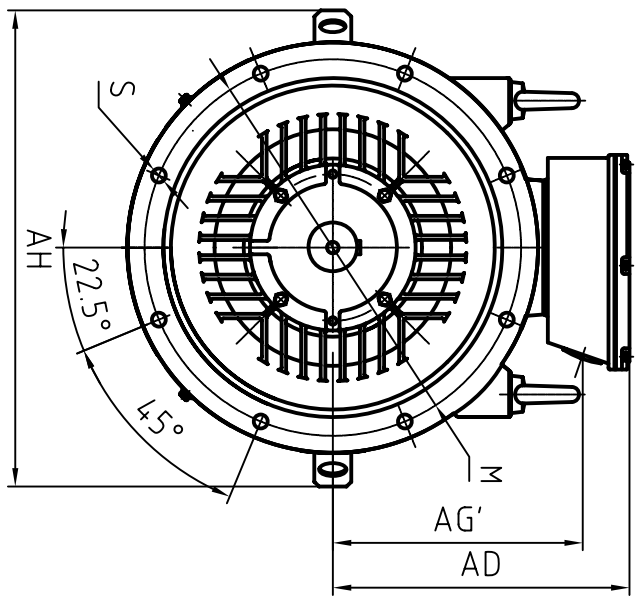
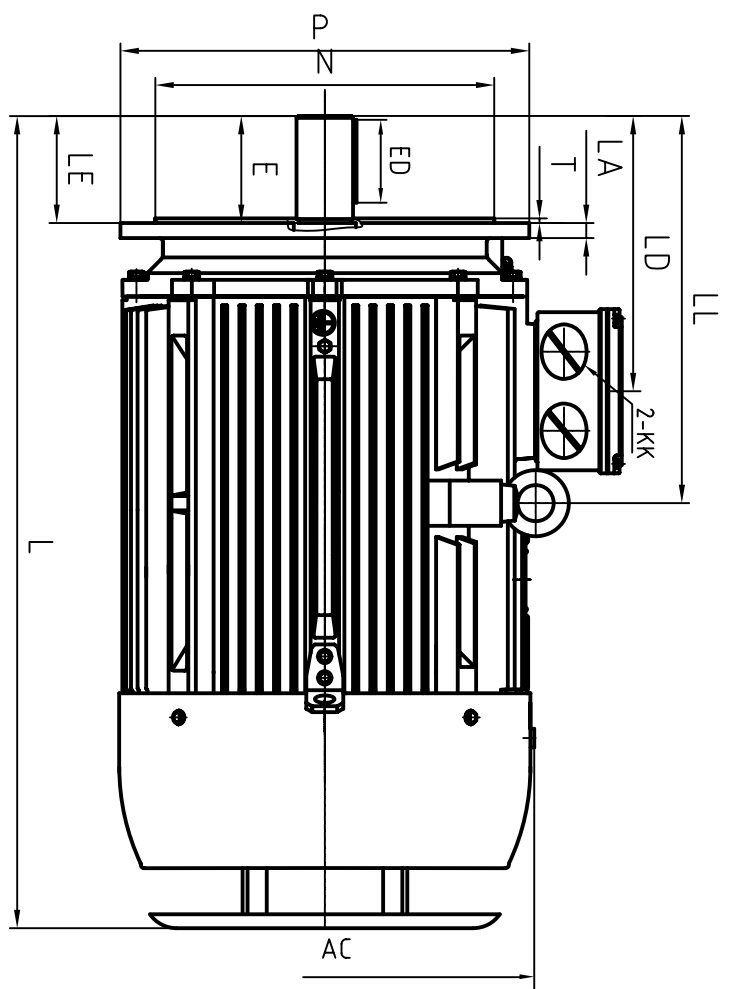


| | | | |
|---------|--|-----|--|
| CLIENT: | | | |
| FRAME | | KW | |
| VOLTS | | RPM | |



OUTLINE DIMENSIONS FOOT MOUNTED MOTORS

| | | | | | | | | | | | | | | |
|------|-----|-----|-----|-----------|------|----|-----|-----|-----|------|------|------|---------|---|
| AC | AD | AG' | AH | KK | L | LA | LD | LE | LL | M | N | P | S | T |
| φ570 | 405 | 322 | 705 | M63 X 1.5 | 1090 | 22 | 365 | 140 | 514 | φ500 | φ450 | φ550 | 8×φ18.5 | 5 |

SHAFT EXT. DE ONLY

| | | | | | |
|---|--------|-----|-----|----|-----------------------------------|
| D | DH | E | ED | F | G |
| φ75 ^{+0.030} _{+0.011} | M20×42 | 140 | 110 | 20 | 67.5 ⁰ _{-0.2} |

WEIGHT

| | | | |
|--|--|-----------|--------------|
| | | CHK | APPD |
| | | Ou Hudong | Zhang Weibin |

CUSTOMER APPROVAL SIGNATURE _____ DATE _____

2L-280-4,6,8(V1)

DIMENSION OUTLINE

| | | | |
|---------|------------|--------------|--|
| DATE | 20101027 | CHK | |
| DRAWN | ZHANG HONG | APPD | |
| ISSUE A | DATE | CERTIFIED BY | |
| ISSUE B | DATE | CERTIFIED BY | |
| ISSUE C | DATE | CERTIFIED BY | |
| ISSUE D | DATE | CERTIFIED BY | |