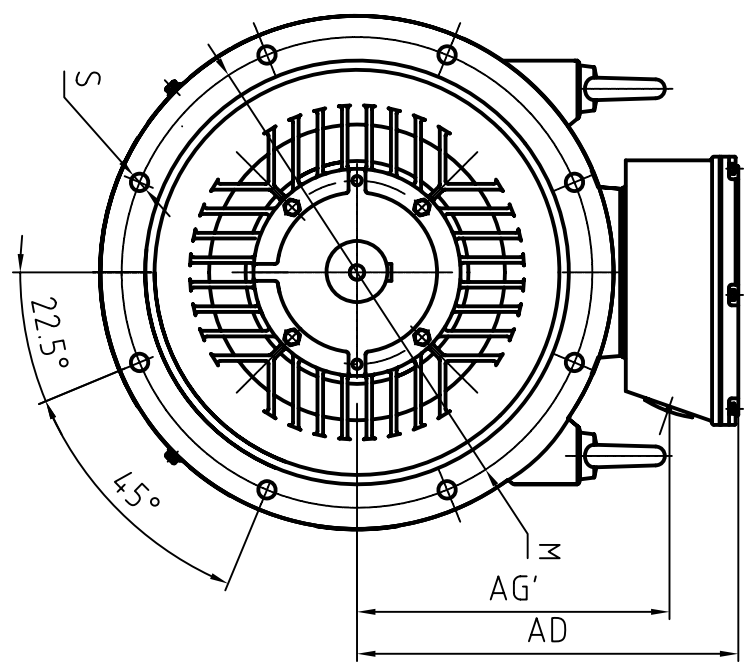
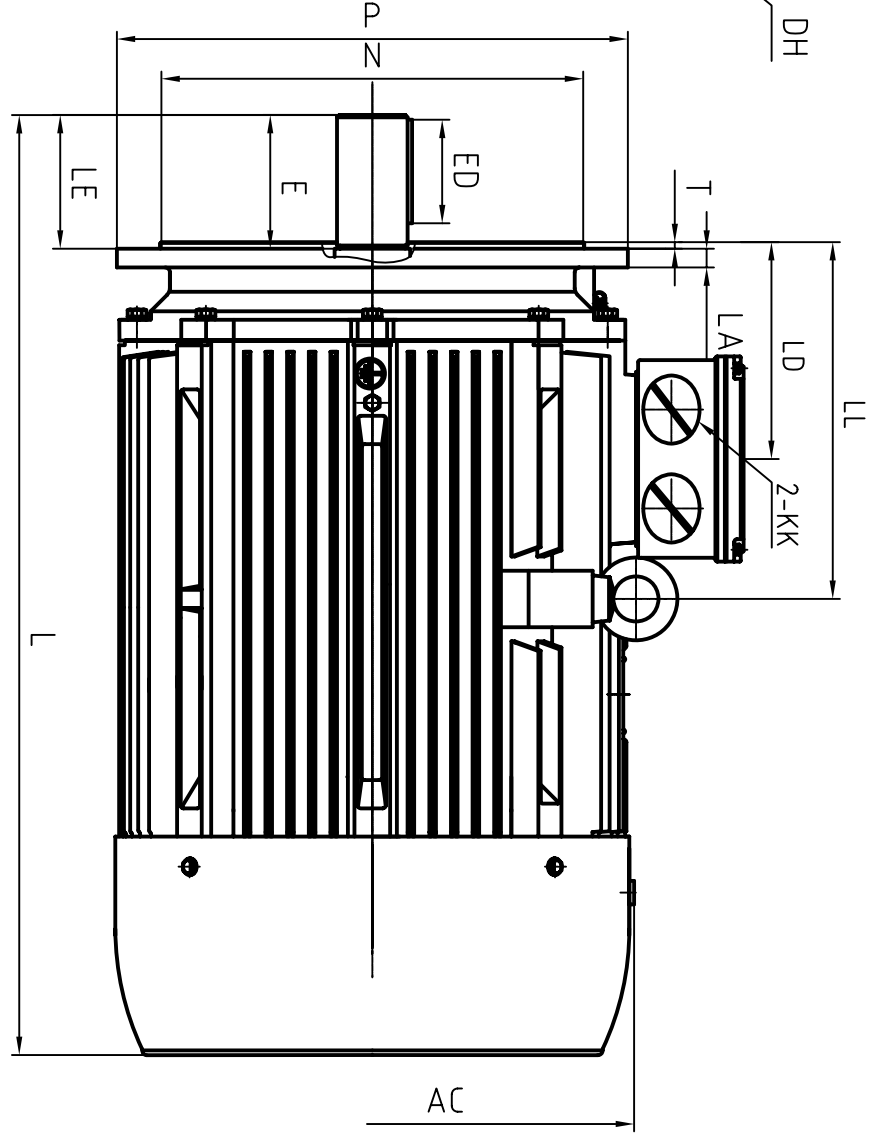


CLIENT:			
FRAME		KW	
VOLTS		RPM	



OUTLINE DIMENSIONS FOOT MOUNTED MOTORS

AC	AD	AG'	KK	L	LA	LD	LE	LL	M	N	P	S	T
φ570	405	322	M63 X 1.5	1010	22	365	140	514	φ500	φ450	φ550	8×φ18.5	5

SHAFT EXT. DE ONLY

D	DH	E	ED	F	G
φ75 <sup>+0.030</sup> <sub>+0.011</sub>	M20×42	140	110	20	67.5 <sup>0</sup> <sub>-0.2</sub>

WEIGHT

--	--	--	--	--	--

CUSTOMER APPROVAL \_\_\_\_\_ SIGNATURE \_\_\_\_\_ DATE \_\_\_\_\_

2L-280-4,6,8(B5)		DATE	20101027	CHK	Ou Hudong
DIMENSION OUTLINE		DRAWN	ZHANG HONG	APPD	Zhang Weibin
ISSUE A	DATE			CERTIFIED BY	
ISSUE B	DATE			CERTIFIED BY	
ISSUE C	DATE			CERTIFIED BY	
ISSUE D	DATE			CERTIFIED BY	