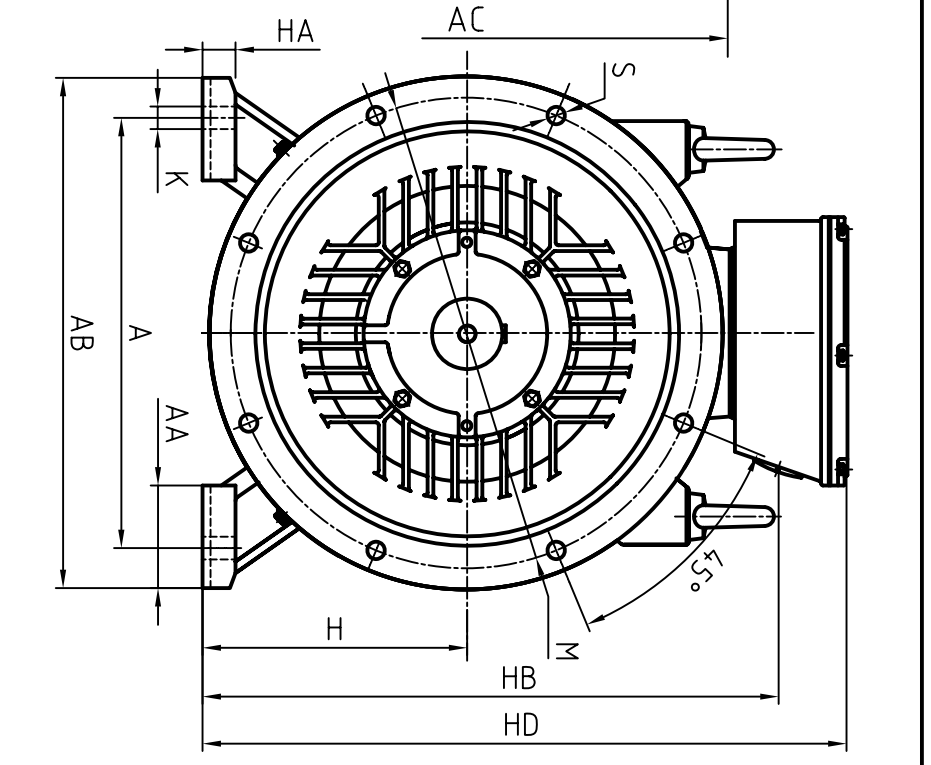
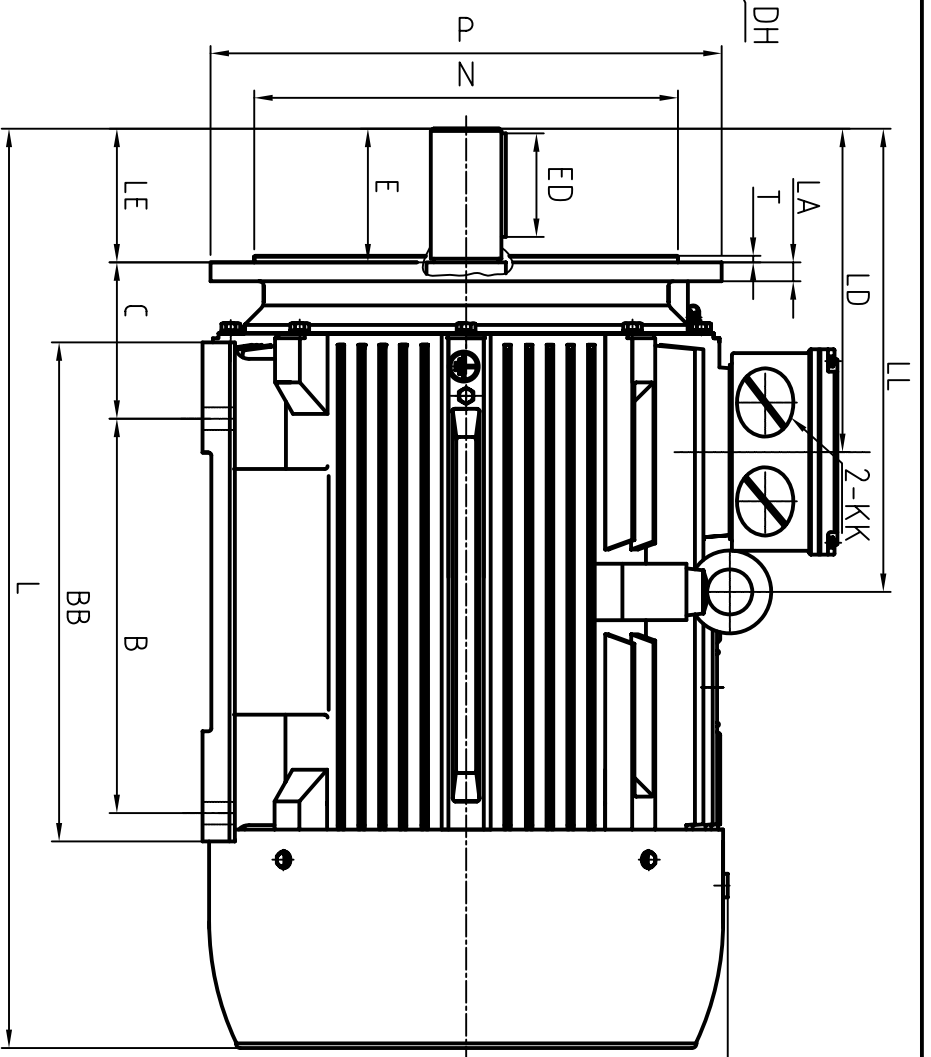
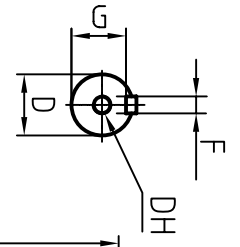


CLIENT:			
FRAME		KW	
VOLTS		RPM	



OUTLINE DIMENSIONS FOOT MOUNTED MOTORS

SHAFT EXT. DE ONLY

WEIGHT

A	457	B	368(280S)	BB	535	HA	35	L	1010	D	$\phi 75^{+0.030}_{+0.011}$	E	140	G	$67.5^{0}_{-0.2}$
AA	109	B	419(280M)	C	190	HB	602	LA	22	DH	M20X42	ED	110		
AB	550			H	280	HD	685	LD	365			F	20		
AC	$\phi 570$					K	$\phi 24$								

LE	140	S	8X $\phi 18.5$
LL	514	T	5
M	$\phi 500$		
N	$\phi 450$		
P	$\phi 550$		

CUSTOMER APPROVAL _____ SIGNATURE _____ DATE _____

DATE		20101027	CHK	CHK	Qi Huaolong
DRAWN		ZHANG HONG	APPD	APPD	Zhang Weibin
ISSUE A	DATE		CERTIFIED BY		
ISSUE B	DATE		CERTIFIED BY		
ISSUE C	DATE		CERTIFIED BY		
ISSUE D	DATE		CERTIFIED BY		

2L-280 4,6,8P(B35)
DIMENSION OUTLINE