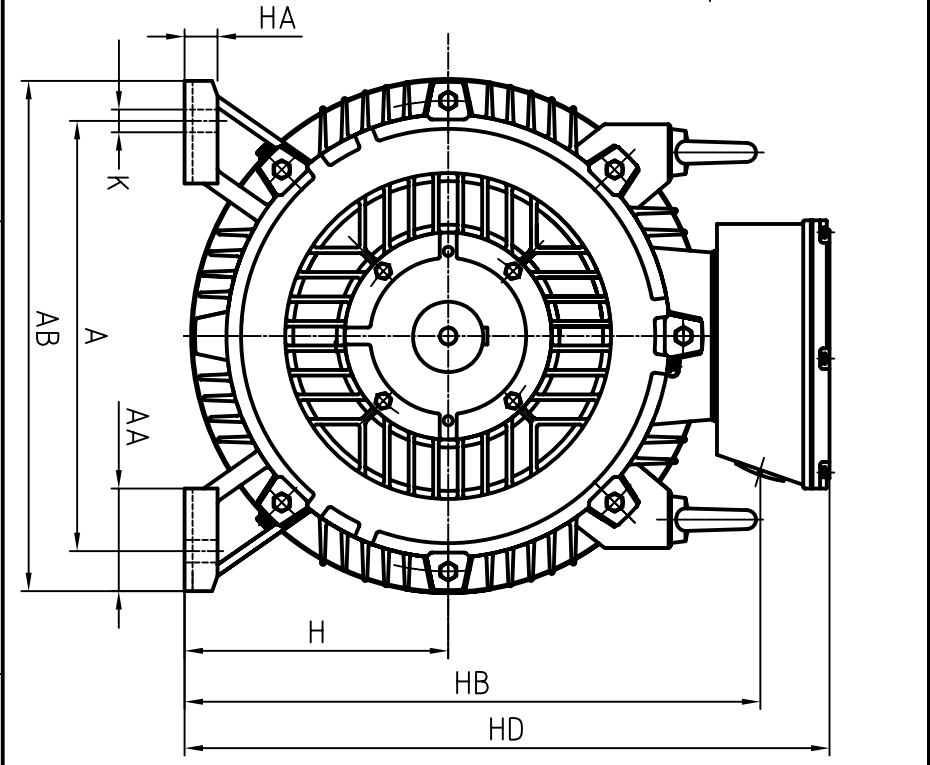
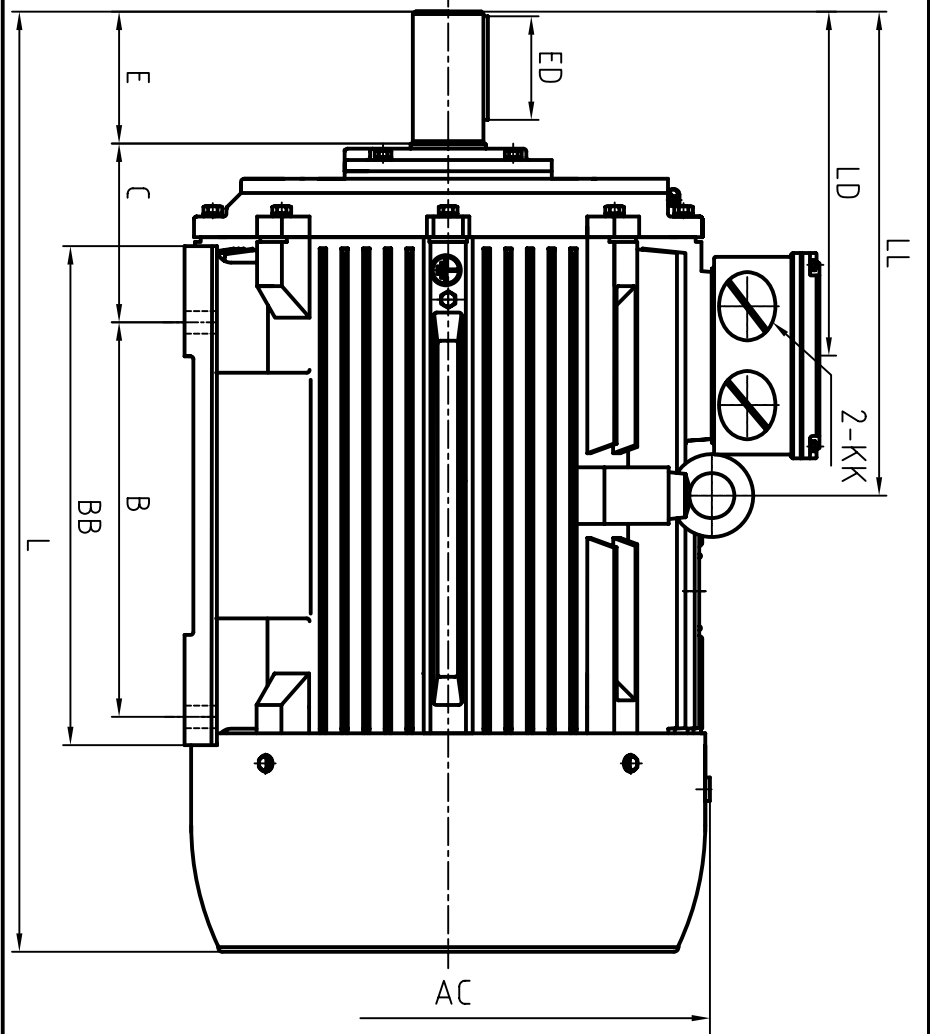
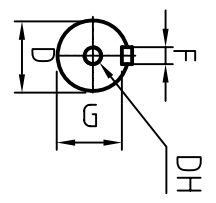


CLIENT:			
FRAME		KW	
VOLTS		RPM	



OUTLINE DIMENSIONS FOOT MOUNTED MOTORS

SHAFT EXT. IDE ONLY

WEIGHT

A	457	B	368(280S)	HA	35	D	$\phi 75^{+0.030}_{+0.011}$	E	140	F	20	G	$67.5^{0}_{-0.2}$
AA	109	BB	535	HB	602	DH	M20X42	ED	110				
AB	550	C	190	HD	685	E		F					
AC	$\phi 570$	H	280	K	$\phi 24$	LD		G					
		HA		KK	M63 X 1.5	LL							
		HB		L	1010								
		HD		LD	365								
		K		LL	514								
		KK											

CUSTOMER APPROVAL

SIGNATURE

DATE

2L-280 4.6.8P (B3)				DATE	20101027	CHK	CHK	Ou Fudong
DIMENSION OUTLINE				DRAWN	ZHANG HONG	APPD	APPD	Zhang Wenbin
ISSUE A	DATE	CERTIFIED BY		ISSUE B	DATE	CERTIFIED BY		
ISSUE C	DATE	CERTIFIED BY		ISSUE D	DATE	CERTIFIED BY		