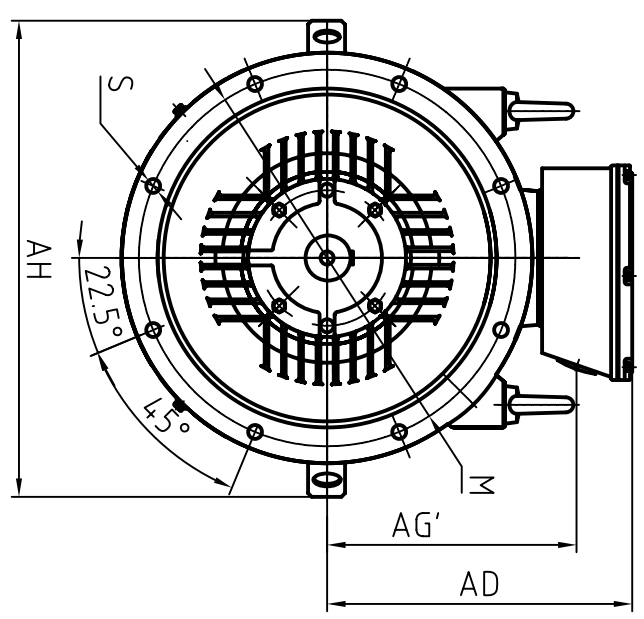
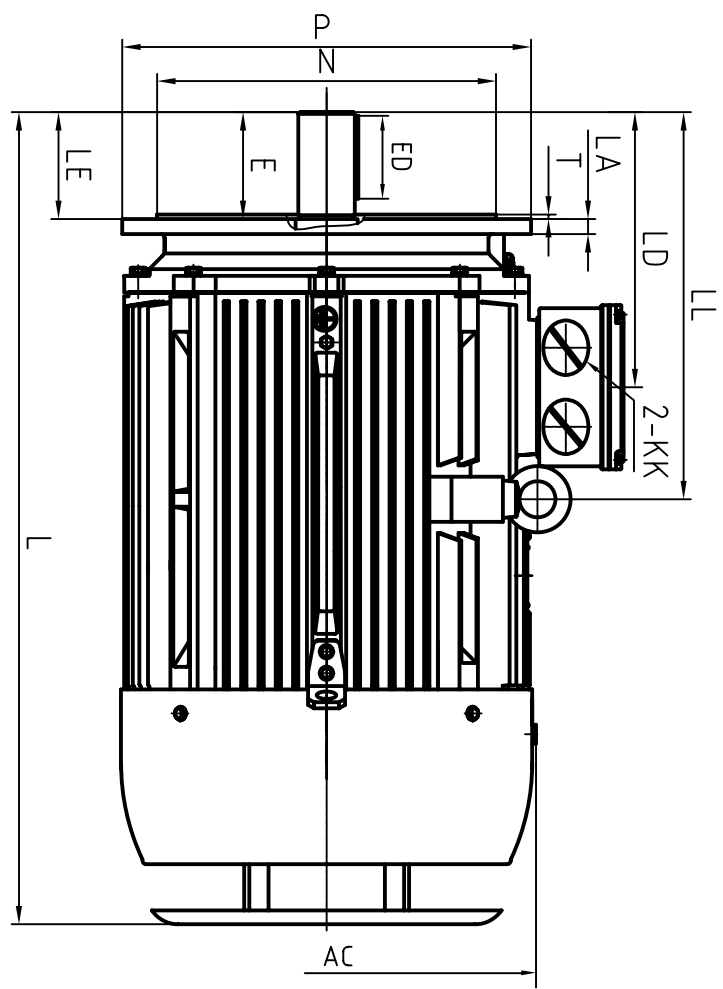


CLIENT:			
FRAME		KW	
VOLTS		RPM	



OUTLINE DIMENSIONS FOOT MOUNTED MOTORS

AC	AD	AG'	AH	KK	L	LA	LD	LE	LL	M	N	P	S	T
φ570	405	322	705	M63 X 1.5	1100	22	365	140	514	φ500	φ450	φ550	8×φ18.5	5

SHAFT EXT. IDE ONLY

D	DH	E	ED	F	G
φ65 ^{+0.030} _{+0.011}	M20×42	140	110	18	58 ⁰ _{-0.2}

WEIGHT

--

CUSTOMER APPROVAL _____ SIGNATURE _____ DATE _____

2L-280-2 P(V1)		DATE	20101027	CHK	Ou Fuqiang
DIMENSION OUTLINE		DRAWN	ZHANG HONG	APPD	Zhang Wenbin
ISSUE A	DATE			CERTIFIED BY	
ISSUE B	DATE			CERTIFIED BY	
ISSUE C	DATE			CERTIFIED BY	
ISSUE D	DATE			CERTIFIED BY	