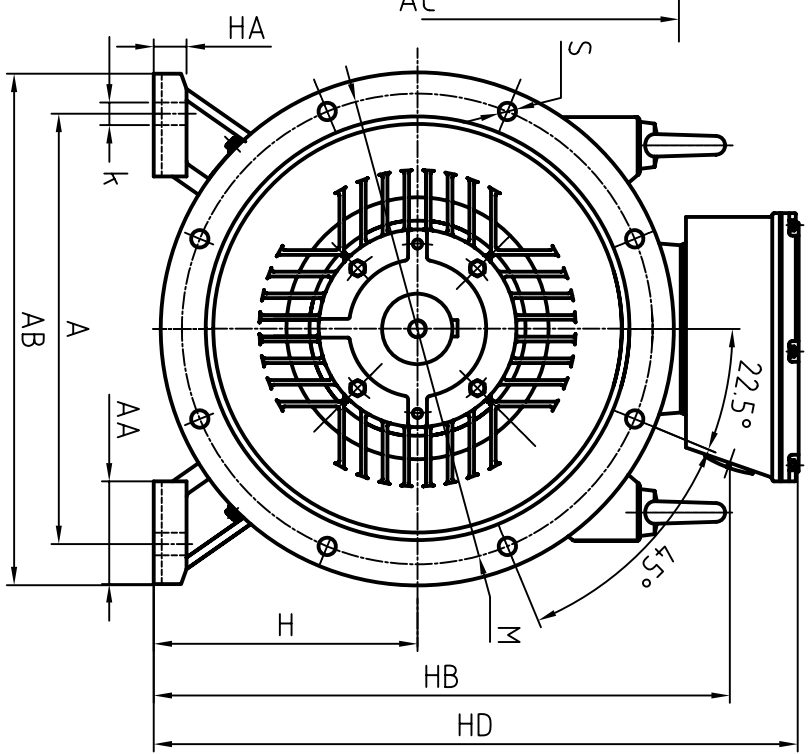
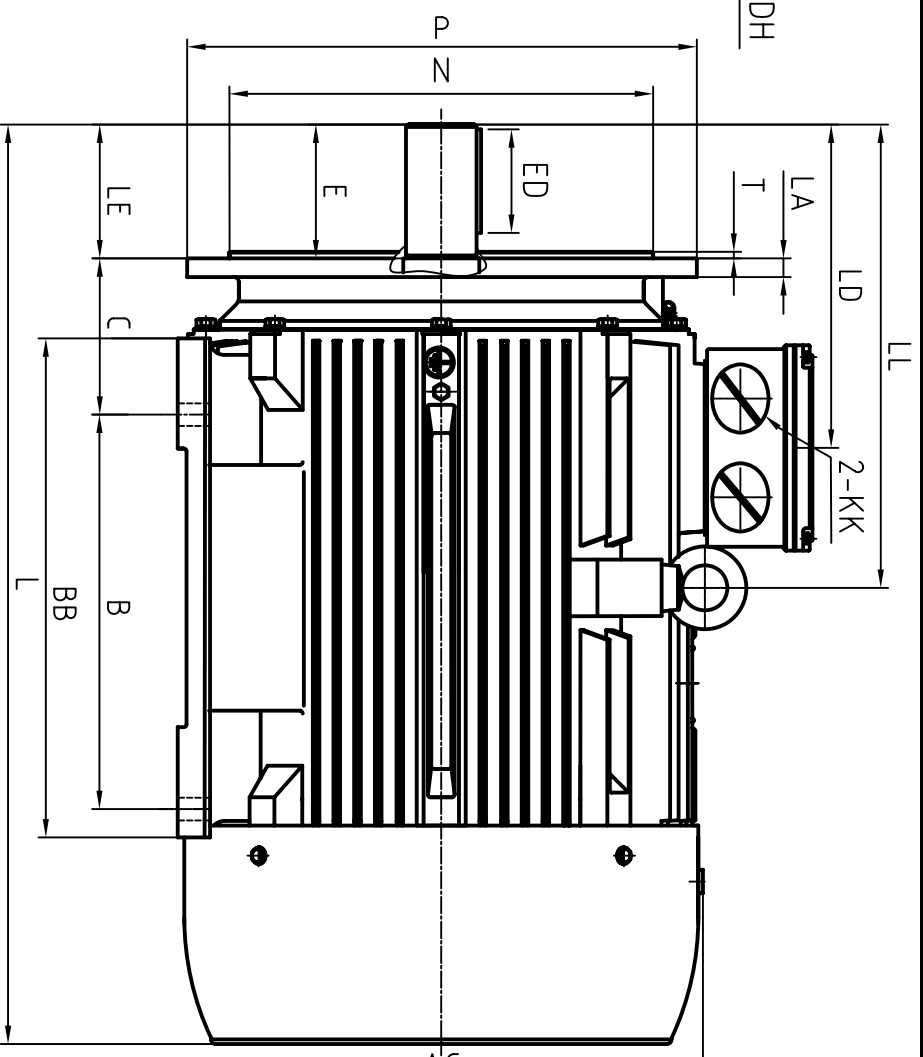
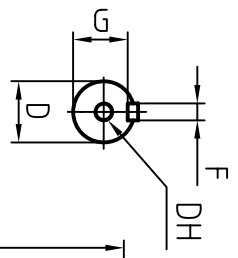


CLIENT:			
FRAME		KW	
VOLTS		RPM	



OUTLINE DIMENSIONS FOOT MOUNTED MOTORS

SHAFT EXT. DE ONLY

WEIGHT

A	457	BB	535	L	1020	D	φ65 ^{+0.030} _{+0.011}	E	140	F	18	G	58 ⁰ _{-0.2}
AA	109	C	190	LA	22	DH	M20×42	ED	110				
AB	550	H	280	LD	365								
AC	φ570	HA	35										
B	368(280S) 419(280M)	HB	602										
BB		HD	685										
C		K	φ24										
H		KK	M63 X 1.5										
HA		L	1020										
HB		LA	22										
HD		LD	365										
K													
KK													
L													
LA													
LD													

140	LE
514	LL
φ500	M
φ450	N
φ550	P
8×φ18.5	S
5	T

CUSTOMER APPROVAL _____
SIGNATURE _____ DATE _____

2L-280-2P (B35) DIMENSION OUTLINE		DATE	20101027	CHK	Ou Huadong
ISSUE A	DATE	ISSUE B	DATE	CERTIFIED BY	
ISSUE C	DATE	ISSUE D	DATE	CERTIFIED BY	
				CERTIFIED BY	Zhang Wenbin