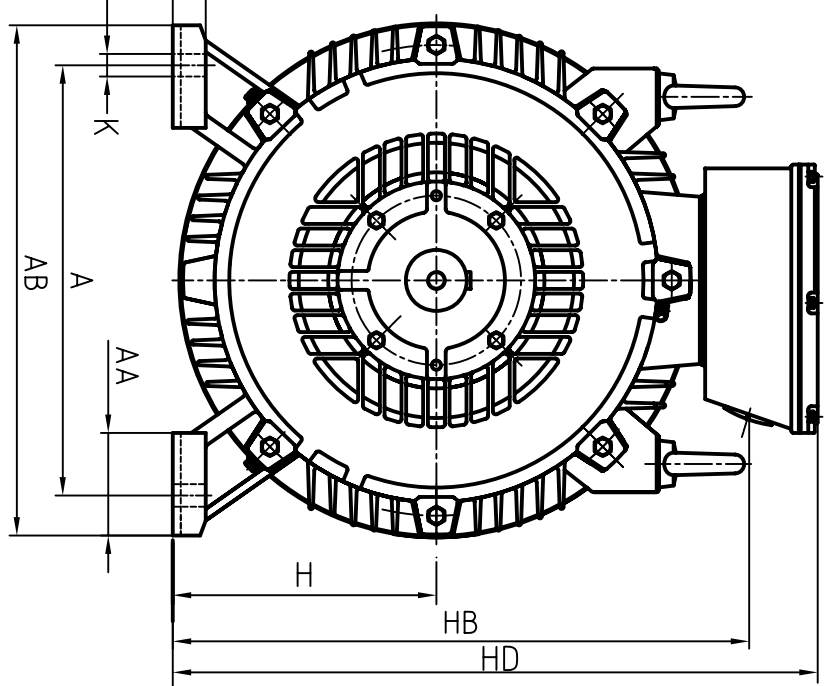
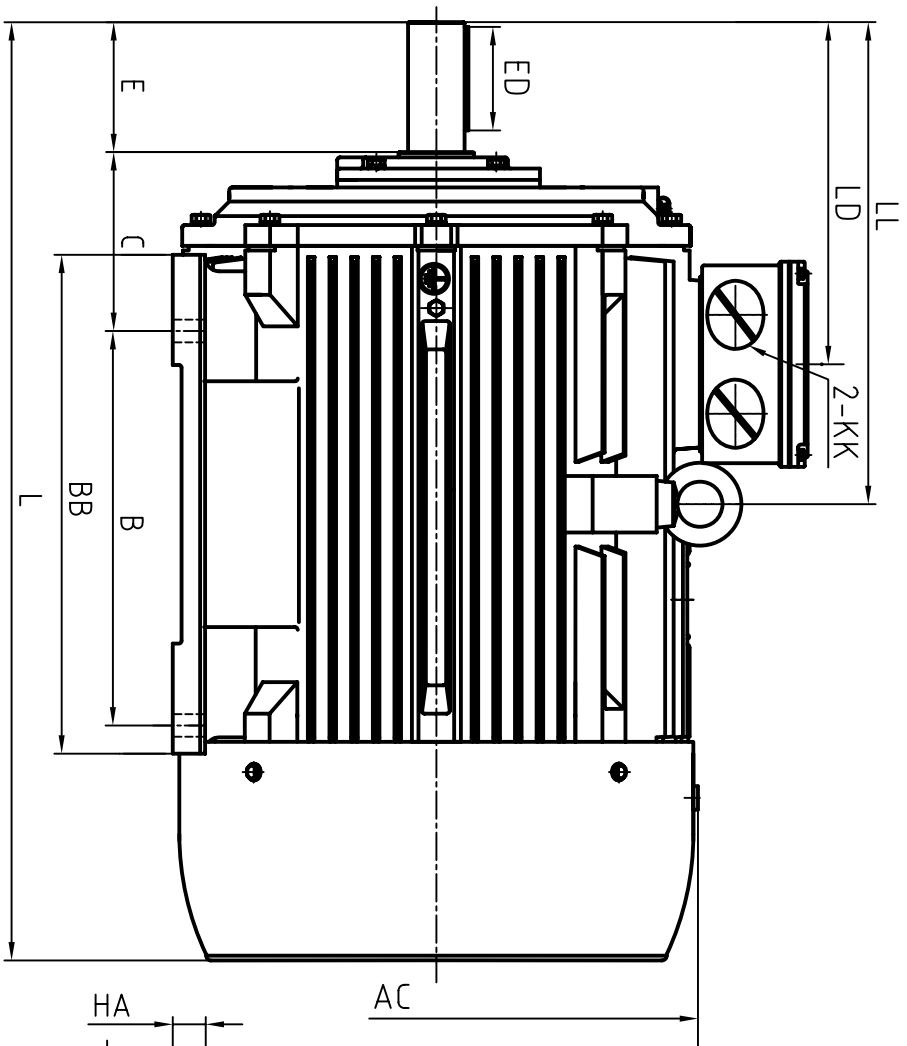


CLIENT:			
FRAME		KW	
VOLTS		RPM	



OUTLINE DIMENSIONS FOOT MOUNTED MOTORS

A	457	B	368(280S)	HA	35	D	$\phi 65^{+0.030}_{+0.011}$	E	140	H	58 <sup>0</sup> <sub>-0.2</sub>
AA	109	BB	535	HB	602	DH	M20×42	ED	110	HD	
AB	550	C	190	HD	685	E		F	18		
AC	$\phi 570$	H	280	K	$\phi 24$	AA		G			
		HA		KK	M63 X 1.5	AB					
		LD	419(280M)	L	1020	A					
		LL		LD	365	AA					

SHAFT EXT. IDE ONLY

WEIGHT

CUSTOMER APPROVAL

SIGNATURE

DATE

2L-280 2P(B3)

DIMENSION OUTLINE

DATE	20101027	CHK	CHK	Quf Huang
DRAWN	ZHANG HONG	APPD	APPD	Zhang Weibin
ISSUE A	DATE		CERTIFIED BY	
ISSUE B	DATE		CERTIFIED BY	
ISSUE C	DATE		CERTIFIED BY	
ISSUE D	DATE		CERTIFIED BY	