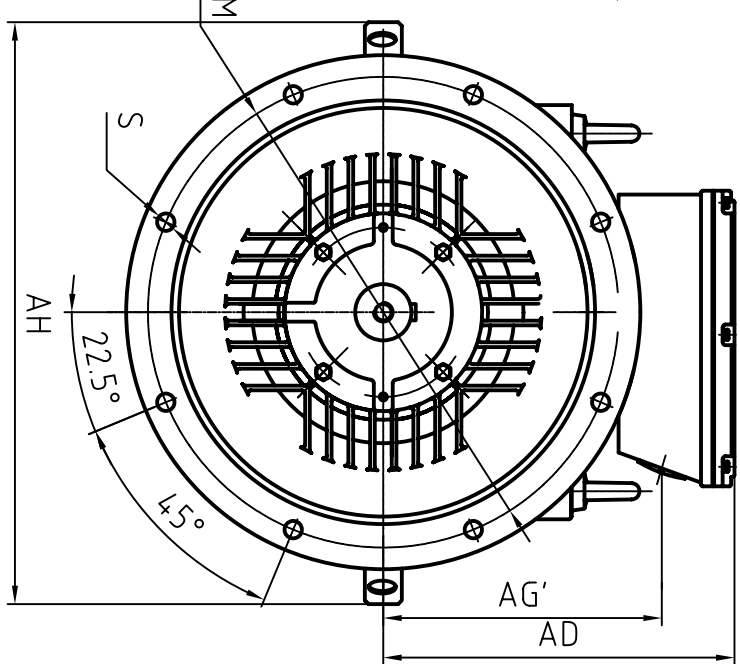
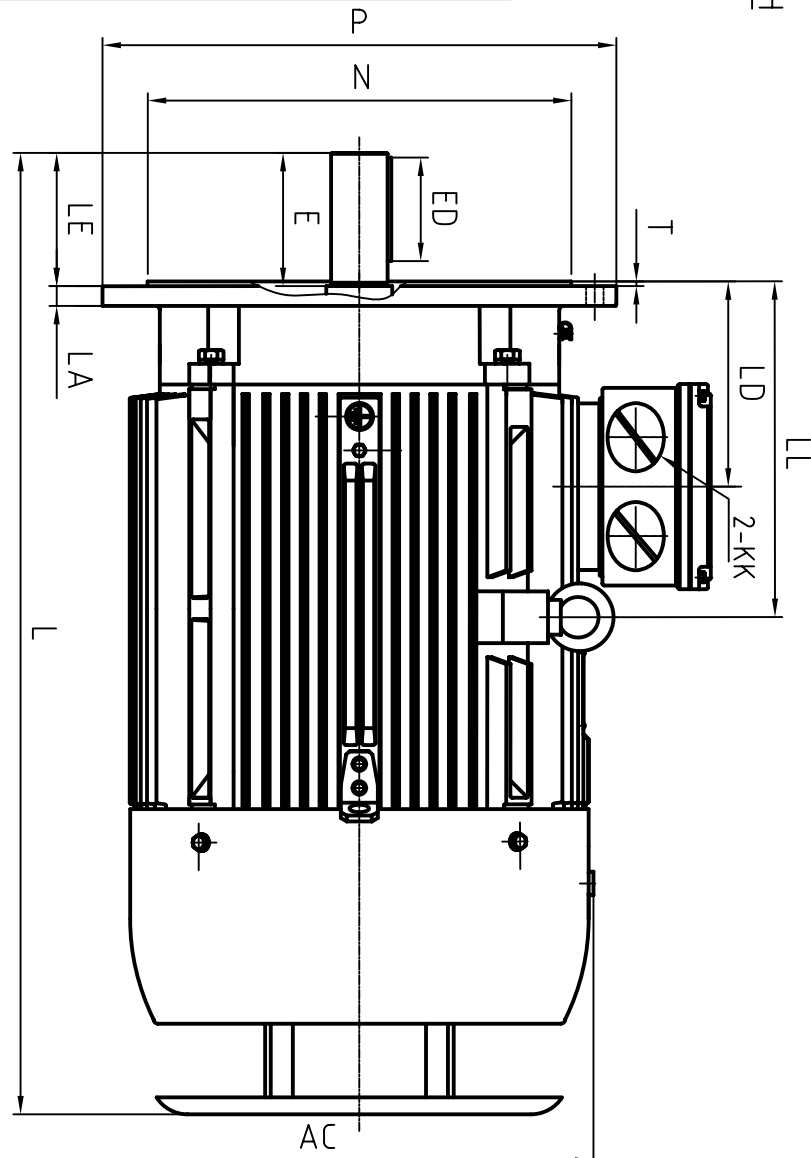


CLIENT:			
FRAME		KW	
VOLTS		RPM	



OUTLINE DIMENSIONS FOOT MOUNTED MOTORS

AC	AD	AG'	AH	KK	L	LA	LD	LE	LL	M	N	P	S	T
φ520	375	293	645	M63 X 1.5	1032	21	353	140	491.5	φ500	φ450	φ550	8×φ18.5	5

SHAFT EXT. DE ONLY

D	DH	E	ED	F	G
φ65 <sup>+0.030</sup> / <sub>+0.011</sub>	M20×42	140	110	18	58 <sup>0</sup> / <sub>-0.2</sub>

WEIGHT

--	--	--	--	--	--

CUSTOMER APPROVAL

SIGNATURE

DATE

2L-250-4.6.8P(V1)  
DIMENSION OUTLINE

DATE	20101027	CHK	CHK	Qi Huaqiang
DRAWN	SUNXIAOJUN	APPD	APPD	Zhang Weibin
ISSUE A	DATE		CERTIFIED BY	
ISSUE B	DATE		CERTIFIED BY	
ISSUE C	DATE		CERTIFIED BY	
ISSUE D	DATE		CERTIFIED BY	