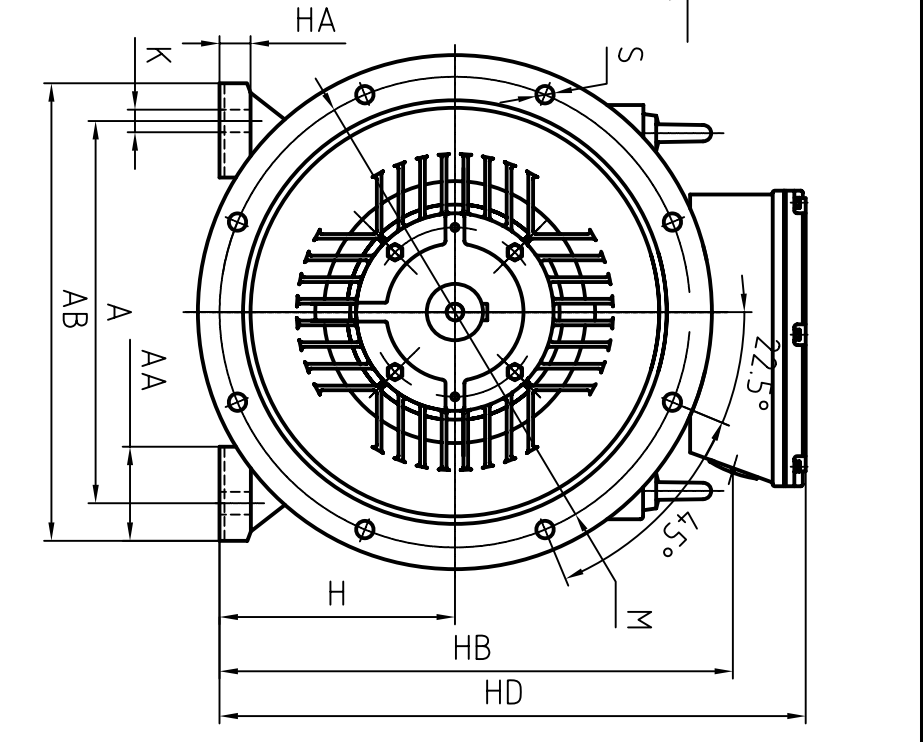
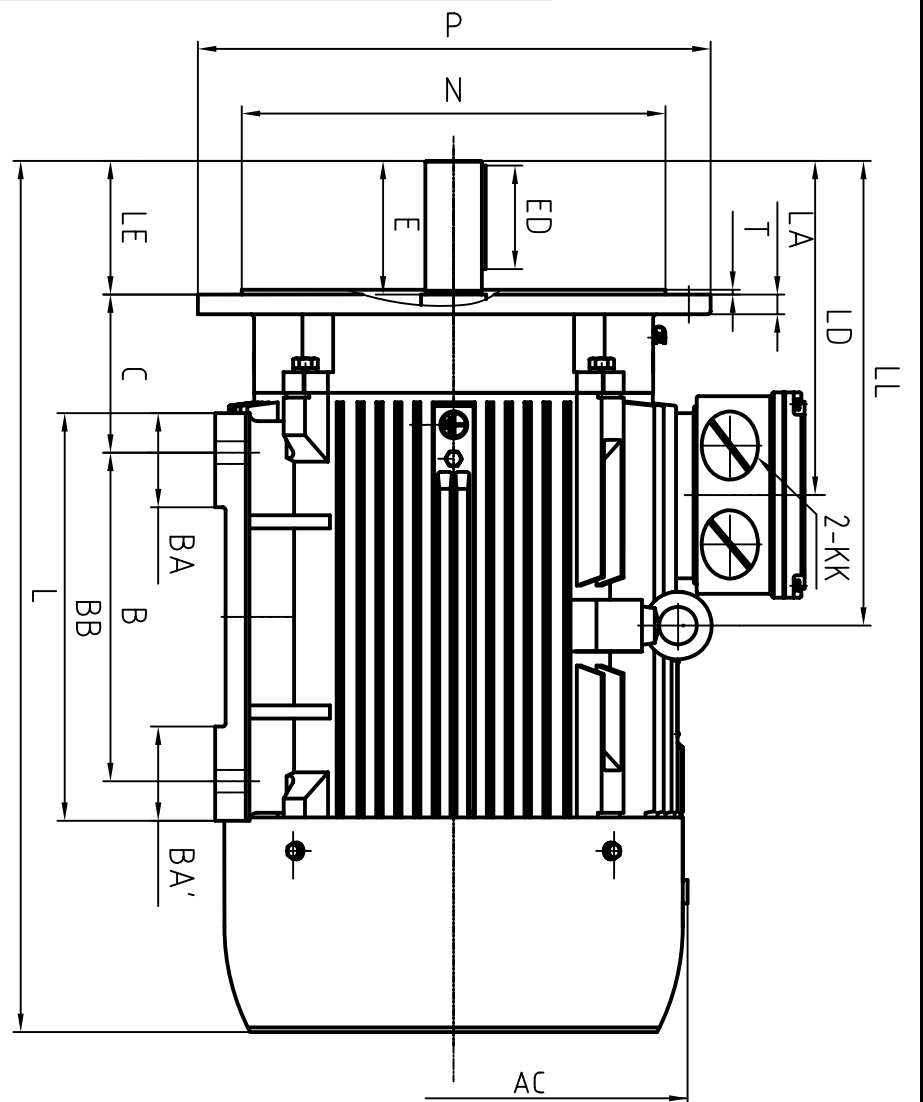
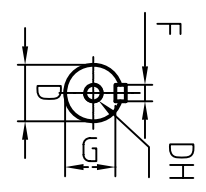


CLIENT:			
FRAME		KW	
VOLTS		RPM	



OUTLINE DIMENSIONS FOOT MOUNTED MOTORS

SHAFT EXT. DE ONLY

WEIGHT

A	406
AA	88
AB	495
AC	φ520
B	349
BA	110
BA'	110
BB	440
C	168
H	250
HA	33
HB	542.5
HD	625
K	φ24
KK	M63 X 1.5
L	952
LA	21
LD	353
D	φ65 <sup>+0.030</sup> / <sub>+0.011</sub>
DH	M20 X 4.2
E	140
ED	110
F	18
G	58 <sup>0</sup> / <sub>-0.2</sub>

LE	140
LL	491.5
M	φ500
N	φ450
P	φ550
S	8 X φ18.5
T	5

CUSTOMER APPROVAL \_\_\_\_\_ SIGNATURE \_\_\_\_\_ DATE \_\_\_\_\_

2L-250-4.6.8P(B35)		DIMENSION OUTLINE	
DATE	20101027	CHK	Ou Fudong
DRAWN	sunxiaojun	APPD	Zhang Wenbin
ISSUE A	DATE	CERTIFIED BY	
ISSUE B	DATE	CERTIFIED BY	
ISSUE C	DATE	CERTIFIED BY	
ISSUE D	DATE	CERTIFIED BY	