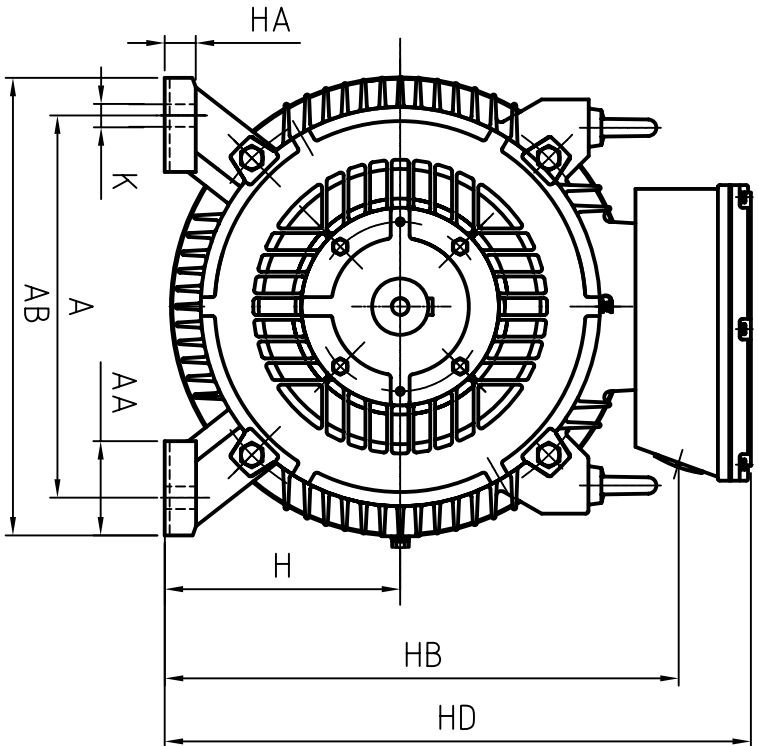
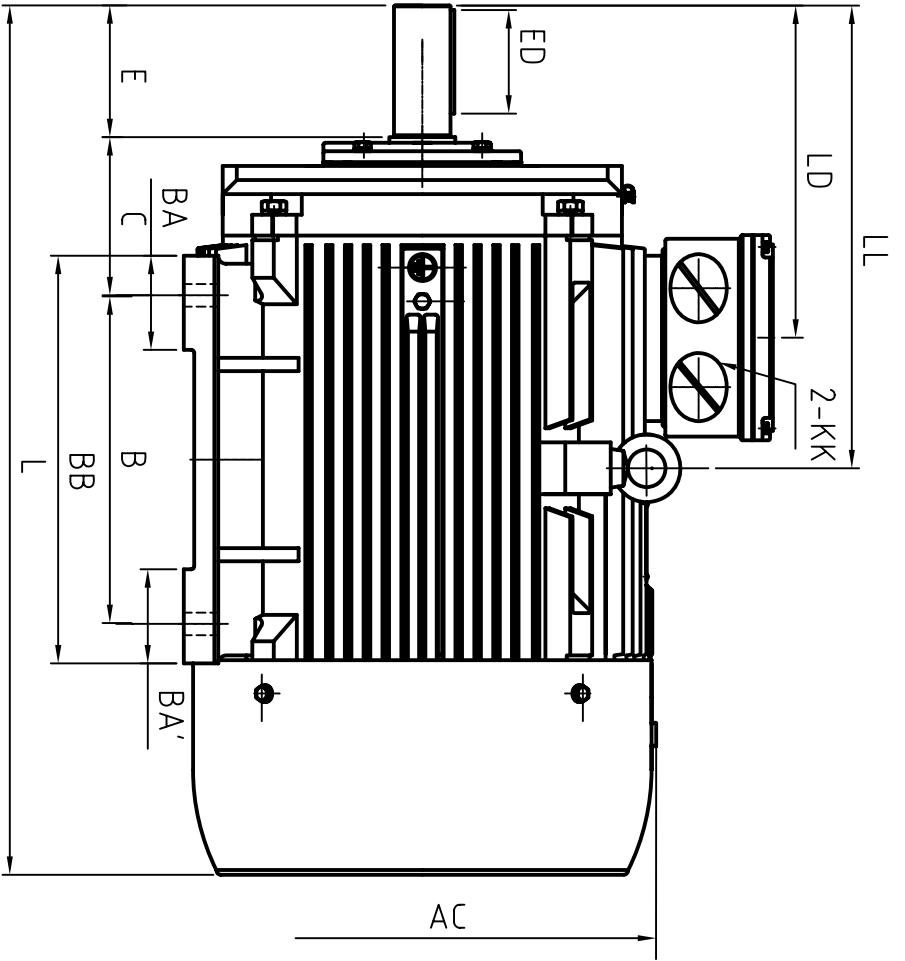


CLIENT:			
FRAME		KW	
VOLTS		RPM	



OUTLINE DIMENSIONS FOOT MOUNTED MOTORS

SHAFT EXT. DE ONLY

WEIGHT

A	406	D	$\phi 65^{+0.030}_{+0.011}$
AA	88	DH	M20×42
AB	495	E	140
AC	$\phi 520$	ED	110
B	349	F	18
BA	110	G	$58^{0}_{-0.2}$
BA'	110		
BB	440		
C	168		
H	250		
HA	33		
HB	543		
HD	625		
K	$\phi 24$		
KK	M63 X 1.5		
L	952		
LD	353		
LL	491.5		

CUSTOMER APPROVAL

SIGNATURE

DATE

2L-250-4,6,8P(B3)
DIMENSION OUTLINE

DATE	20101027	CHK	CHK
DRAWN	SUNXIAOJUN	APPD	APPD
ISSUE A	DATE	CERTIFIED BY	Zhang Wenbin
ISSUE B	DATE	CERTIFIED BY	
ISSUE C	DATE	CERTIFIED BY	
ISSUE D	DATE	CERTIFIED BY	