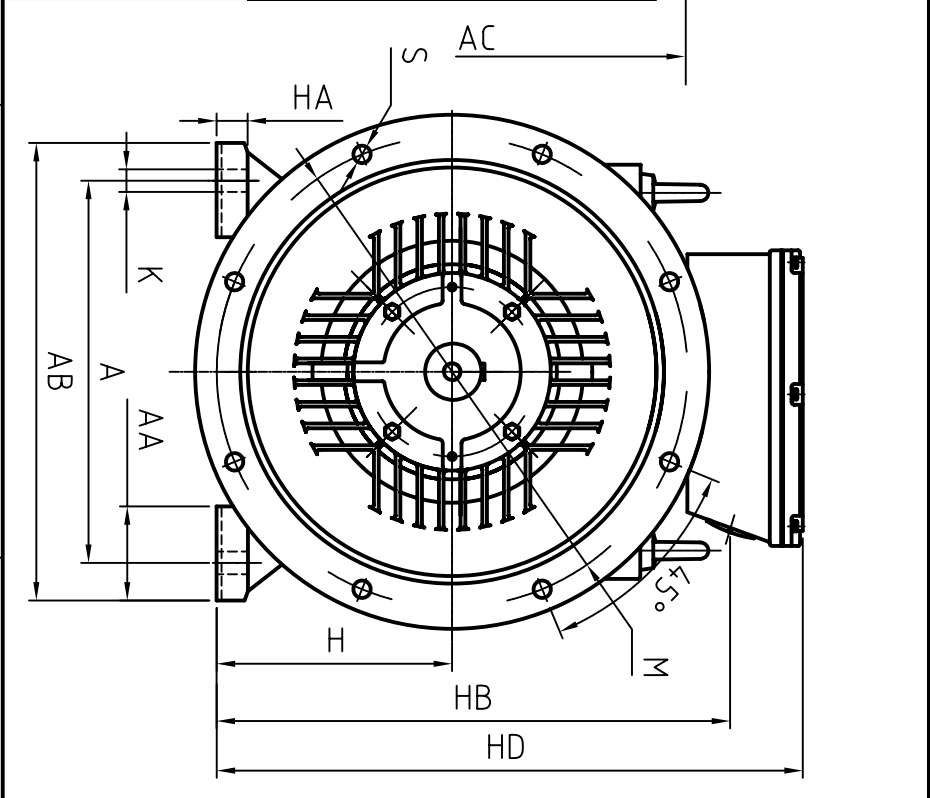
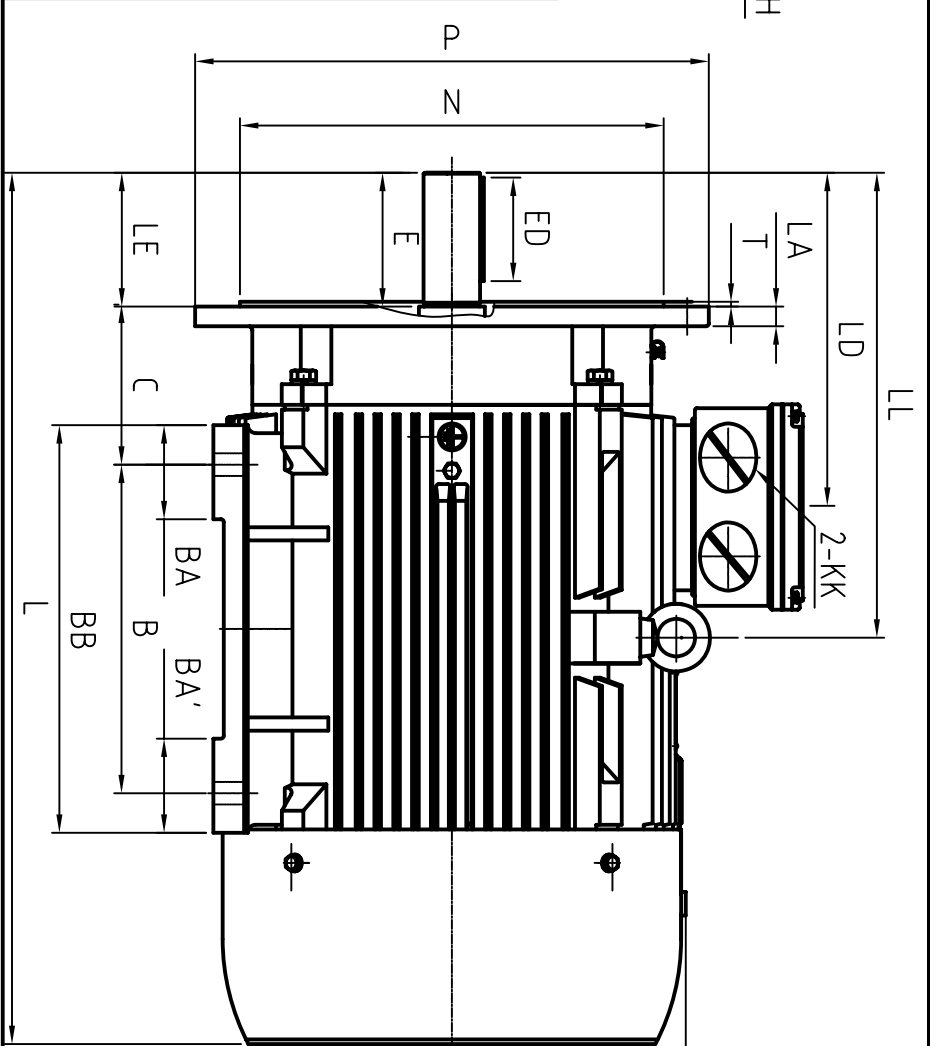
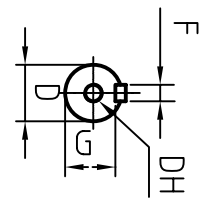


CLIENT:			
FRAME		KW	
VOLTS		RPM	



OUTLINE DIMENSIONS FOOT MOUNTED MOTORS

SHAFT EXT. DE ONLY

WEIGHT

A	406
AA	88
AB	495
AC	φ520
B	349
BA	110
BA'	110
BB	440
C	168
H	250
HA	33
HB	543
HD	625
K	φ24
KK	M63 X 1.5
L	946
LD	353
LL	491.5
D	φ60 ^{+0.030} / _{+0.011}
DH	M20X42
E	140
ED	110
F	18
G	53 ⁰ / _{-0.2}

LA	21
LE	140
M	φ500
N	φ450
P	φ550
S	8Xφ18.5
T	5

CUSTOMER APPROVAL _____ SIGNATURE _____ DATE _____

2L-250-2P (B35)		DATE		20101027		CHK		Ou Hudong	
DIMENSION OUTLINE		DRAWN		SUNYIAOJUN		APPD		Zhang Wenbin	
ISSUE A	DATE	ISSUE B	DATE	CERTIFIED BY		CERTIFIED BY		CERTIFIED BY	
ISSUE C	DATE	ISSUE D	DATE	CERTIFIED BY		CERTIFIED BY		CERTIFIED BY	