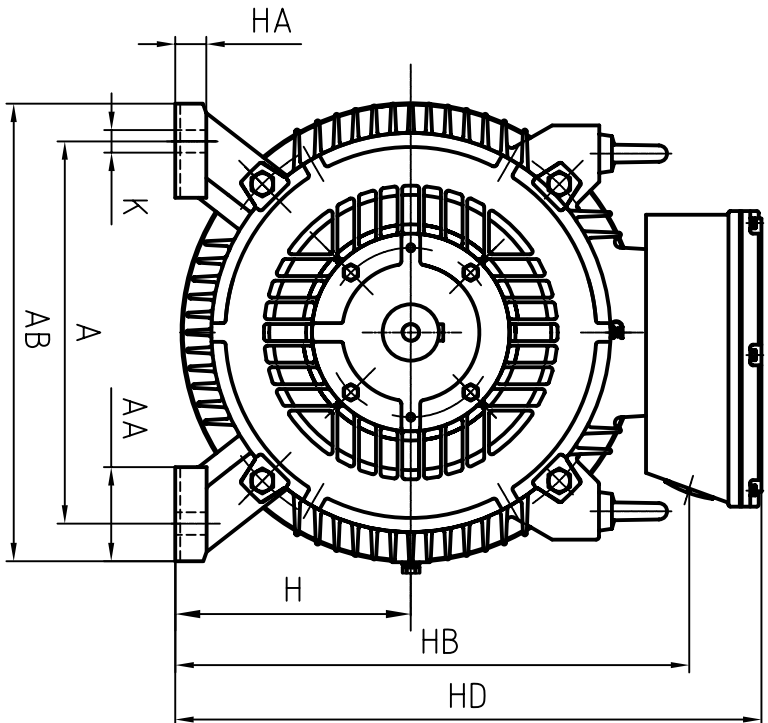
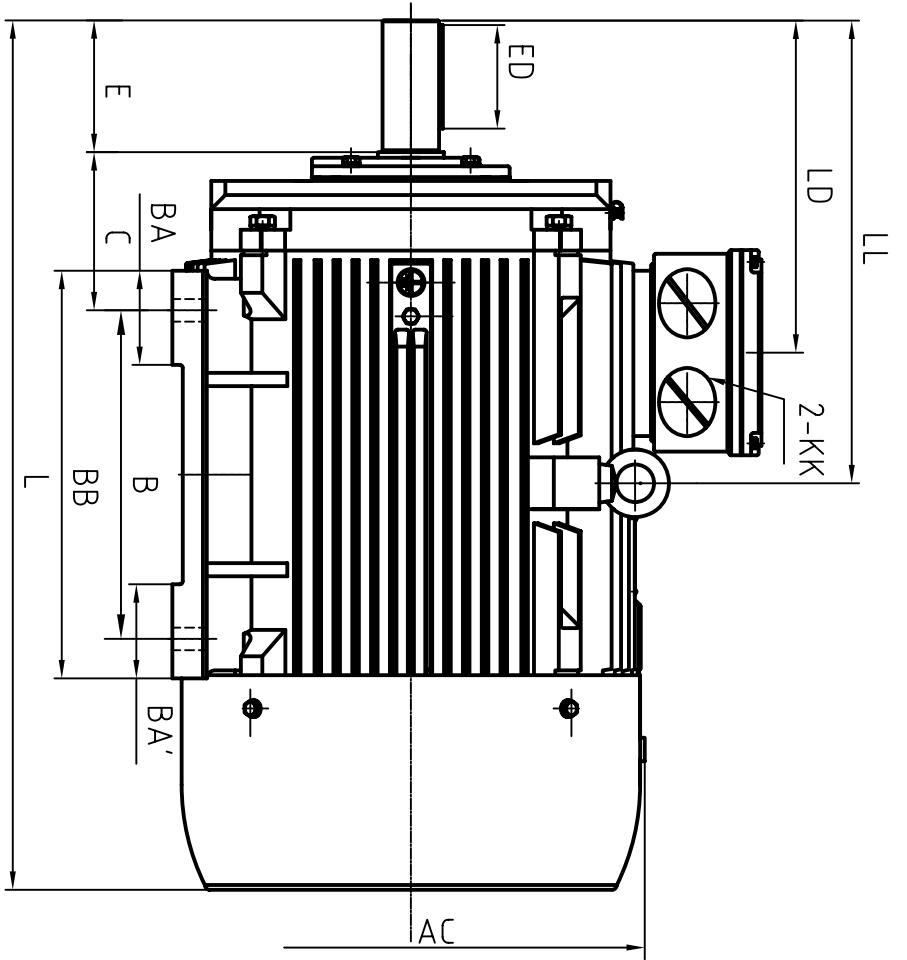


CLIENT:			
FRAME		KW	
VOLTS		RPM	



406	A
88	AA
495	AB
φ520	AC
349	B
110	BA
110	BA'
440	BB
168	C
250	H
33	HA
543	HB
625	HD
φ24	K
M63 X 1.5	KK
946	L
353	LD
491.5	LL

φ60 <sup>+0.030</sup> / <sub>+0.011</sub>	D
M20×42	DH
140	E
110	ED
18	F
53 <sup>0</sup> / <sub>-0.2</sub>	G

OUTLINE DIMENSIONS FOOT MOUNTED MOTORS

SHAFT EXT. IDE ONLY

WEIGHT

CUSTOMER APPROVAL \_\_\_\_\_  
 SIGNATURE \_\_\_\_\_  
 DATE \_\_\_\_\_

2L-250-2 P(B3) DIMENSION OUTLINE		DATE	20101027	CHK	OU Fudong	
		DRAWN	SUNWUJUN	APPD	Zhang Wenbin	
		ISSUE A	DATE		CERTIFIED BY	
		ISSUE B	DATE		CERTIFIED BY	
		ISSUE C	DATE		CERTIFIED BY	
ISSUE D	DATE		CERTIFIED BY			