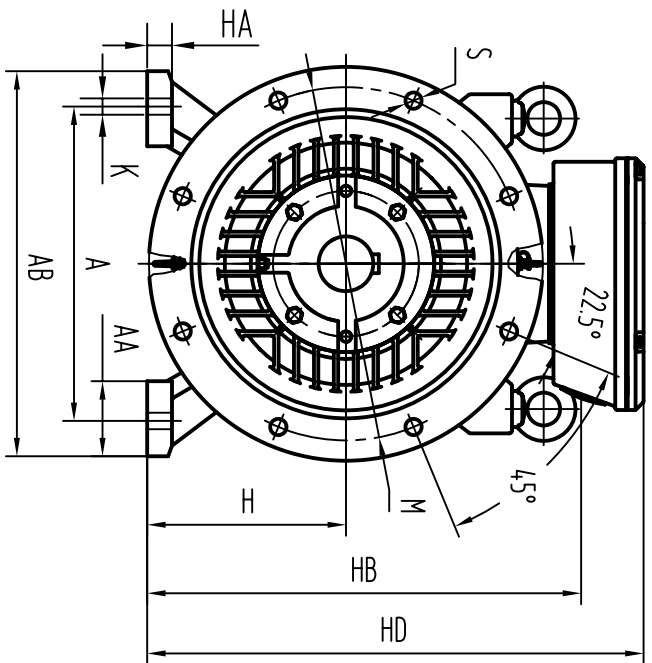
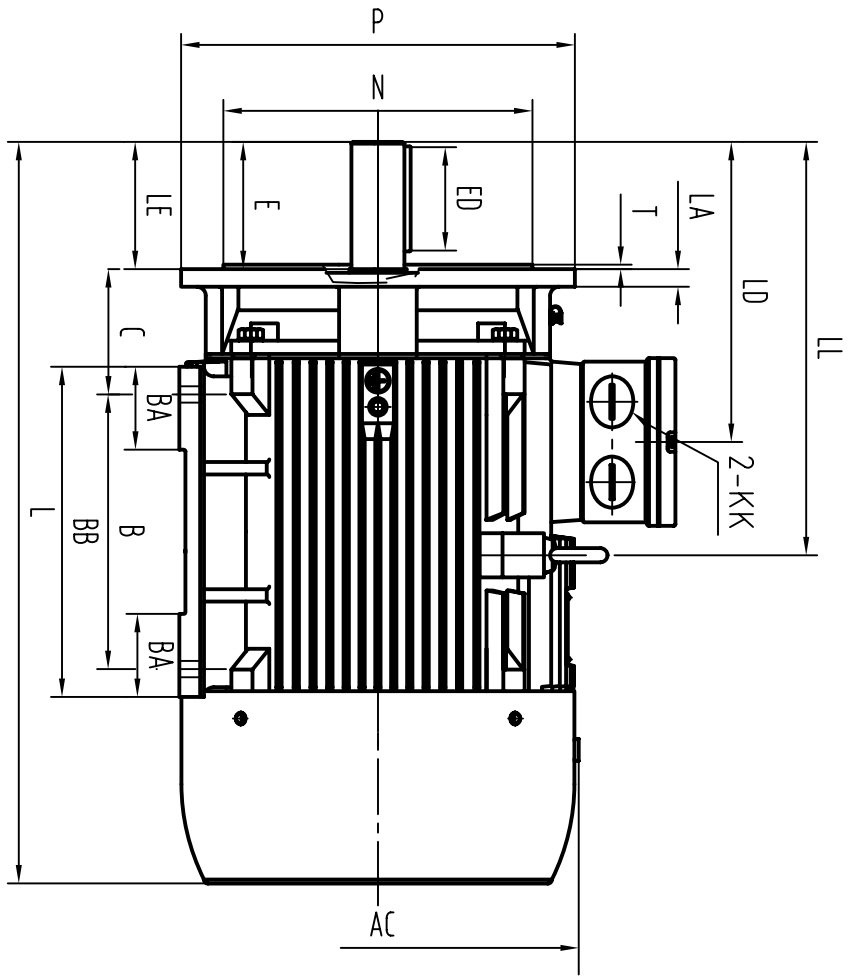


CLIENT:			
FRAME		KW	
VOLTS		RPM	



OUTLINE DIMENSIONS FOOT-FLANGE MOUNTED MOTORS

SHAFT EXT. DE ONLY

WEIGHT

A	356
AA	80
AB	436
AC	φ465
B	311
BA	88
BB	380
C	149
H	225
HA	28
HB	491
HD	560
K	φ18.5
KK	M50×1.5
L	861
LA	20
LD	310
LE	110
D	φ55 ^{+0.030} / _{+0.011}
DH	M20×42
E	110
ED	90
F	16
G	49 ⁰ / _{-0.2}

LL	438.5
M	φ400
N	φ350
P	φ450
S	8×φ18.5
T	5

CUSTOMER APPROVAL

SIGNATURE

DATE

2L-225 M 2P (B35)

DIMENSION OUTLINE

DATE	20101027	CHK	Qu Huang
DRAWN	suniaojun	APPD	Zhang Weibin
ISSUE A	DATE	CERTIFIED BY	
ISSUE B	DATE	CERTIFIED BY	
ISSUE C	DATE	CERTIFIED BY	
ISSUE D	DATE	CERTIFIED BY	