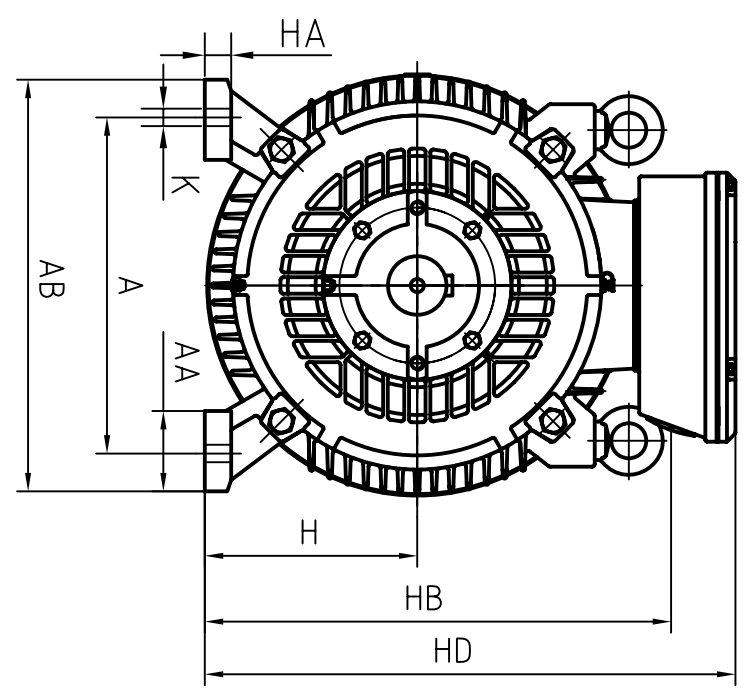
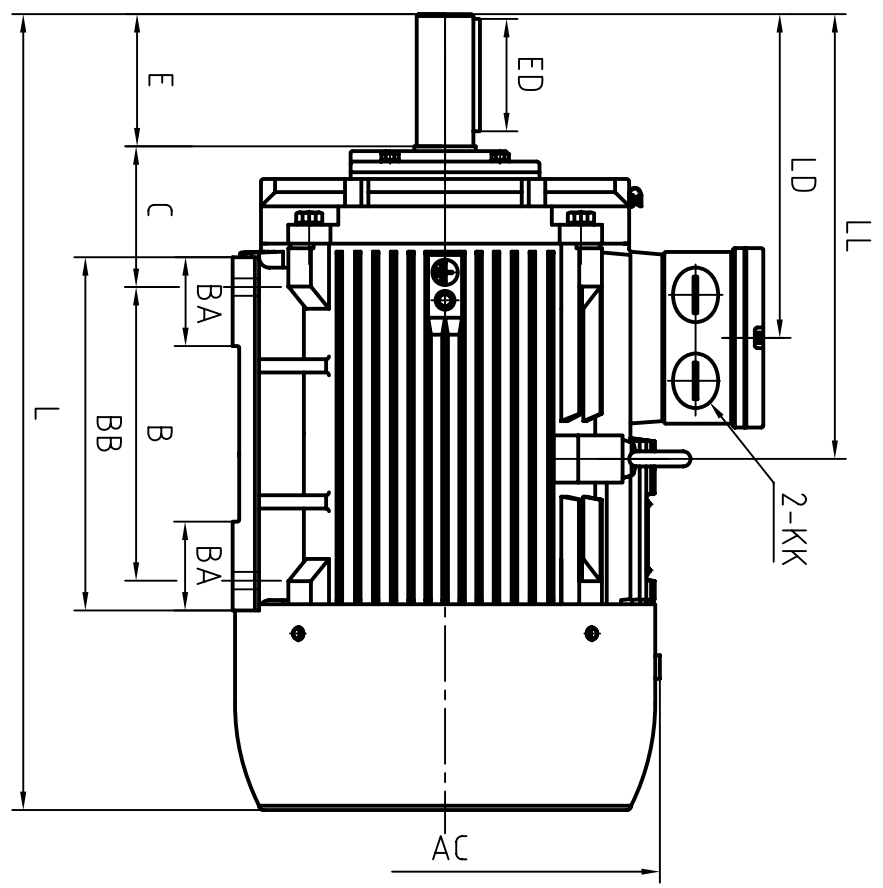


CLIENT:			
FRAME		KW	
VOLTS		RPM	



OUTLINE DIMENSIONS FOOT MOUNTED MOTORS

A	356
AA	80
AB	436
AC	φ465
B	311
BA	88
BB	380
C	149
H	225
HA	28
HB	491
HD	560
K	φ18.5
KK	M50×1.5
L	861
LD	310
LL	438.5
D	φ55 <sup>+0.030</sup> / <sub>+0.011</sub>
DH	M20×4.2
E	110
ED	90
F	16
G	4.9 <sup>0</sup> / <sub>0.2</sub>

SHAFT EXT. DE ONLY

WEIGHT

CUSTOMER APPROVAL \_\_\_\_\_  
SIGNATURE \_\_\_\_\_ DATE \_\_\_\_\_

2L-225 M 2P (B3)		DATE 2010/027		CHK		Ou Hudong	
DIMENSION OUTLINE		DRAWN SUNWUJUN		APPD		Zheng Weixin	
ISSUE A	DATE	CERTIFIED BY	ISSUE B	DATE	CERTIFIED BY	ISSUE C	DATE
ISSUE D	DATE	CERTIFIED BY					