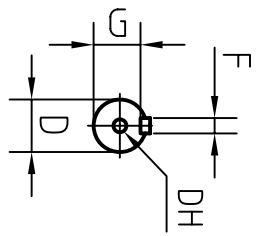
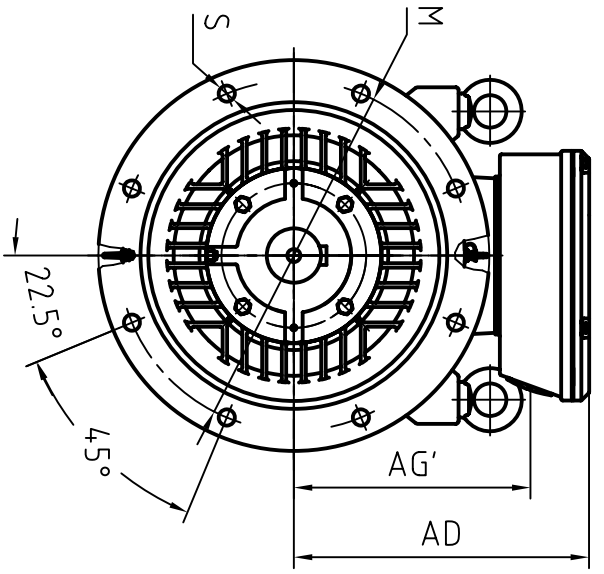
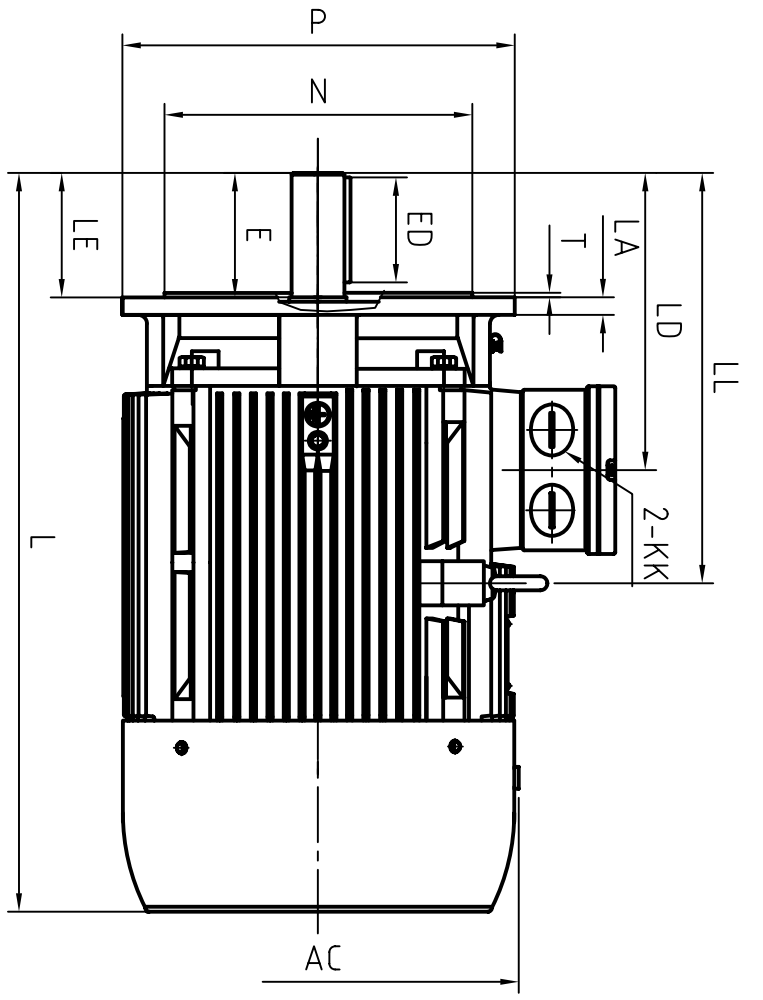


| | | | |
|---------|--|-----|--|
| CLIENT: | | | |
| FRAME | | KW | |
| VOLTS | | RPM | |



OUTLINE DIMENSIONS FLANGE MOUNTED MOTORS



| | |
|-----|---|
| AC | φ465 |
| AD | 335 |
| AG' | 266 |
| LD | 340 |
| KK | M50×1.5 |
| L | 841(225S) |
| | 866(225M) |
| LL | 468.5 |
| LA | 20 |
| LE | 140 |
| M | φ400 |
| N | φ350 |
| P | φ450 |
| S | 8×18.5 |
| T | 5 |
| D | φ60 ^{+0.030} / _{+0.011} |
| DH | M20×4.2 |
| E | 140 |
| ED | 110 |
| F | 18 |
| G | 53 ⁰ / _{-0.2} |

SHAFT EXT. DE ONLY

WEIGHT

CUSTOMER APPROVAL _____
SIGNATURE _____
DATE _____

| | | | | | |
|--------------------------------------|----------|----------|----------|------|--------------|
| 2L-225 4-p (B5) DIMENSION OUTLINE | | DATE | 20101027 | CHK | CHK |
| DRAWN | SUNYUJUN | ISSUE A | DATE | | CERTIFIED BY |
| ISSUE B | DATE | ISSUE C | DATE | | CERTIFIED BY |
| ISSUE D | DATE | ISSUE ID | DATE | | CERTIFIED BY |
| | | | | APPD | Zhang Wenbin |
| | | | | | Ou Huiqiang |