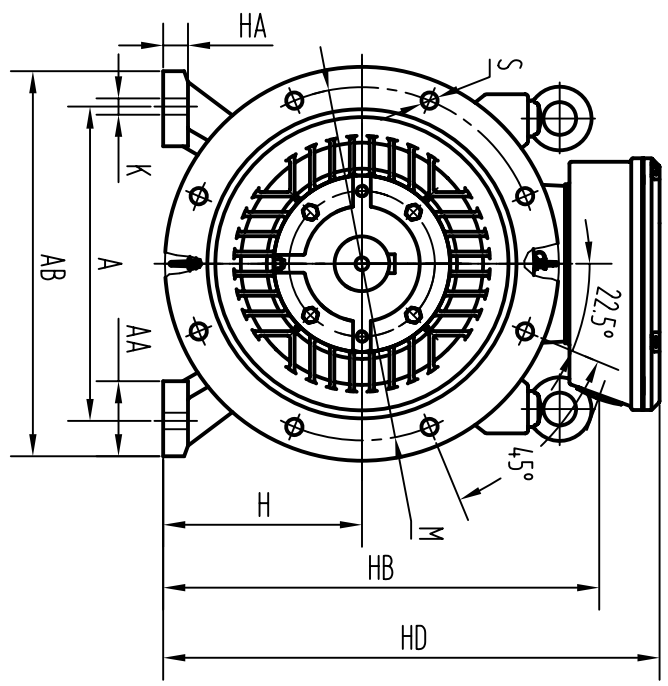
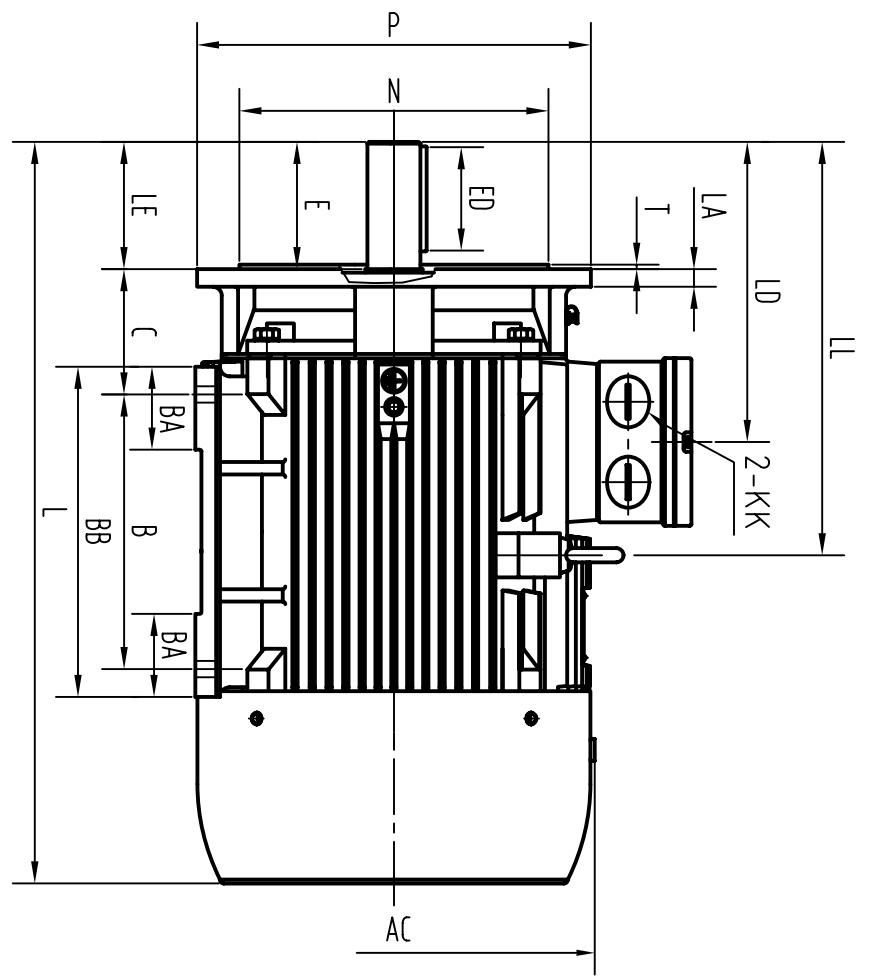
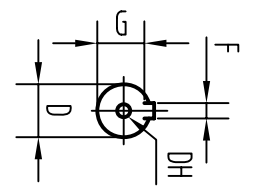


CLIENT:			
FRAME		KW	
VOLTS		RPM	



OUTLINE DIMENSIONS FOOT-FLANGE MOUNTED MOTORS

SHAFT EXT. DE ONLY

WEIGHT

A	356
AA	80
AB	436
AC	φ465
B	286(225S)
BA	311(225M)
BA	78(225S)
BA	88(225M)
BB	355(225S)
BB	380(225M)
C	149
H	225
HA	28
HB	491
HD	560
K	φ18.5
KK	M50×1.5
L	841(225S)
L	866(225M)
LA	20
D	φ60 ^{+0.030} / _{+0.011}
DH	M20×42
E	140
ED	110
F	18
G	53 ⁰ / _{-0.2}

LD	340
LE	140
LL	468.5
M	φ400
N	φ350
P	φ450
S	8×φ18.5
T	5

CUSTOMER APPROVAL _____
SIGNATURE _____
DATE _____

2L-225 4~8P (B35)		DATE		2010/027	CHK	Our Huang
DIMENSION OUTLINE		DRAWN	SUNWUJUN	APPD	Zhang Weibin	
ISSUE A	DATE	ISSUE B	DATE	CERTIFIED BY		
ISSUE C	DATE	ISSUE D	DATE	CERTIFIED BY		