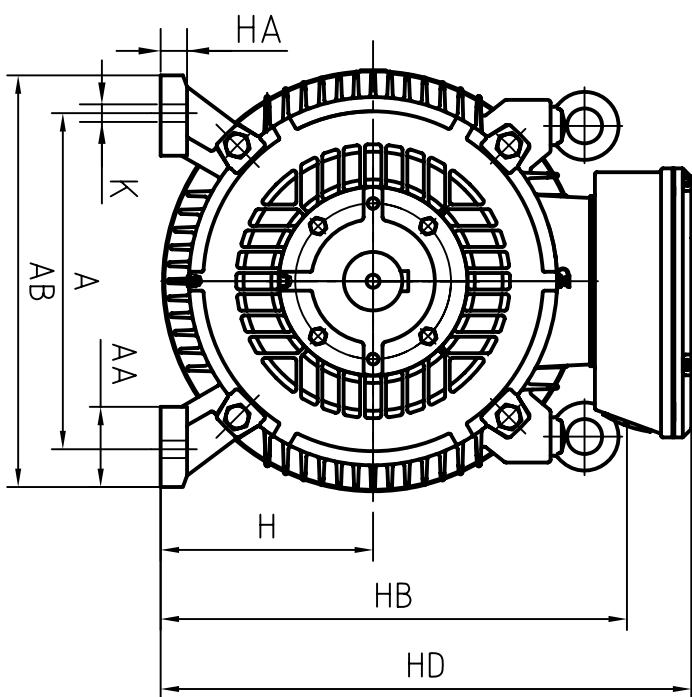
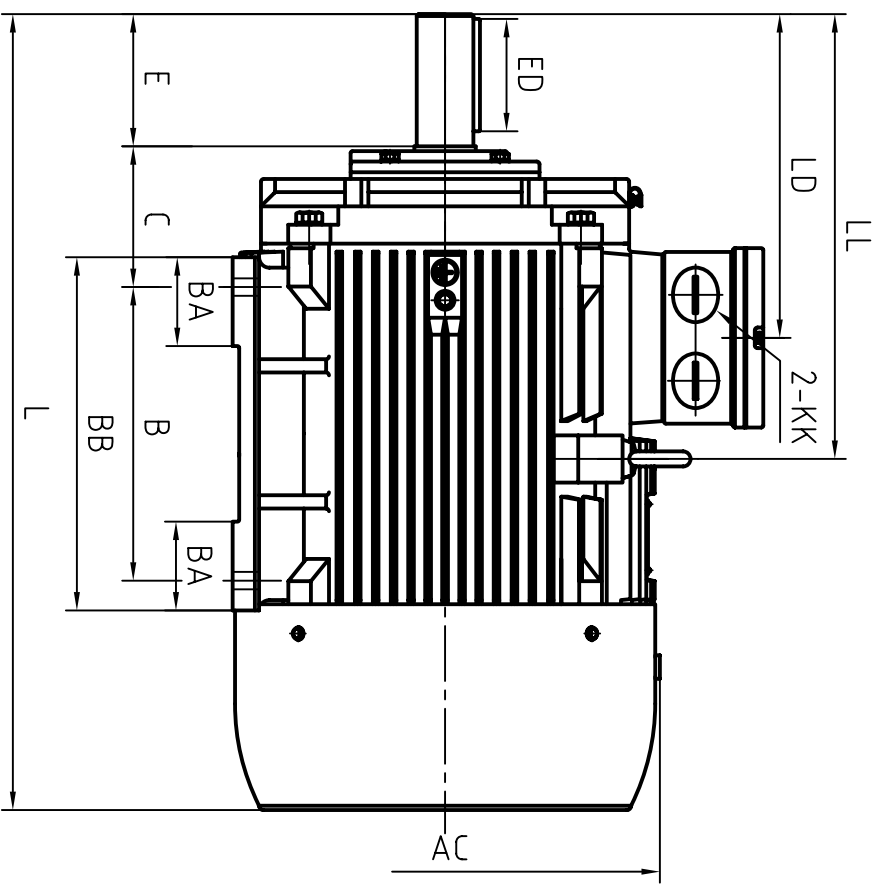
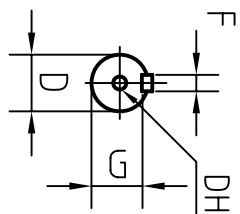


CLIENT:			
FRAME		KW	
VOLTS		RPM	



OUTLINE DIMENSIONS FOOT MOUNTED MOTORS

SHAFT EXT. DE ONLY

WEIGHT

A	356
AA	80
AB	436
AC	∅465
B	286(225S)
BA	311(225M)
BB	78(225S)
C	88(225M)
H	355(225S)
HA	380(225M)
HB	149
HD	225
K	28
KK	491
L	560
D	∅18.5
DH	M50×1.5
E	841(225S)
ED	866(225M)
F	∅60 ^{+0.030} / _{+0.011}
G	M20×4.2
	140
	110
	18
	53 ⁰ / _{-0.2}

340	LD	356	A
468.5	LL	80	AA
CUSTOMER APPROVAL			
2L-225 4-8 P (B3) DIMENSION OUTLINE			
DRAWN	SUNWUJUN	APPD	APPD
ISSUE A	DATE	CERTIFIED BY	CERTIFIED BY
ISSUE B	DATE	CERTIFIED BY	CERTIFIED BY
ISSUE C	DATE	CERTIFIED BY	CERTIFIED BY
ISSUE D	DATE	CERTIFIED BY	CERTIFIED BY
Our Headong Zhong Weixin			