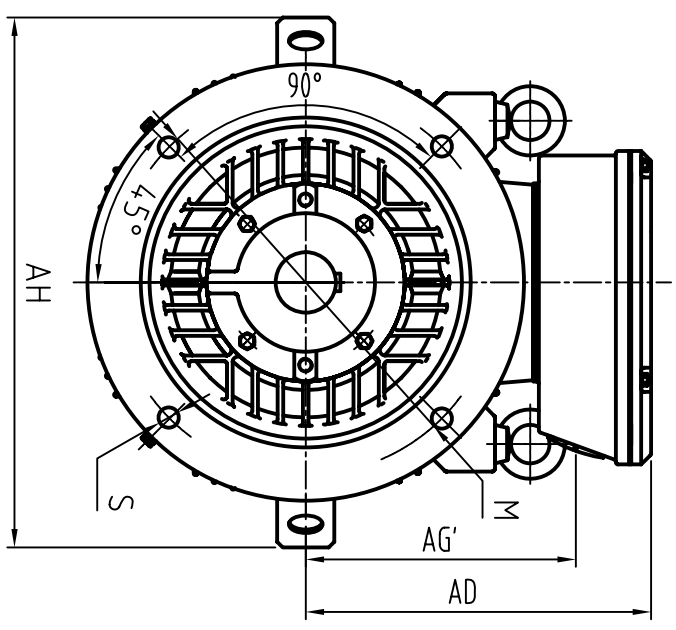
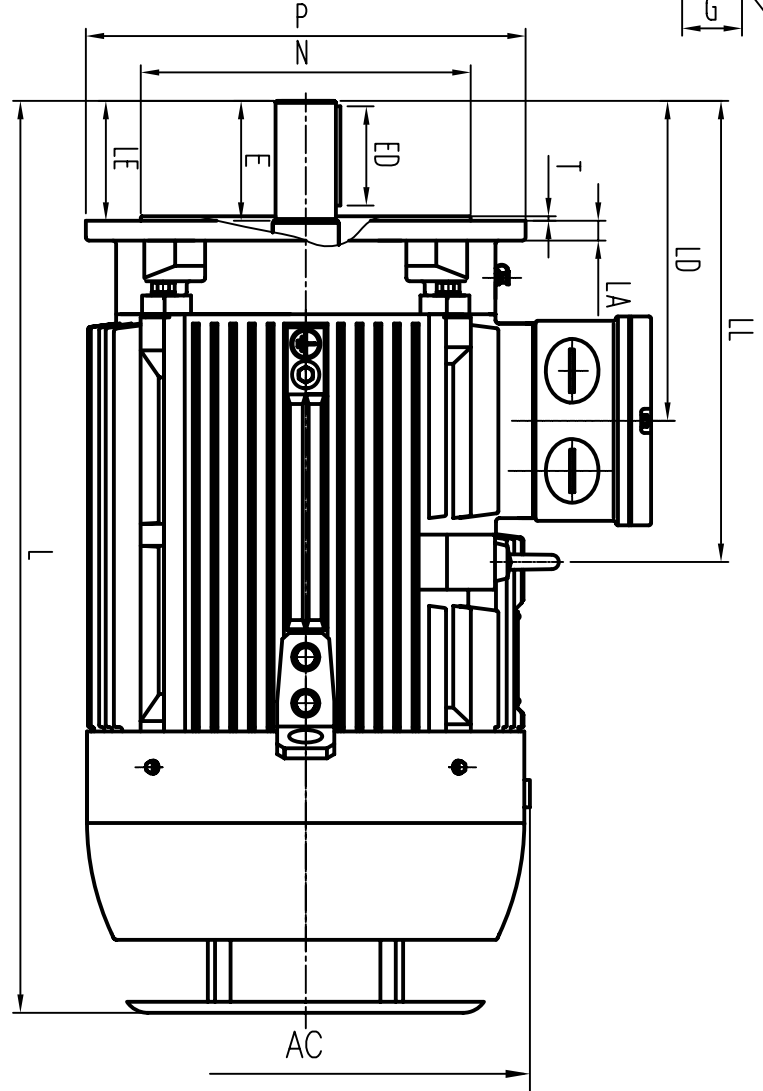
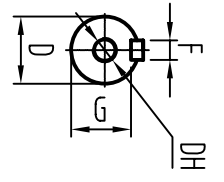


CLIENT:			
FRAME		KW	
VOLTS		RPM	



OUTLINE DIMENSIONS FLANGE MOUNTED MOTORS

SHAFT EXT. DE ONLY

WEIGHT

AC	AD	AH	AG'	KK	L	LA	LD	LE	LL	M	N	P	S	T	D	DH	E	ED	F	G
φ420	324	547	247	M50X1.5	859	17	291	110	419.5	φ350	φ300	φ400	4×φ18.5	5	φ55 ^{+0.03} _{+0.011}	M20×42	110	90	16	49 ⁰ _{-0.2}

CUSTOMER APPROVAL

SIGNATURE

DATE

2L-200 2-8P (V1)
DIMENSION OUTLINE

DATE	20101027	CHK	CHK
DRAWN	ZHANG HONG	APPD	APPD
ISSUE A	DATE	CERTIFIED BY	CERTIFIED BY
ISSUE B	DATE	CERTIFIED BY	CERTIFIED BY
ISSUE C	DATE	CERTIFIED BY	CERTIFIED BY
ISSUE D	DATE	CERTIFIED BY	CERTIFIED BY

Outstanding
Zhang Weibin