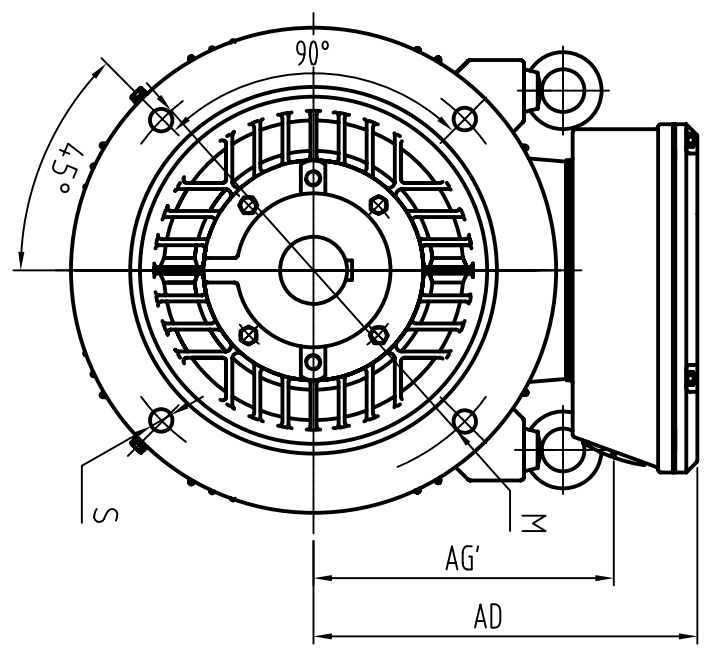
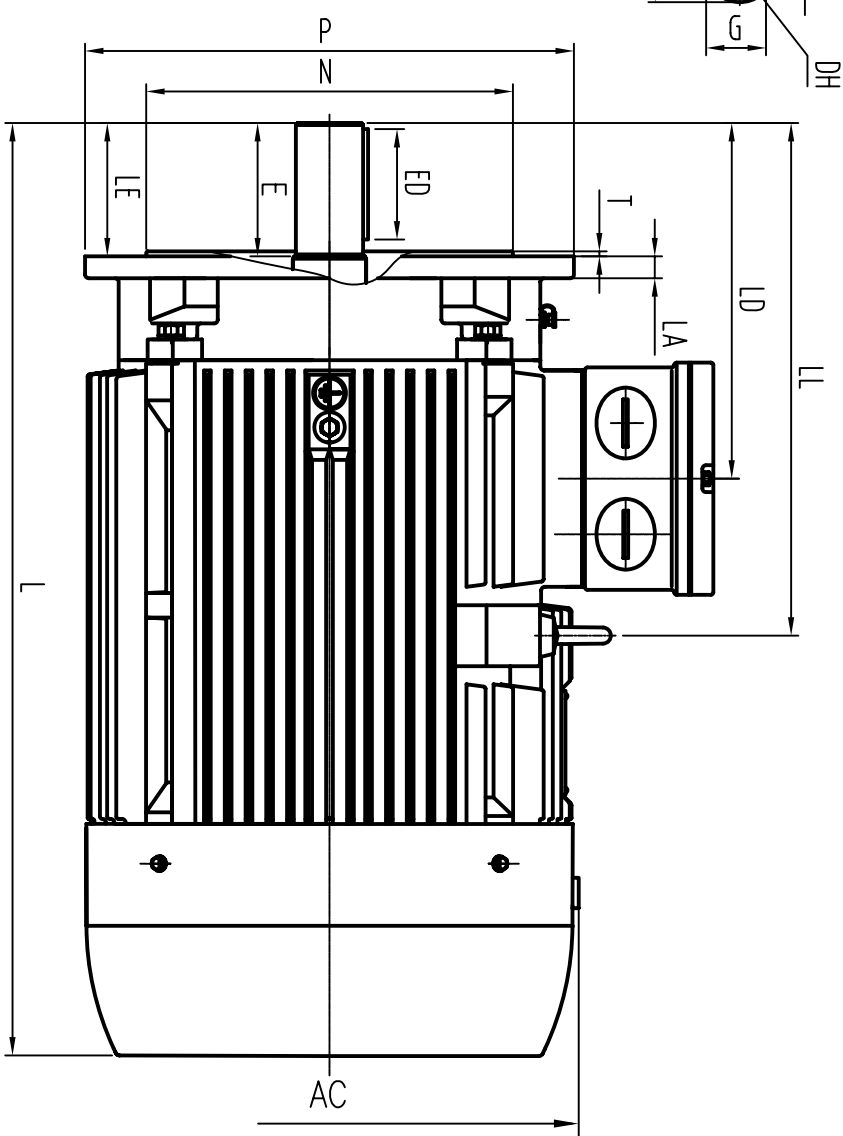
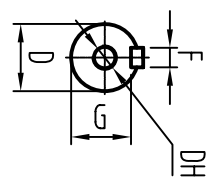


CLIENT:			
FRAME		KW	
VOLTS		RPM	



OUTLINE DIMENSIONS FLANGE MOUNTED MOTORS

AC	φ420
AD	324
AG'	247
KK	M50X1.5
L	789
LA	17
LD	291
LE	110
LL	419.5
M	φ350
N	φ300
P	φ400
S	4×φ18.5
T	5

SHAFT EXT. DE ONLY

D	φ55 ^{+0.03} / _{+0.011}
DH	M20×42
E	110
ED	90
F	16
G	49 ⁰ / _{-0.2}

WEIGHT

CUSTOMER APPROVAL

SIGNATURE

DATE

21-200 2~8P (B5)
DIMENSION OUTLINE

DATE	20101027	CHK	Qiu Tudiang
DRAWN	Yu Hailun	APPD	Zhang Wenbin
ISSUE A	DATE	CERTIFIED BY	
ISSUE B	DATE	CERTIFIED BY	
ISSUE C	DATE	CERTIFIED BY	
ISSUE D	DATE	CERTIFIED BY	