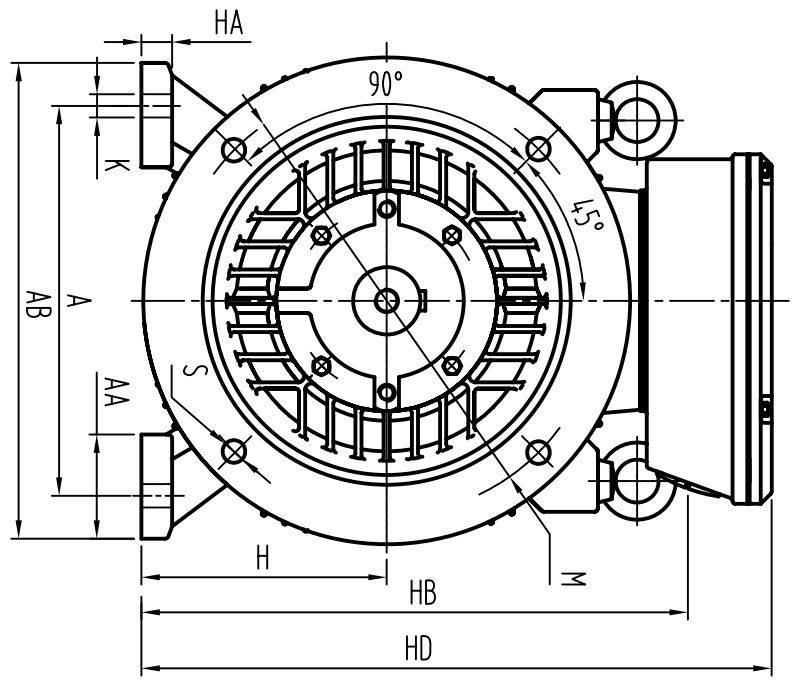
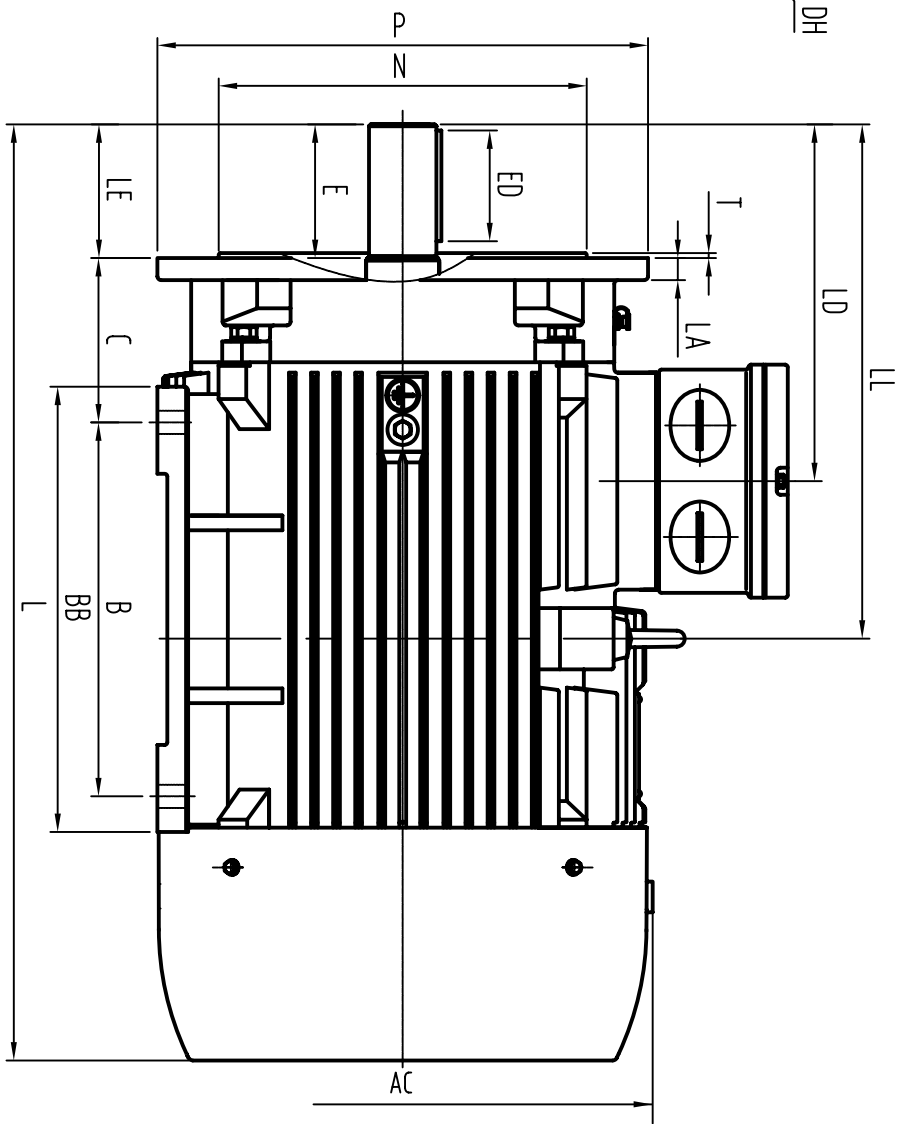
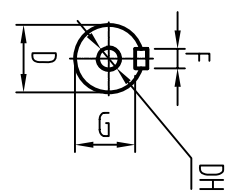


CLIENT:			
FRAME		KW	
VOLTS		RPM	



OUTLINE DIMENSIONS FOOT-FLANGE MOUNTED MOTORS

SHAFT EXT. DE ONLY

WEIGHT

A	318
AA	85
AB	395
AC	φ420
B	305
BB	370
C	133
H	200
HA	25
HB	447
HD	524
K	φ18.5
KK	M50X1.5
L	789
LA	17
LD	291
D	φ55 ^{+0.03} / _{+0.011}
DH	M20X42
E	110
ED	90
F	16
G	49 ⁰ / _{-0.2}

LE	110
LL	419.5
M	φ350
N	φ300
P	φ400
S	4Xφ18.5
T	5

CUSTOMER APPROVAL _____
 SIGNATURE _____
 DATE _____

2L-200 2~8P (B35)		DATE	20101027	CHK	Our Hudong
DIMENSION OUTLINE		DRAWN	ZHANG HONG	APPD	Zhang Weimin
ISSUE A	DATE	ISSUE B	DATE	CERTIFIED BY	
ISSUE C	DATE	ISSUE D	DATE	CERTIFIED BY	