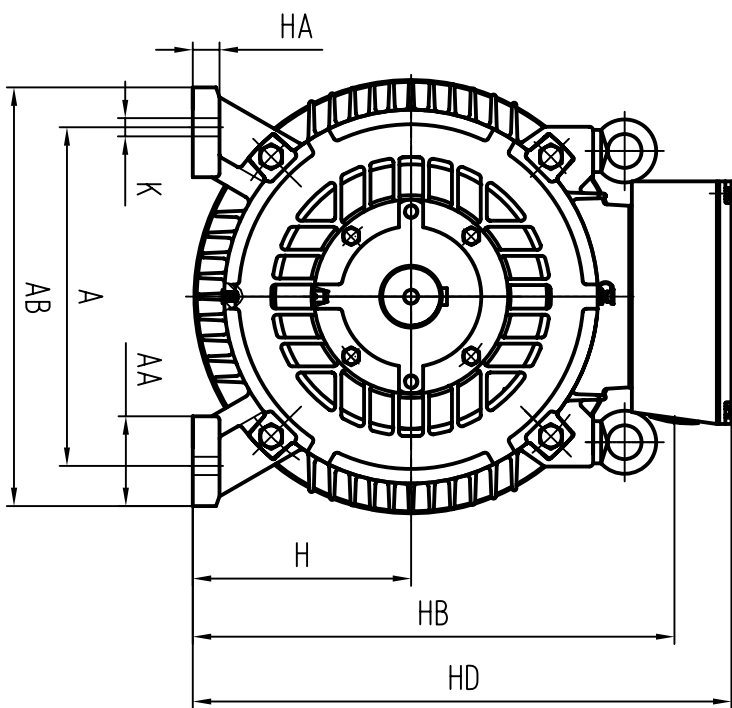
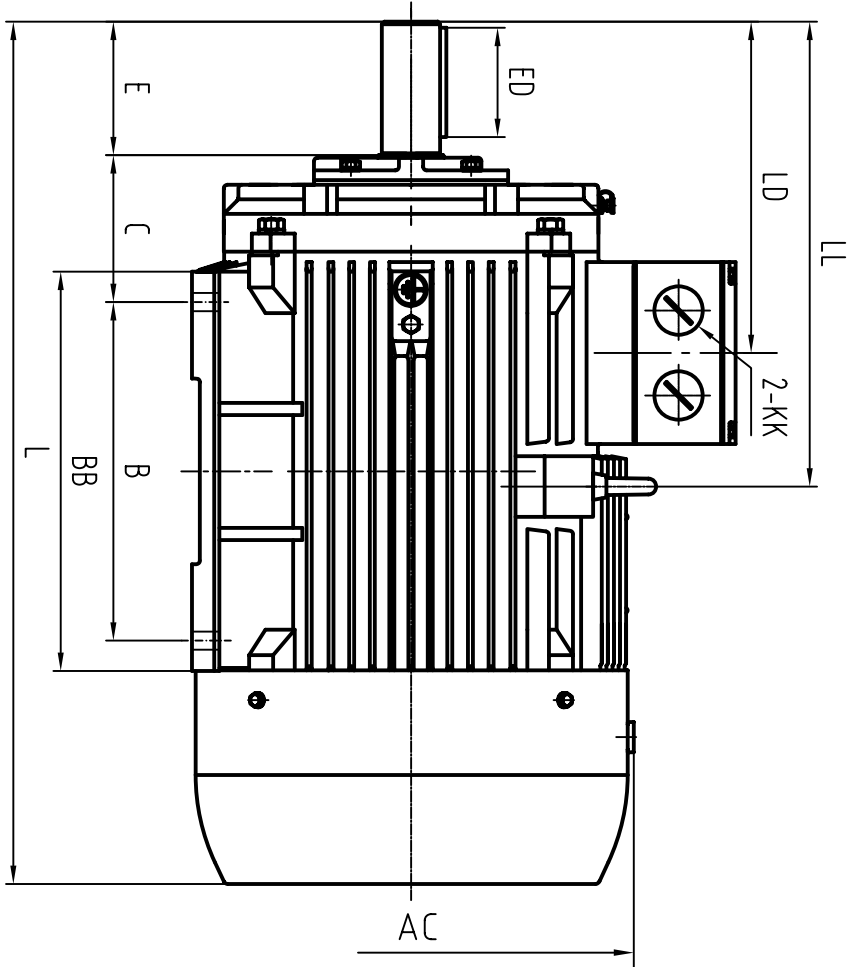


CLIENT:			
FRAME		KW	
VOLTS		RPM	



OUTLINE DIMENSIONS FOOT MOUNTED MOTORS

SHAFT EXT. DE ONLY

WEIGHT

A	279
AA	74
AB	350
AC	φ380
B	241(180M) 279(180L)
BB	297(180M) 335(180L)
C	121
H	180
HA	22
HB	397
HD	455
K	φ14.5
KK	M40x1.5
L	697(180M) 732(180L)
LD	273
LL	383
D	φ48 ^{+0.018} / _{+0.002}
DH	M16x36
E	110
ED	90
F	14
G	42.5 ⁰ / _{-0.020}

CUSTOMER APPROVAL

SIGNATURE

DATE

2L-180 2-8P (B3)
DIMENSION OUTLINE

DATE	20101027	CHK	Qu Huadong
DRAWN	ZHANG HONG	APPD	Zhang Weibin
ISSUE A	DATE	CERTIFIED BY	
ISSUE B	DATE	CERTIFIED BY	
ISSUE C	DATE	CERTIFIED BY	
ISSUE D	DATE	CERTIFIED BY	