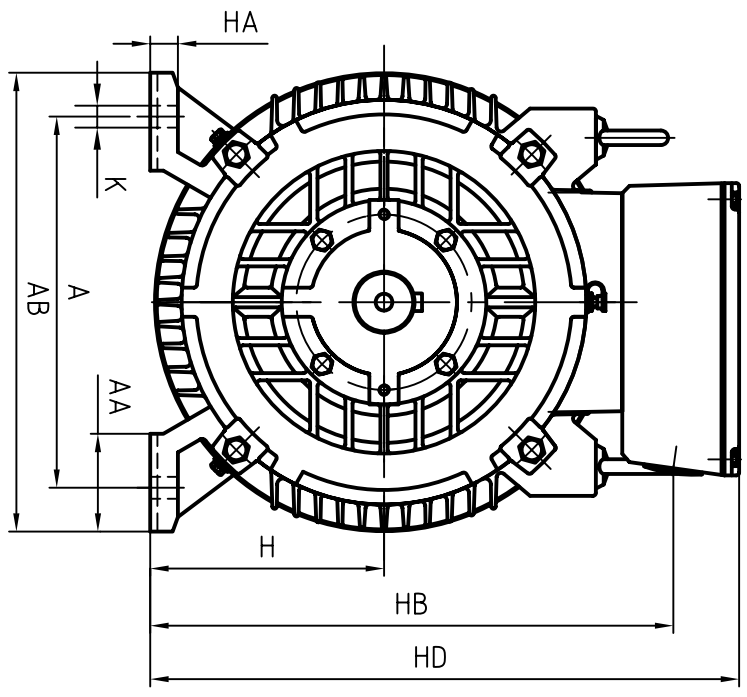
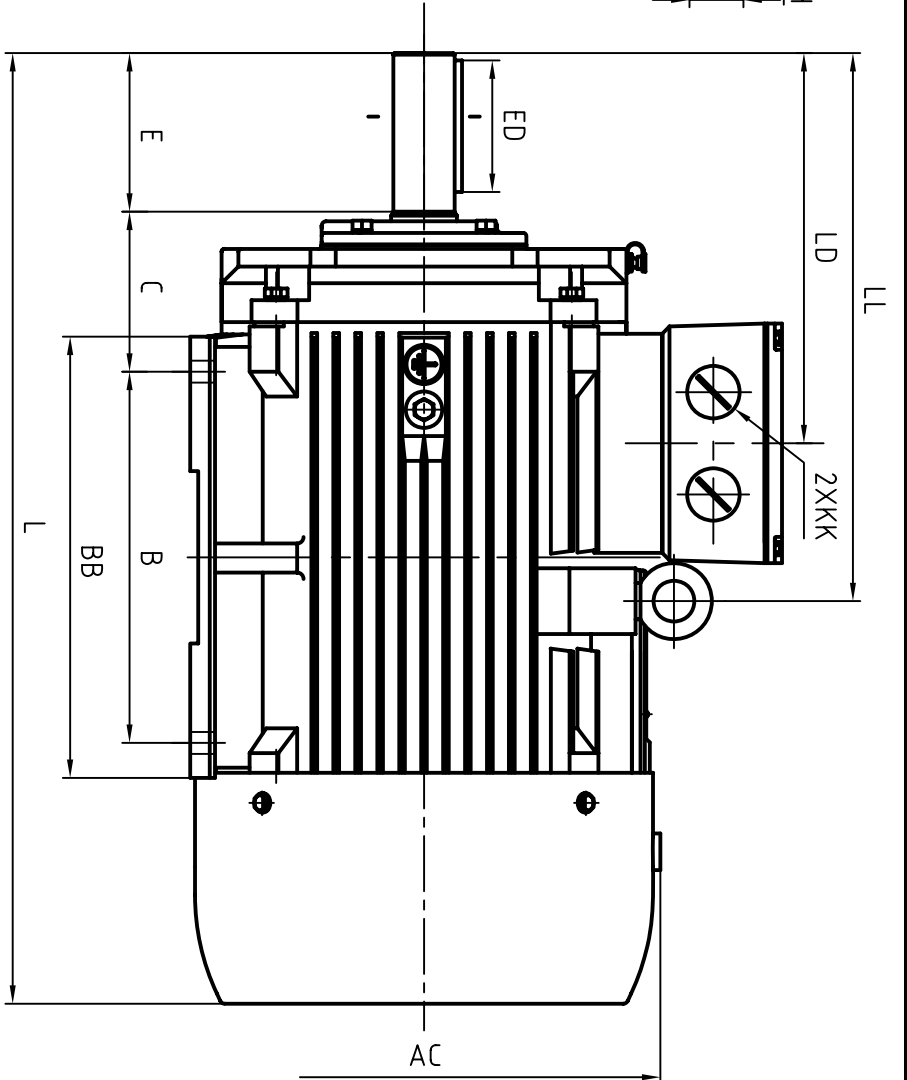


CLIENT:			
FRAME		KW	
VOLTS		RPM	



OUTLINE DIMENSIONS FOOT MOUNTED MOTORS

SHAFT EXT. DE ONLY

WEIGHT

A	254	B	254
AA	67	BB	325
AB	320	C	108
AC	φ330	H	160
		HA	19
		HB	360
		HD	410
		K	φ14.5
		KK	M40X1.5
		D	φ42 ^{+0.018} / _{+0.002}
		DH	M16X36
		E	110
		ED	90
		F	12
		G	37 ⁰ / _{-0.20}

689(160L)	L
268	LD
375	LL

CUSTOMER APPROVAL

SIGNATURE

DATE

2L-160 2-18.5KW(B3)
DIMENSION OUTLINE

DATE	20101027	CHK	CHK
DRAWN	ZHANG HONG	APPD	APPD
ISSUE (ZX)	DATE	CERTIFIED BY	CERTIFIED BY
ISSUE	DATE	CERTIFIED BY	CERTIFIED BY
ISSUE	DATE	CERTIFIED BY	CERTIFIED BY
ISSUE	DATE	CERTIFIED BY	CERTIFIED BY

OuTudong
Zhang Weibin