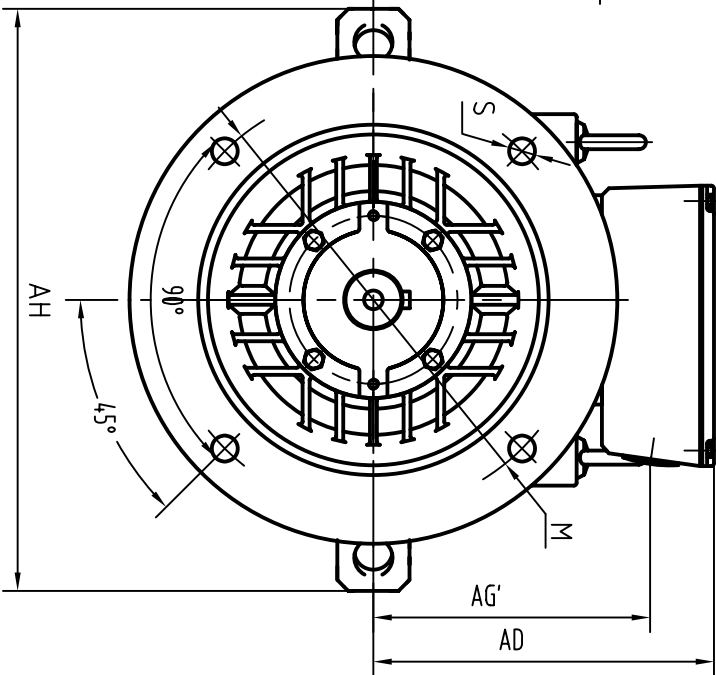
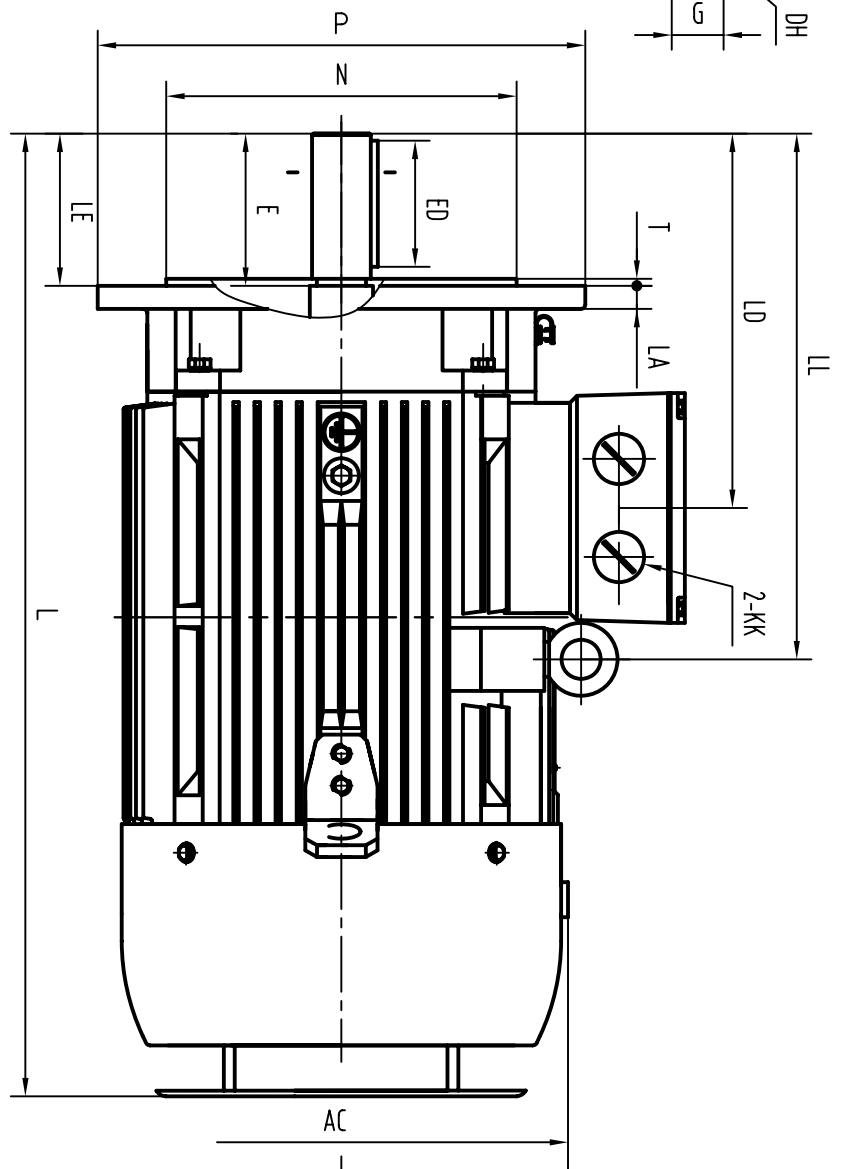
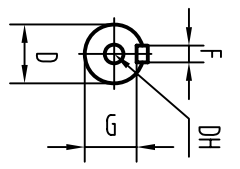


CLIENT:			
FRAME		KW	
VOLTS		RPM	



OUTLINE DIMENSIONS FLANGE MOUNTED MOTORS

SHAFT EXT. DE ONLY

WEIGHT

AC	AD	AG'	AH	KK	LA	LD	LE	LL	M	N	P	S	T	L	D	DH	E	ED	F	G
φ330	250	200	460	M40X1.5	15	268	110	375	φ300	φ250	φ350	4Xφ18.5	5	667(160M) 712(160L)	φ42 ^{+0.018} _{+0.002}	M16X36	110	90	12	37 ⁰ _{-0.20}

CUSTOMER APPROVAL

SIGNATURE

DATE

2L-160 2-8P(V1)
DIMENSION OUTLINE

DATE	2010/027	CHK	CHK
DRAWN	ZHANG HONG	APPD	APPD
ISSUE (ZX)	DATE 01.12.18	CERTIFIED BY	CERTIFIED BY
ISSUE	DATE	CERTIFIED BY	CERTIFIED BY
ISSUE	DATE	CERTIFIED BY	CERTIFIED BY

Out Hudong
Zheng Weibin