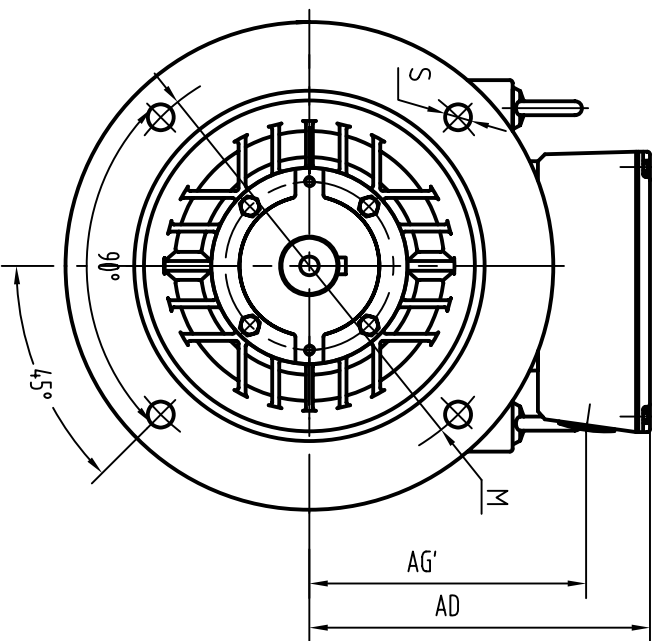
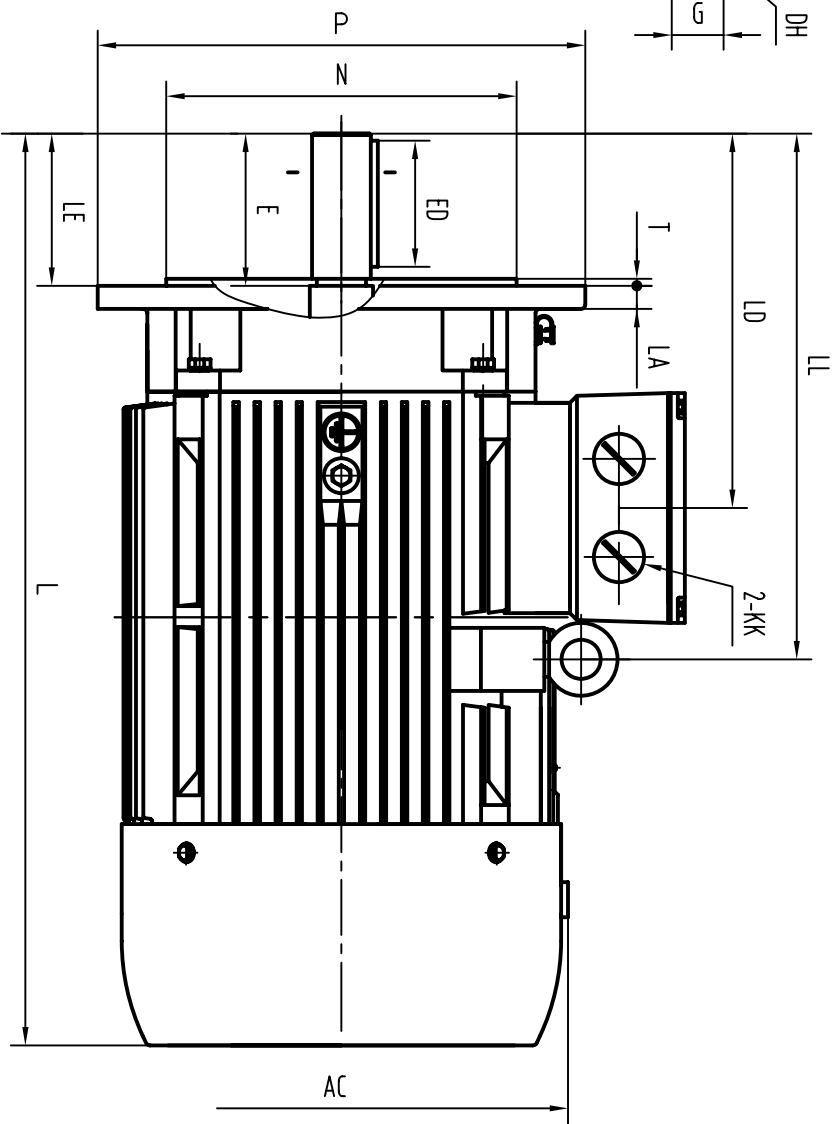


CLIENT:			
FRAME		KW	
VOLTS		RPM	



OUTLINE DIMENSIONS FLANGE MOUNTED MOTORS

SHAFT EXT. DE ONLY

WEIGHT

AC	AD	AG'	KK	LA	LD	LE	LL	M	N	P	S	T	L	D	DH	E	ED	F	G
φ330	250	200	M40X1.5	15	268	110	375	φ300	φ250	φ350	4Xφ18.5	5	622(160M)	φ42 <sup>+0.018</sup> <sub>+0.002</sub>	M16X36	110	90	12	37 <sup>0</sup> <sub>-0.20</sub>

CUSTOMER APPROVAL

SIGNATURE

DATE

2L-160 2-8P(B5)

DIMENSION OUTLINE

DATE	2010/027	CHK	CHK	Out Hudong
DRAWN	ZHANG HONG	APPD	APPD	Zhang Weibin
ISSUE (ZX)	DATE 01.12.18	CERTIFIED BY		
ISSUE	DATE	CERTIFIED BY		
ISSUE	DATE	CERTIFIED BY		