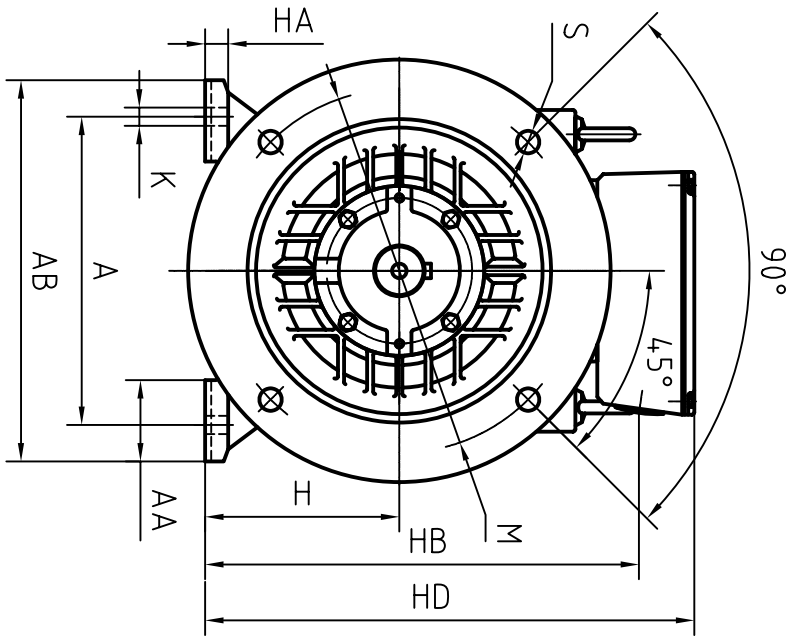
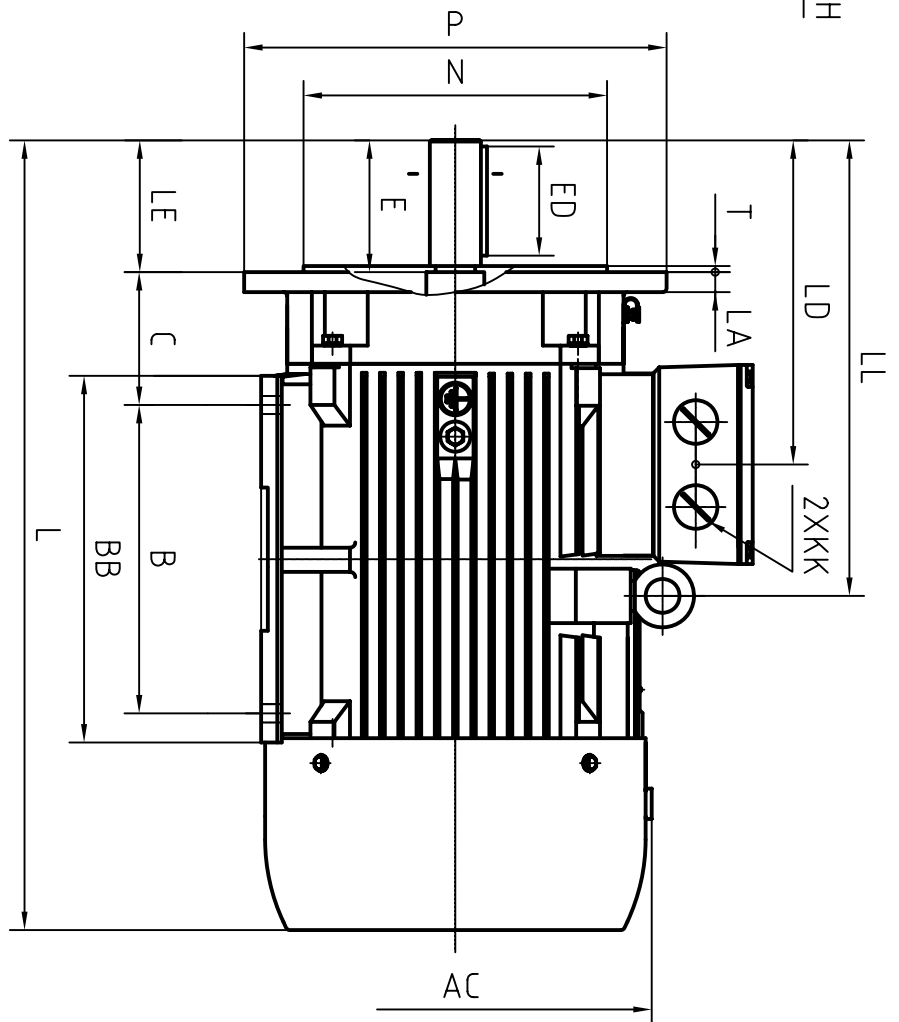
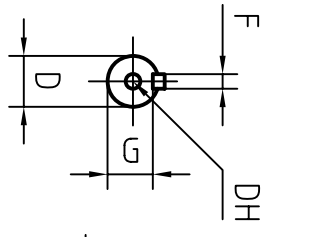


CLIENT:			
FRAME		KW	
VOLTS		RPM	



OUTLINE DIMENSIONS FOOT-FLANGE MOUNTED MOTORS

A	254	210(160M)	108	19	360	410	φ14.5	M40X1.5	15	φ42 ^{+0.018} _{+0.002}	M16X36	110	90	12	37 ⁰ _{-0.20}
AA	67	254(160L)	160	360	410	φ14.5	M40X1.5	15	φ42 ^{+0.018} _{+0.002}	M16X36	110	90	12	37 ⁰ _{-0.20}	
AB	320	260(160M)	19	360	410	φ14.5	M40X1.5	15	φ42 ^{+0.018} _{+0.002}	M16X36	110	90	12	37 ⁰ _{-0.20}	
AC	φ330	305(160L)	19	360	410	φ14.5	M40X1.5	15	φ42 ^{+0.018} _{+0.002}	M16X36	110	90	12	37 ⁰ _{-0.20}	
B															
BB															
C															
H															
HA															
HB															
HD															
K															
KK															
LA															
D															
DH															
E															
ED															
F															
G															

SHAFT EXT. IDE ONLY

WEIGHT

622(160M)	L
667(160L)	LD
268	LE
110	LL
375	M
φ300	N
φ250	P
φ350	S
4Xφ18.5	T

CUSTOMER APPROVAL _____
SIGNATURE _____
DATE _____

2L-160 2-8P (B35)		DATE	20101027	CHK	CHK
DIMENSION OUTLINE		DRAWN	ZHANG HONG	APPD	APPD
ISSUE	DATE	ISSUE	DATE	CERTIFIED BY	CERTIFIED BY
ISSUE	DATE	ISSUE	DATE	CERTIFIED BY	CERTIFIED BY
ISSUE	DATE	ISSUE	DATE	CERTIFIED BY	CERTIFIED BY
ISSUE	DATE	ISSUE	DATE	CERTIFIED BY	CERTIFIED BY

Qufudong
Zhang Wenbin