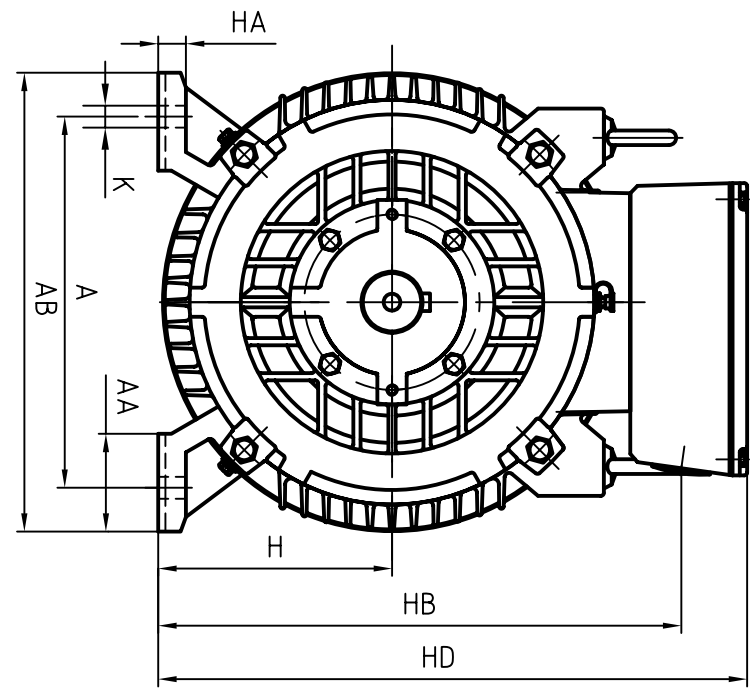
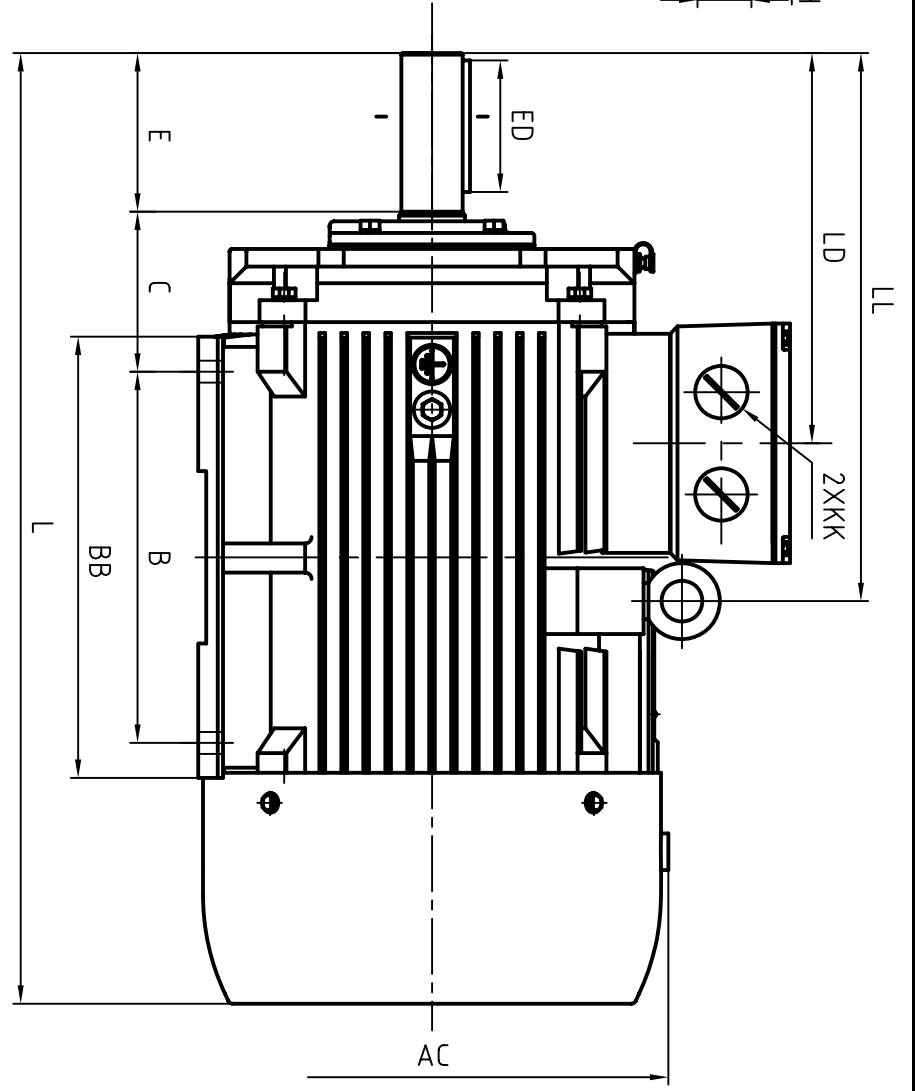


CLIENT:			
FRAME		KW	
VOLTS		RPM	



OUTLINE DIMENSIONS FOOT MOUNTED MOTORS

SHAFT EXT. DE ONLY

WEIGHT

A	254	B	210(160M)	D	$\phi 42^{+0.018}_{+0.002}$	E	110	F	12	G	$37^{0}_{-0.20}$
AA	67	BB	254(160L)	DDH	M16X36	ED	90				
AB	320	CC	260(160M)								
AC	$\phi 330$	CH	305(160L)								
		HA	108								
		HB	160								
		HD	19								
		K	360								
		KK	410								
			$\phi 14.5$								
			M40X1.5								

622(160M)	L
667(160L)	LD
268	LL
375	

CUSTOMER APPROVAL

SIGNATURE

DATE

2L-160 2-8P (B3)
DIMENSION OUTLINE

DATE	20101027	CHK	CHK	OutHuang
DRAWN	ZHANG HONG	APPD	APPD	Zhang Weibin
ISSUE (ZX)	DATE		CERTIFIED BY	
ISSUE	DATE		CERTIFIED BY	
ISSUE	DATE		CERTIFIED BY	
ISSUE	DATE		CERTIFIED BY	