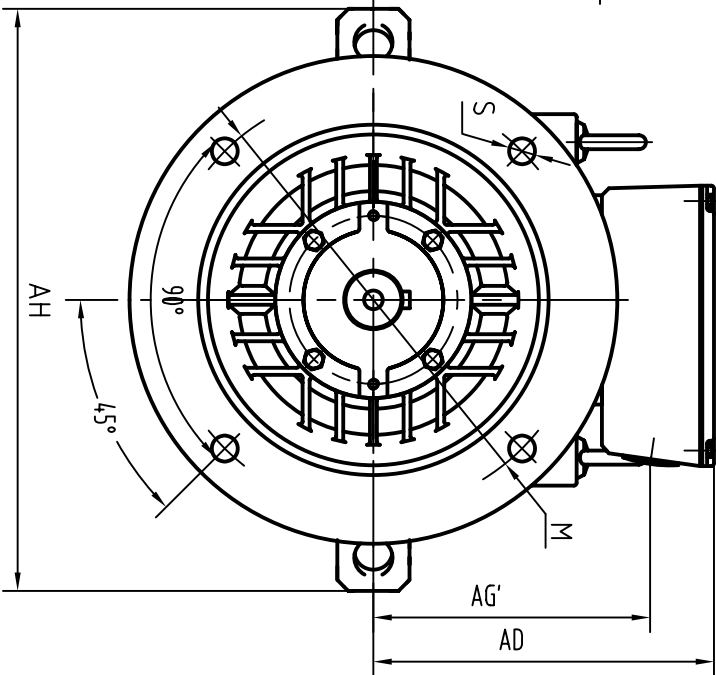
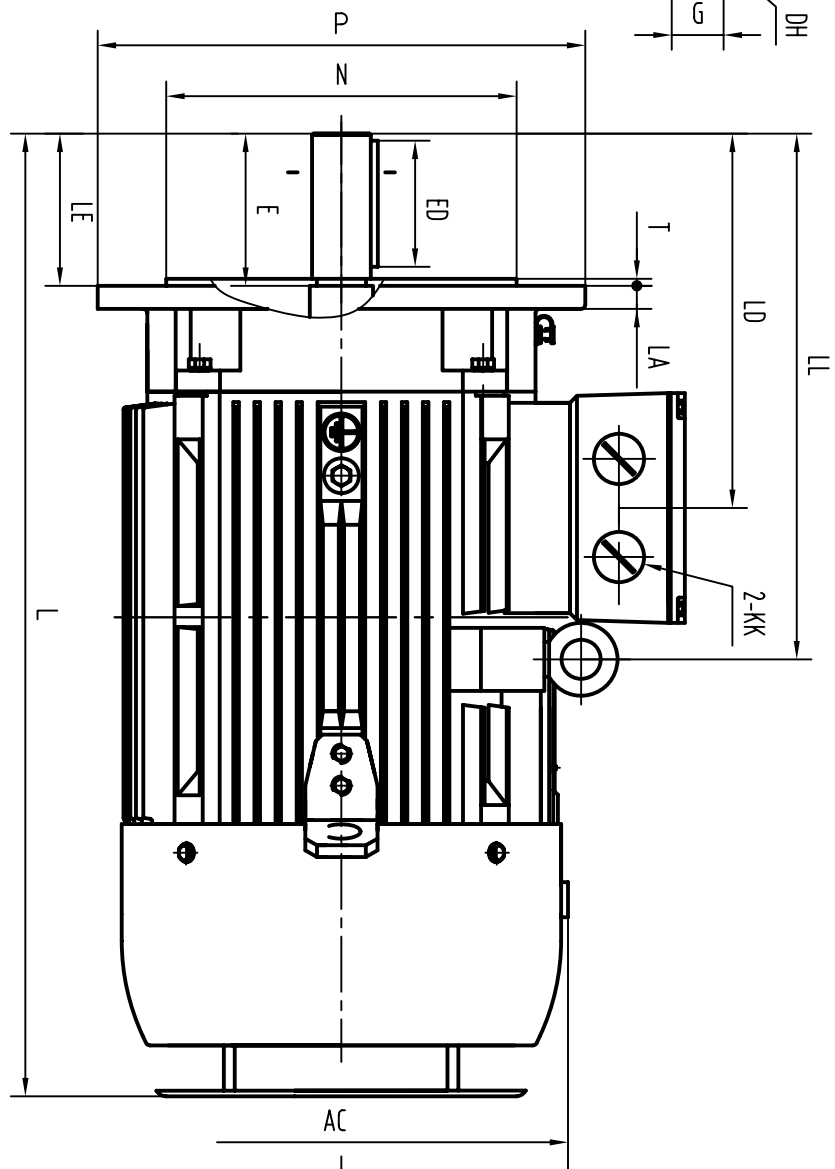


CLIENT:			
FRAME		KW	
VOLTS		RPM	



OUTLINE DIMENSIONS FLANGE MOUNTED MOTORS

SHAFT EXT. DE ONLY

WEIGHT

AC	Φ330
AD	250
AG'	200
AH	460
KK	M40X1.5
LA	15
LD	268
LE	110
LL	375
M	Φ300
N	Φ250
P	Φ350
S	4XΦ18.5
T	5
L	734

D	Φ42 ^{+0.018} / _{+0.002}
DH	M16X36
E	110
ED	90
F	12
G	37 ⁰ / _{-0.20}

WEIGHT	
--------	--

CUSTOMER APPROVAL

SIGNATURE

DATE

2L-160 2-18.5KW(V1)
DIMENSION OUTLINE

DATE	2010/027	CHK	Out Hudong
DRAWN	ZHANG HONG	APPD	Zhang Weibin
ISSUE (ZX)	DATE 01.12.18	CERTIFIED BY	
ISSUE	DATE	CERTIFIED BY	
ISSUE	DATE	CERTIFIED BY	