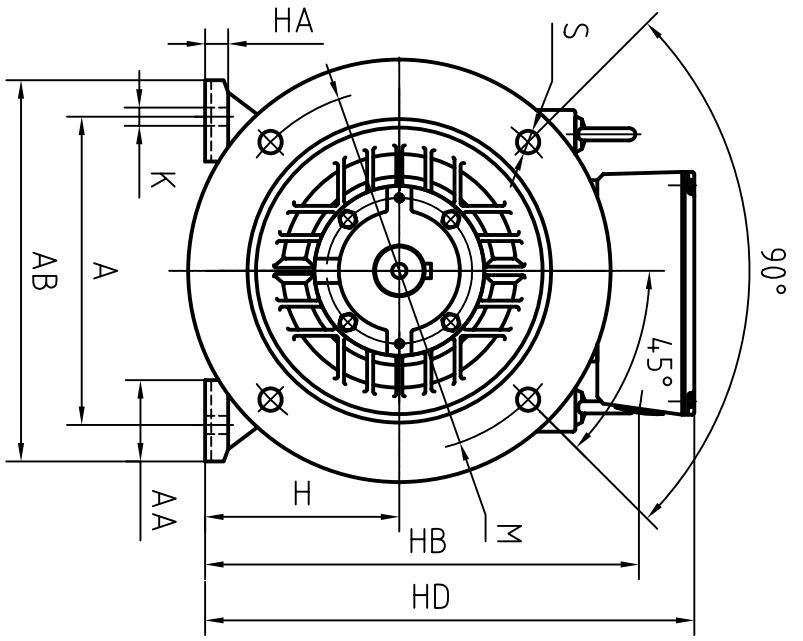
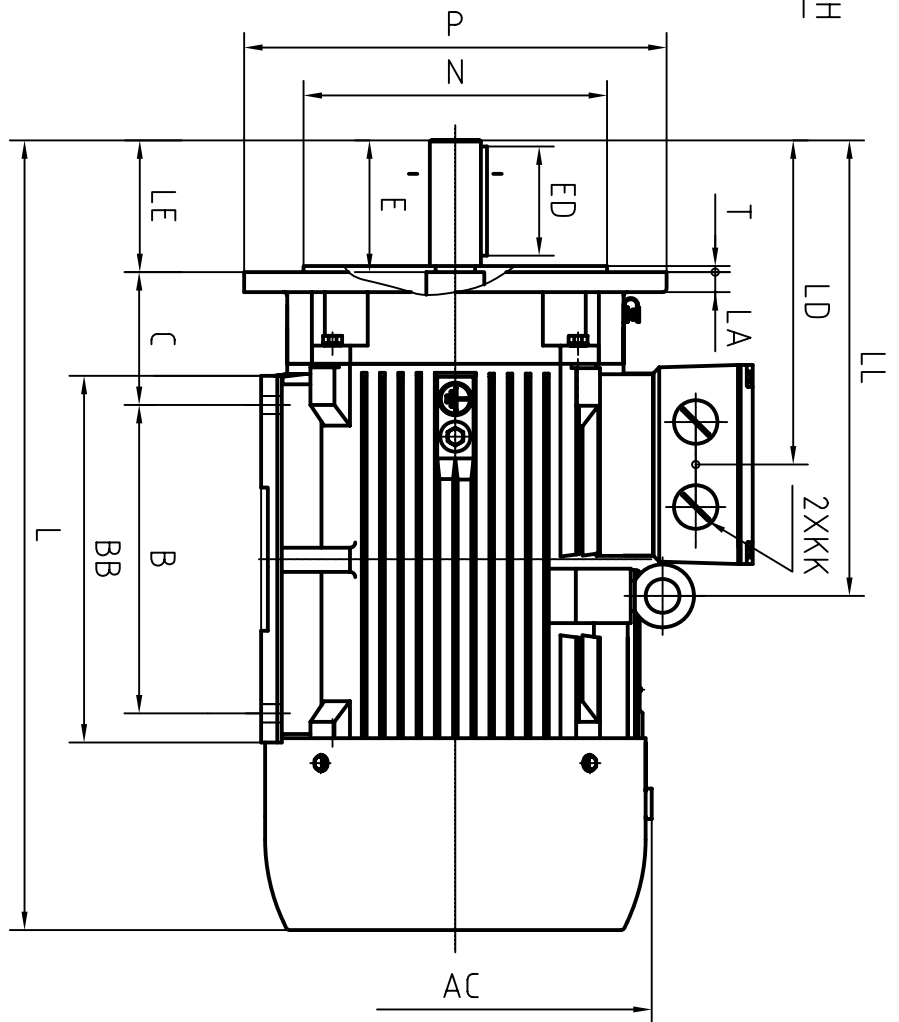
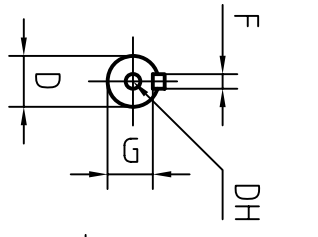


CLIENT:			
FRAME		KW	
VOLTS		RPM	



OUTLINE DIMENSIONS FOOT-FLANGE MOUNTED MOTORS

A	254	D	$\phi 42^{+0.018}_{+0.002}$
AA	67	DH	M16X36
AB	320	E	110
AC	$\phi 330$	ED	90
		F	12
B	254	G	$37^{0}_{-0.20}$
BB	325		
C	108		
H	160		
HA	19		
HB	360		
HD	410		
K	$\phi 14.5$		
KK	M40X1.5		

SHAFT EXT. IDE ONLY

WEIGHT

L	689
LD	268
LE	110
LL	375
M	$\phi 300$
N	$\phi 250$
P	$\phi 350$
S	$4 \times \phi 18.5$
T	5
LA	15

CUSTOMER APPROVAL

SIGNATURE

DATE

2L-160 2-18.5KW (B35)

DIMENSION OUTLINE

DATE	20101027	CHK	CHK	OU	OU
DRAWN	ZHANG HONG	APPD	APPD	ZHANG	WENBIN
ISSUE		DATE		CERTIFIED BY	
ISSUE		DATE		CERTIFIED BY	
ISSUE		DATE		CERTIFIED BY	
ISSUE		DATE		CERTIFIED BY	