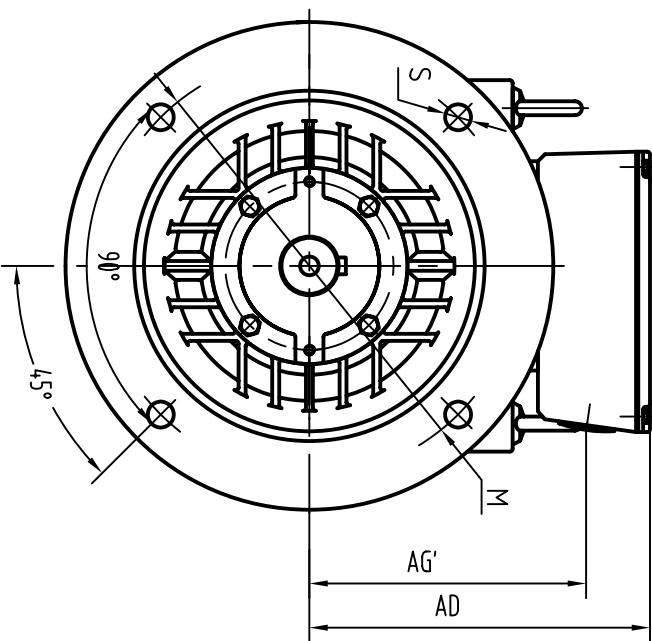
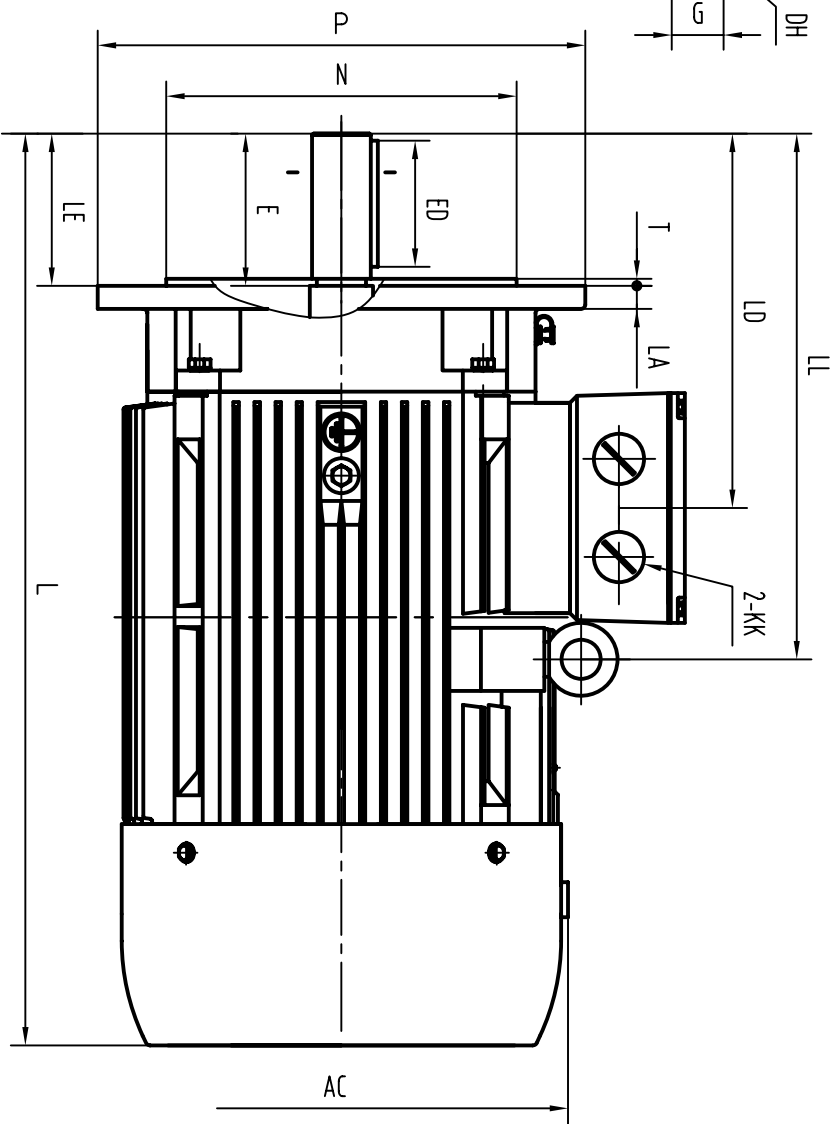


CLIENT:			
FRAME		KW	
VOLTS		RPM	



OUTLINE DIMENSIONS FLANGE MOUNTED MOTORS

AC	AD	AG'	KK	LA	LD	LE	LL	M	N	P	S	T	L
φ330	250	200	M40X1.5	15	268	110	375	φ300	φ250	φ350	4Xφ18.5	5	667

SHAFT EXT. DE ONLY

D	DH	E	ED	F	G
φ42 ^{+0.018} _{+0.002}	M16X36	110	90	12	37 ⁰ _{-0.20}

WEIGHT

CUSTOMER APPROVAL

SIGNATURE

DATE

ZL-160 2-15KW(B5)

DIMENSION OUTLINE

DATE	2010/027	CHK	CHK	Out Hudong
DRAWN	ZHANG HONG	APPD	APPD	Zheng Weixin
ISSUE (ZX)	DATE 01.12.18	CERTIFIED BY		
ISSUE	DATE	CERTIFIED BY		
ISSUE	DATE	CERTIFIED BY		