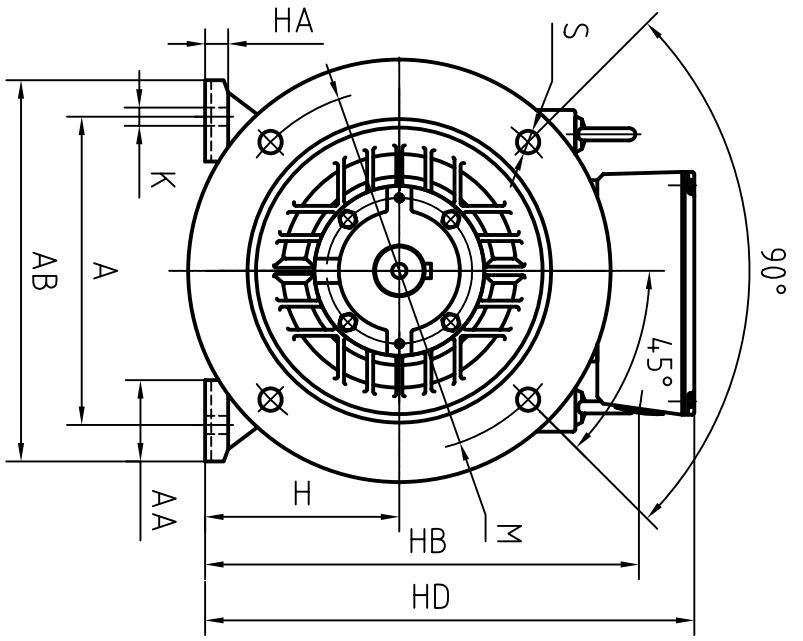
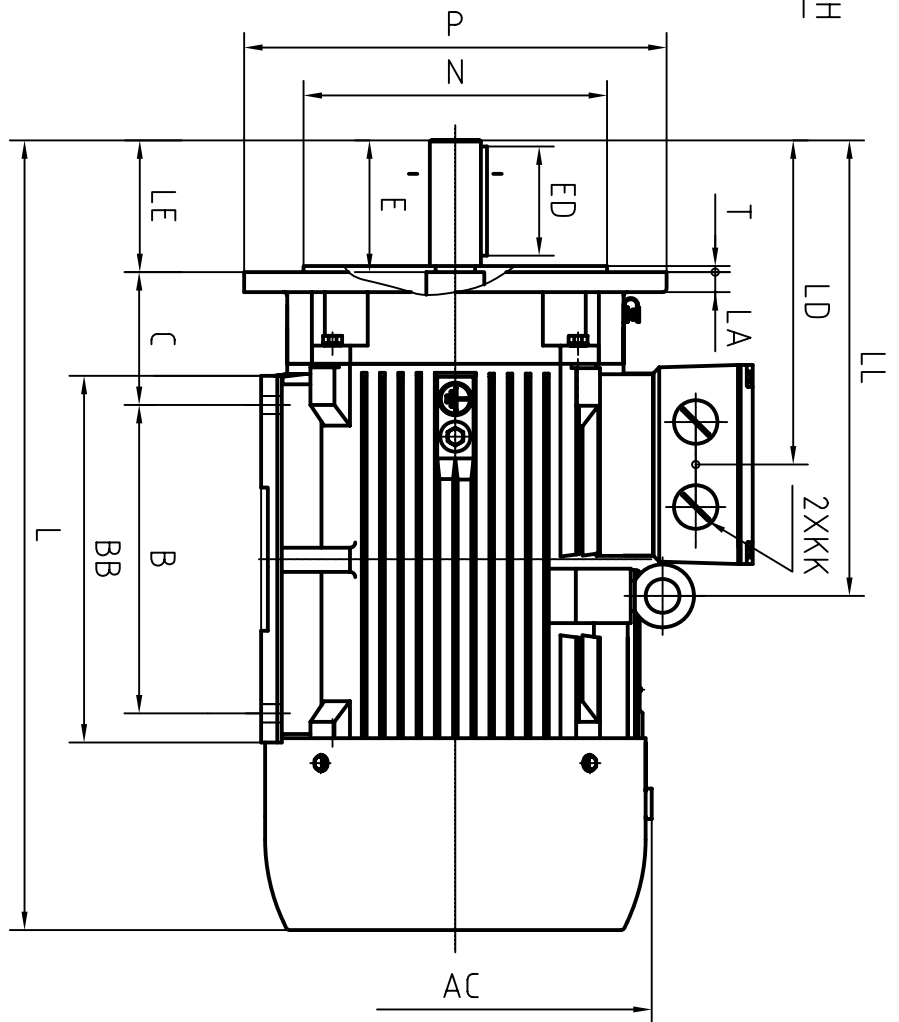
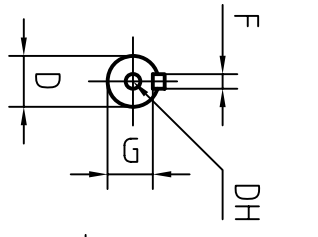


CLIENT:			
FRAME		KW	
VOLTS		RPM	



OUTLINE DIMENSIONS FOOT-FLANGE MOUNTED MOTORS

A	254	AA	67	AB	320	AC	φ330	B	210	BB	305	C	108	H	160	HA	19	HB	360	HD	410	K	φ14.5	KK	M40X1.5	D	φ42 <sup>+0.018</sup> <sub>+0.002</sub>	DH	M16X36	E	110	ED	90	F	12	G	37 <sup>0</sup> <sub>-0.20</sub>
---	-----	----	----	----	-----	----	------	---	-----	----	-----	---	-----	---	-----	----	----	----	-----	----	-----	---	-------	----	---------	---	---	----	--------	---	-----	----	----	---	----	---	----------------------------------

SHAFT EXT. IDE ONLY

WEIGHT

667	L
268	LD
110	LE
375	LL
φ300	M
φ250	N
φ350	P
4×φ18.5	S
5	T
15	LA

CUSTOMER APPROVAL

SIGNATURE

DATE

2L-160 2-15KW (B35)

DIMENSION OUTLINE

DATE	20101027	CHK	CHK	OU FUDONG
DRAWN	ZHANG HONG	APPD	APPD	ZHANG WENBIN
ISSUE	DATE	CERTIFIED BY	DATE	CERTIFIED BY
ISSUE	DATE	CERTIFIED BY	DATE	CERTIFIED BY
ISSUE	DATE	CERTIFIED BY	DATE	CERTIFIED BY