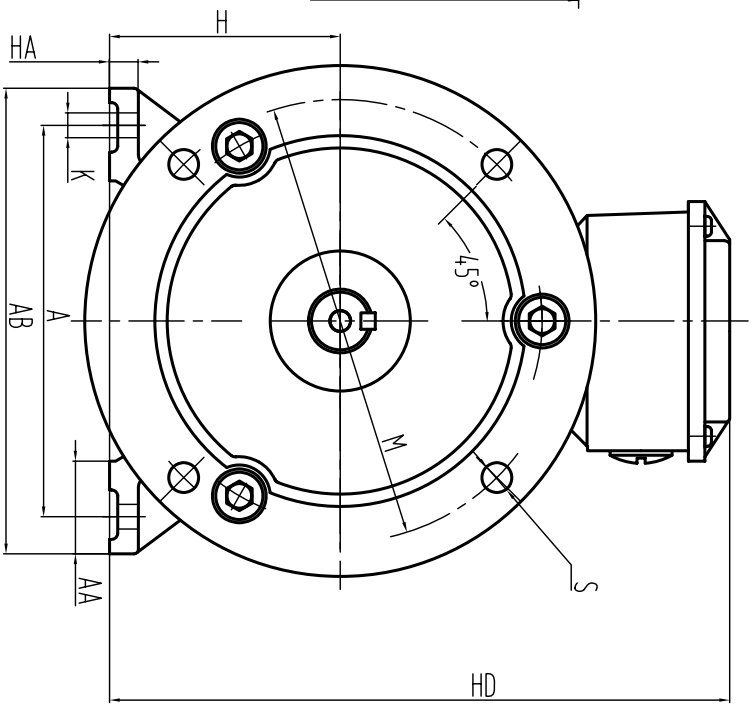
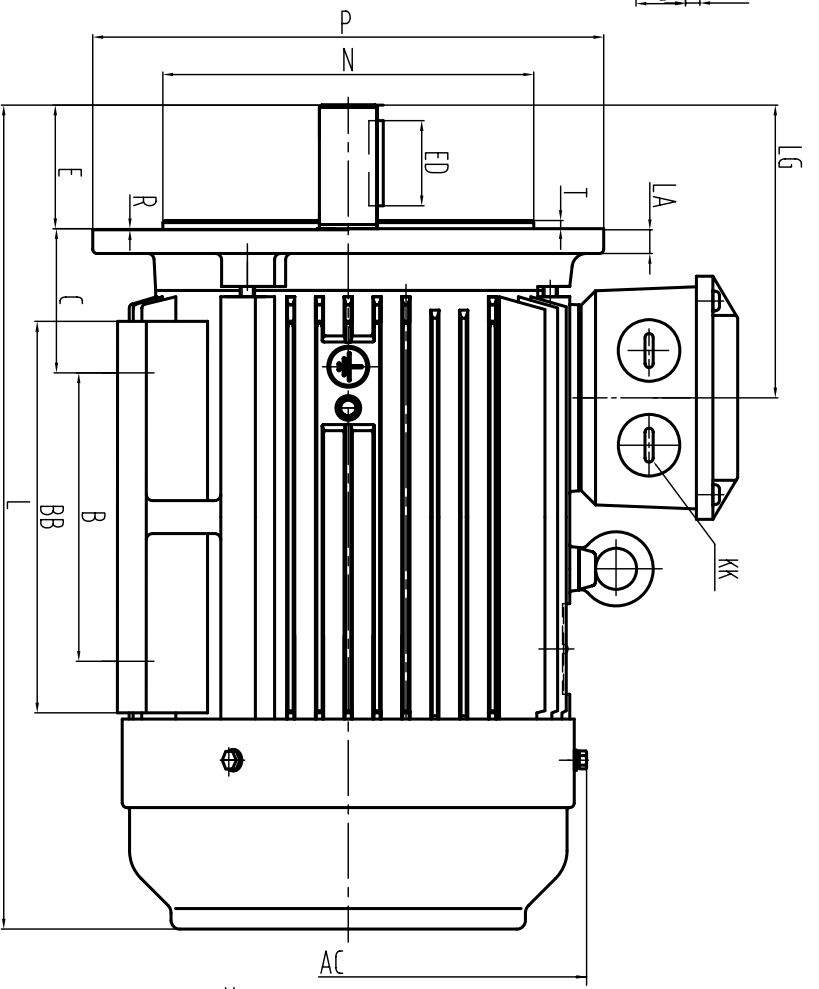
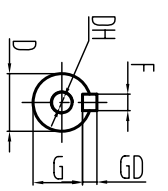


CLIENT:			
FRAME		KW	
VOLTS		RPM	



OUTLINE DIMENSIONS FOOT-FLANGE MOUNTED MOTORS

SHAFT EXT. DE ONLY

WEIGHT

A	190	B	140	HA	14	D	28	E	60	ED	45	F	8	G	24	GD	7	
AA	45	BB	255	HD	300	DH	M10X22	ED	45									
AB	230	C	70	K	12	E	60											
AC	236	H	112	KK	M32X1.5													
		HA	14	LG	144													
		HD	300	L	480													
		K	12															
		KK	M32X1.5															
		LG	144															
		L	480															
		D	28															
		DH	M10X22															
		E	60															
		ED	45															
		F	8															
		G	24															
		GD	7															

14	LA
215	M
180	N
250	P
0	R
14.5	S
4	T

CUSTOMER APPROVAL

SIGNATURE

DATE

2L-112 2-8P (B35)  
DIMENSION OUTLINE

DATE	2005.12.6	CHK	
DRAWN	Liu	APPD	
ISSUE A	DATE	CERTIFIED BY	
ISSUE B	DATE	CERTIFIED BY	
ISSUE C	DATE	CERTIFIED BY	
ISSUE D	DATE	CERTIFIED BY	