

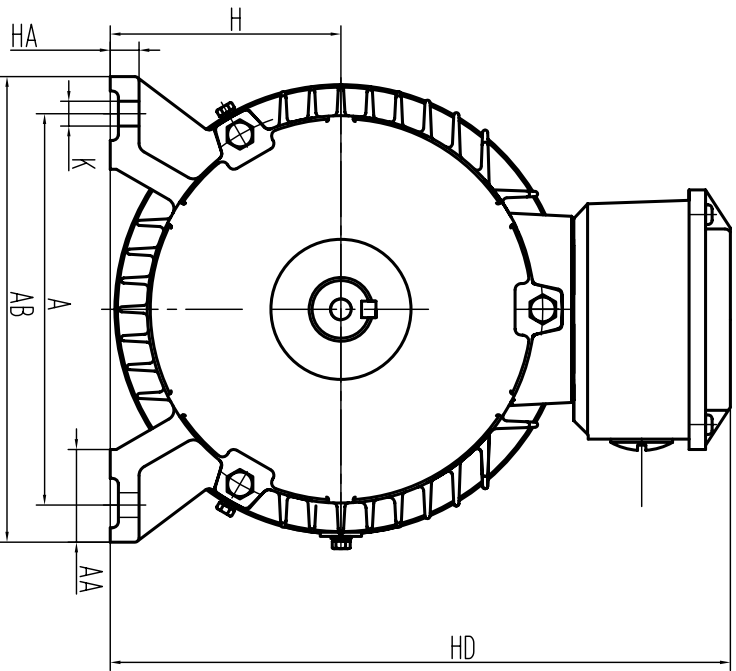
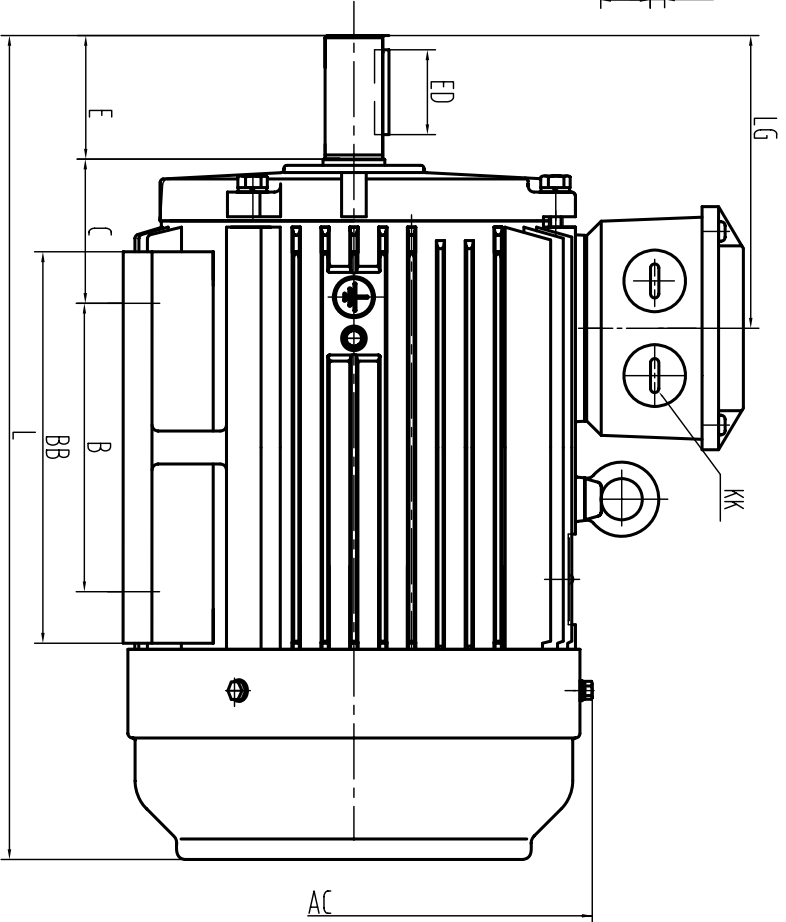
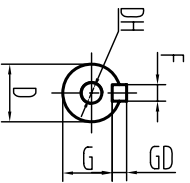
CLIENT:

FRAME

KW

VOLTS

RPM



OUTLINE DIMENSIONS FOOT MOUNTED MOTORS

SHAFT EXT. DE ONLY

WEIGHT

A	AA	AB	AC		B	BB	C	H	HA	HD	K	KK	LG	L	D	DH	E	ED	F	G	GD
190	45	230	236		140	255	70	112	14	300	12	M32X1.5	144	480	28	M10X22	60	45	8	24	7

CUSTOMER APPROVAL _____

SIGNATURE _____

DATE _____

21-112 2-8P (B3)

DIMENSION OUTLINE

DATE	2005.12.6	CHK	
DRAWN	Liu	APPD	
ISSUE A	DATE	CERTIFIED BY	
ISSUE B	DATE	CERTIFIED BY	
ISSUE C	DATE	CERTIFIED BY	
ISSUE D	DATE	CERTIFIED BY	