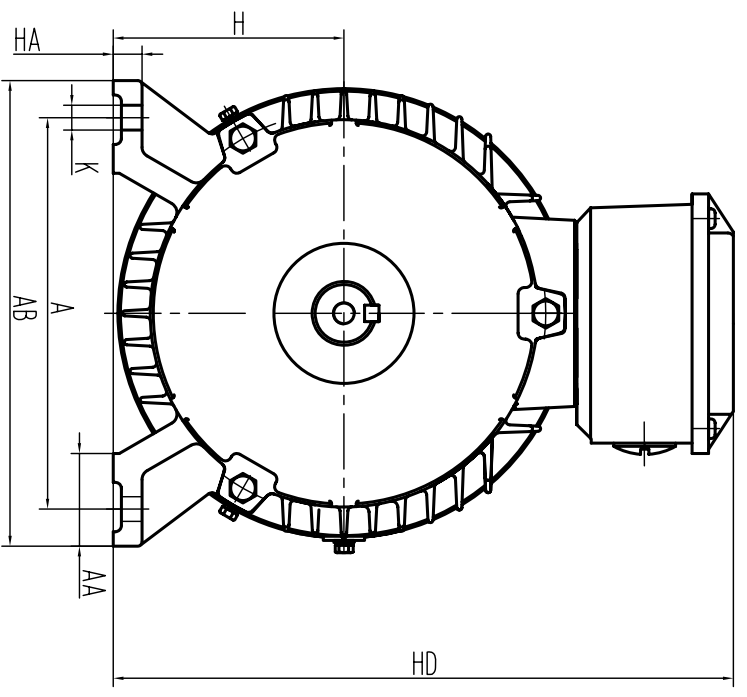
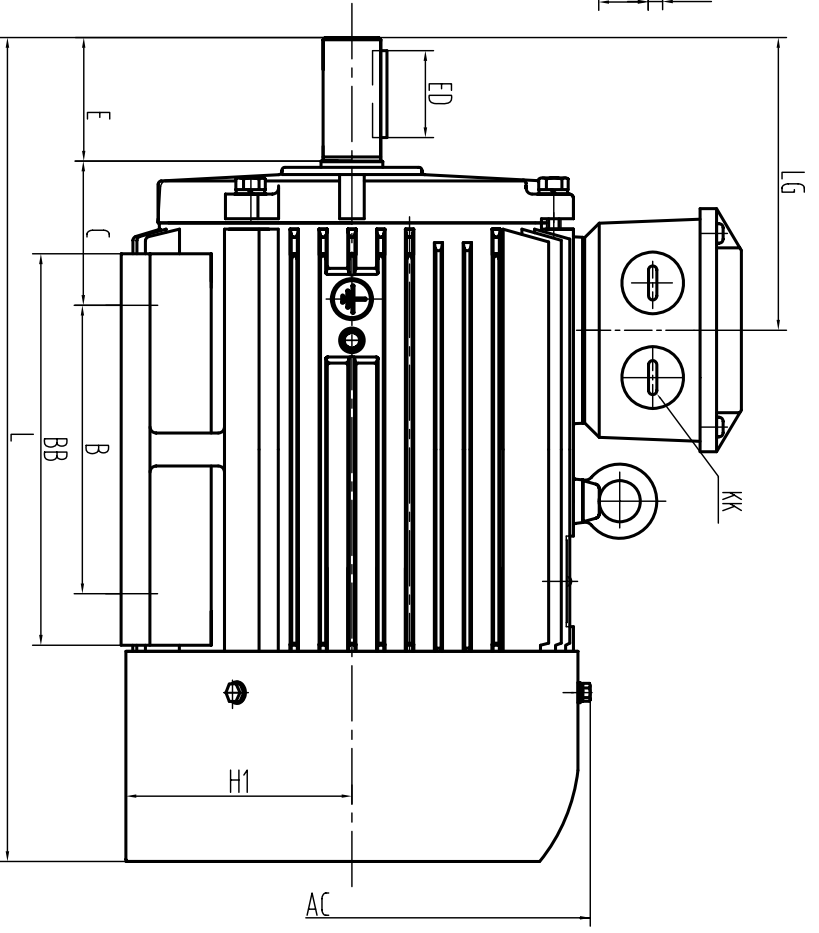


CLIENT:			
FRAME		KW	
VOLTS		RPM	



OUTLINE DIMENSIONS FOOT MOUNTED MOTORS

SHAFT EXT. DE ONLY

WEIGHT

A	160	B	140	D	28	F	8	G	24	GD	7
AA	40	BB	235	DH	M10X22	E	45	ED	45		
AB	200	C	63	E	60	ED	8				
AC	215	H	100	HA	153	F	24				
		H1	98	H		G	7				
		HA	14	HD							
		HD	275	K							
		K	12	KK	M25X1.5						
		KK		L	435						
		L		LG	153						

CUSTOMER APPROVAL

SIGNATURE

DATE

2L-100 2-8P (B3)  
DIMENSION OUTLINE

DATE	2005.12.6	CHK	
DRAWN	Liu	APPD	
ISSUE A	DATE	CERTIFIED BY	
ISSUE B	DATE	CERTIFIED BY	
ISSUE C	DATE	CERTIFIED BY	
ISSUE D	DATE	CERTIFIED BY	