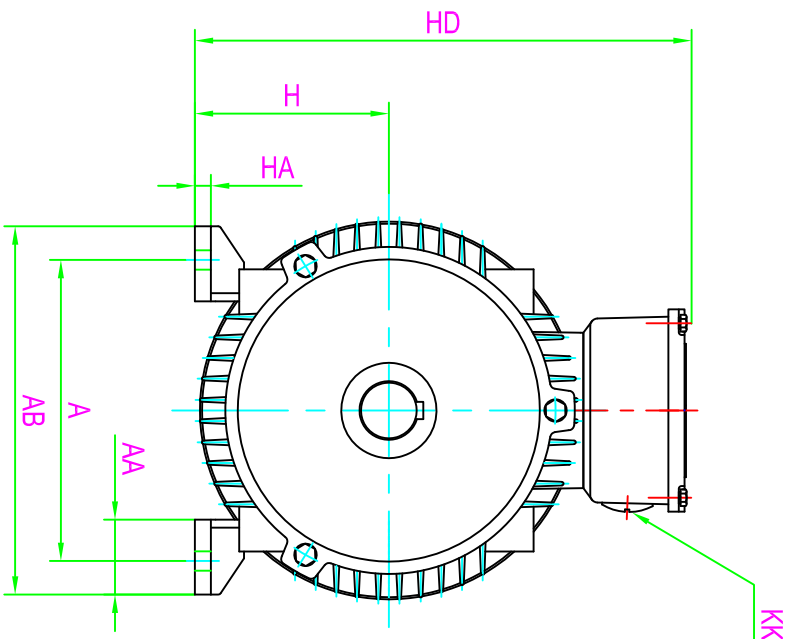
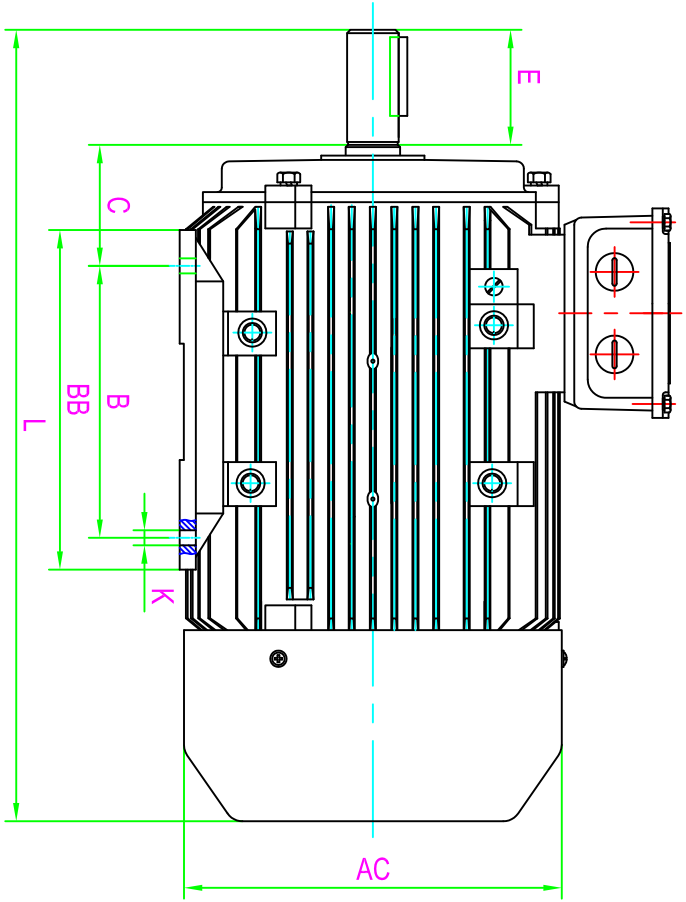
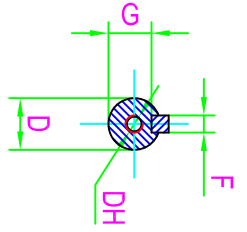


CLIENT:

FRAME	90L	KW	
VOLTS		RPM	



FOOT-OR-FLANGE-MOUNTING

		FOOT-OR-FLANGE-MOUNTING											SHAFT EXT. DE ONLY				WEIGHT(kg)																																
A	AA	AB	AC	B	BB	C	H	HA	HD	K	KK	L																																					
140	37	180	177	125	150	56	90	10	250	10	2-M25X1.5	360																																					

CUSTOMER APPROVAL

SIGNATURE

DATE

2A90L B3

DIMENSION OUTLINE

DWG #

DATE

DESIGNED BY

ISSUE

ISSUE

ISSUE

ISSUE

CHECKED BY

APPROVED BY

CERTIFIED BY

CERTIFIED BY

CERTIFIED BY

CERTIFIED BY