

CLIENT:	FRAME	90-112	KW	RPM
	VOLTS			

FRAME	OUTLINE DIMENSIONS FLANGE MOUNTED MOTORS																		SHAFT EXT.DE ONLY					WEIGHT(kg)			
	A	AA	AB	AC	AD	B	BB	C	H	HA	K	KK	L	M	N	P	S	T	D	DH	E	F	G				
90S	140	37	180	177	160	100	125	56	90	10	5.8	M25×1.5	330	165	130	200	∅12	3.5	∅24	M8×19	50	8	20				
90L	140	37	180	177	160	125	150	56	90	10	7	M25×1.5	360	165	130	200	∅12	3.5	∅24	M8×19	50	8	20				
100L	160	40	205	198	172	140	172	63	100	11	7	M32×1.5	400	215	180	250	∅15	4	∅28	M10×22	60	8	24				
112M	190	41	230	220	190	140	181	70	112	12	10	M32×1.5	435	215	180	250	∅15	4	∅28	M10×22	60	8	24				

CUSTOMER APPROVAL

SIGNATURE DATE

2A90-112 B35
DIMENSION OUTLINE

DWG #

DATE		CHECKED BY	
DESIGNED BY		APPROVED BY	
ISSUE	DATE	CERTIFIED BY	
ISSUE	DATE	CERTIFIED BY	
ISSUE	DATE	CERTIFIED BY	
ISSUE	DATE	CERTIFIED BY	

CLIENT:

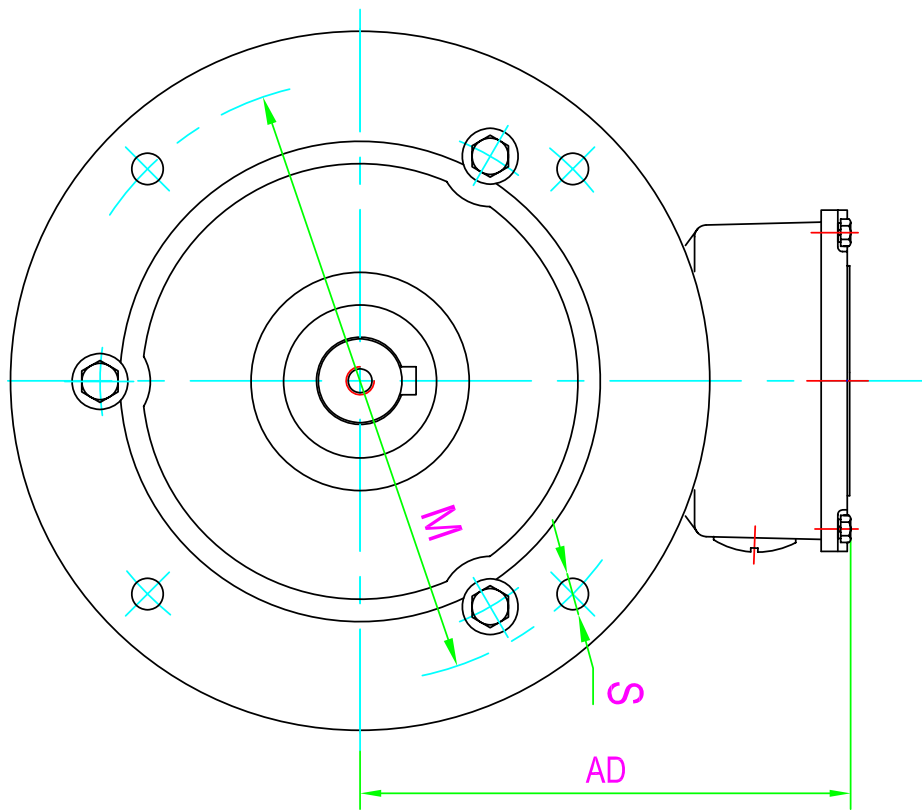
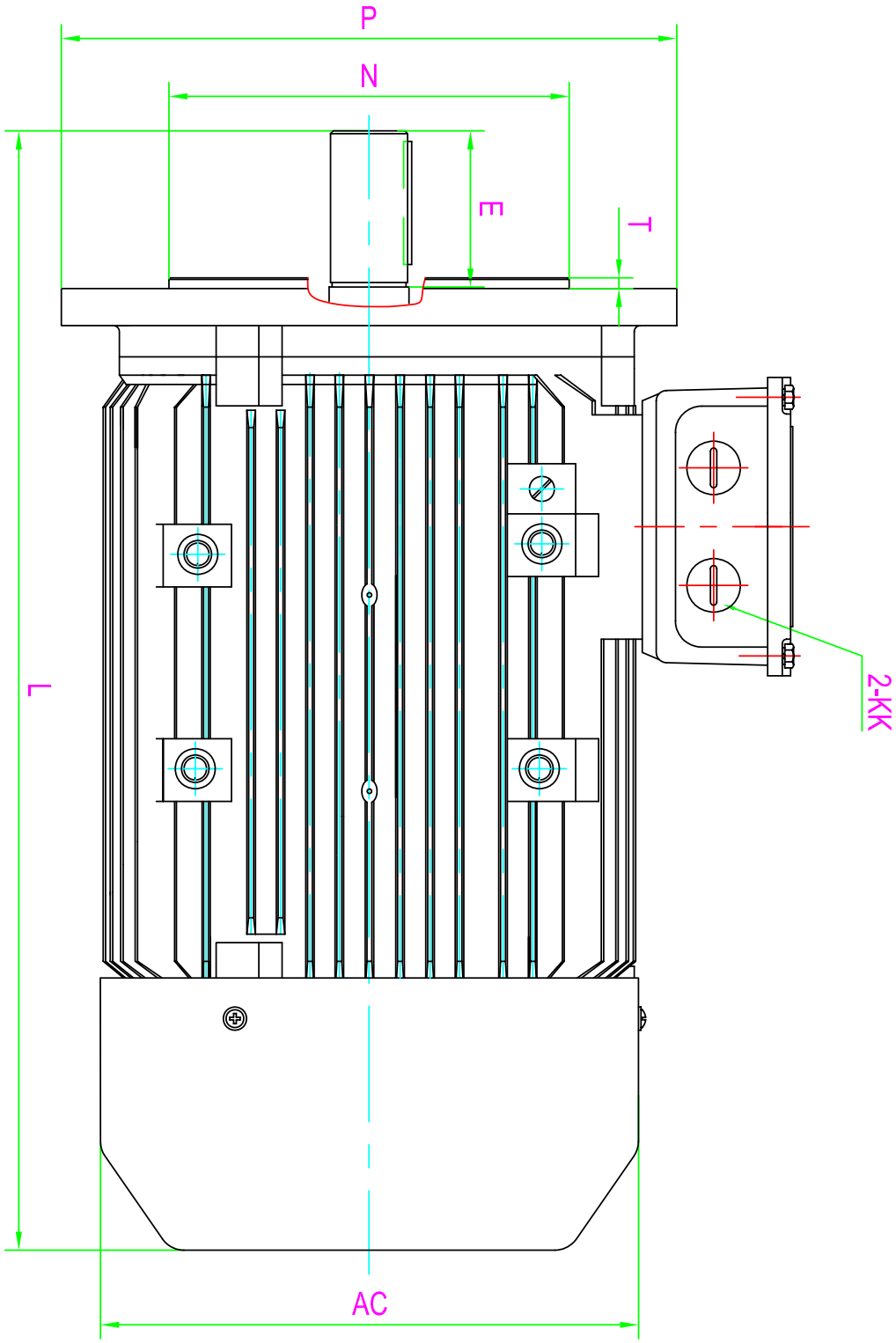
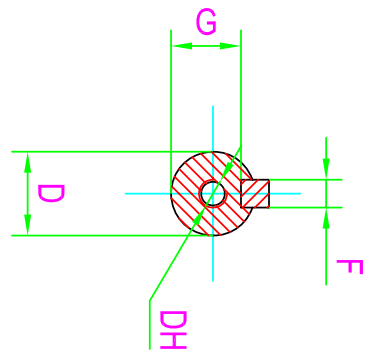
FRAME

90S

KW

VOLTS

RPM



OUTLINE DIMENSIONS FLANGE MOUNTED MOTORS

SHAFT EXT. DE ONLY

WEIGHT(kg)

AC	AD	KK	L	M	N	P	S	T	D	DH	E	F	G	2A90S-2	2A90S-4	2A90S-6	1A90S-8
177	160	M25×1.5	330	165	130	200	Ø12	3.5	24	M8×19	50	8	20				

CUSTOMER APPROVAL

SIGNATURE

DATE

2A90S B5
DIMENSION OUTLINE

DWG #

DATE	DESIGNED BY	CHECKED BY
ISSUE	ISSUE	APPROVED BY
ISSUE	ISSUE	CERTIFIED BY
ISSUE	ISSUE	CERTIFIED BY
ISSUE	ISSUE	CERTIFIED BY

CLIENT:

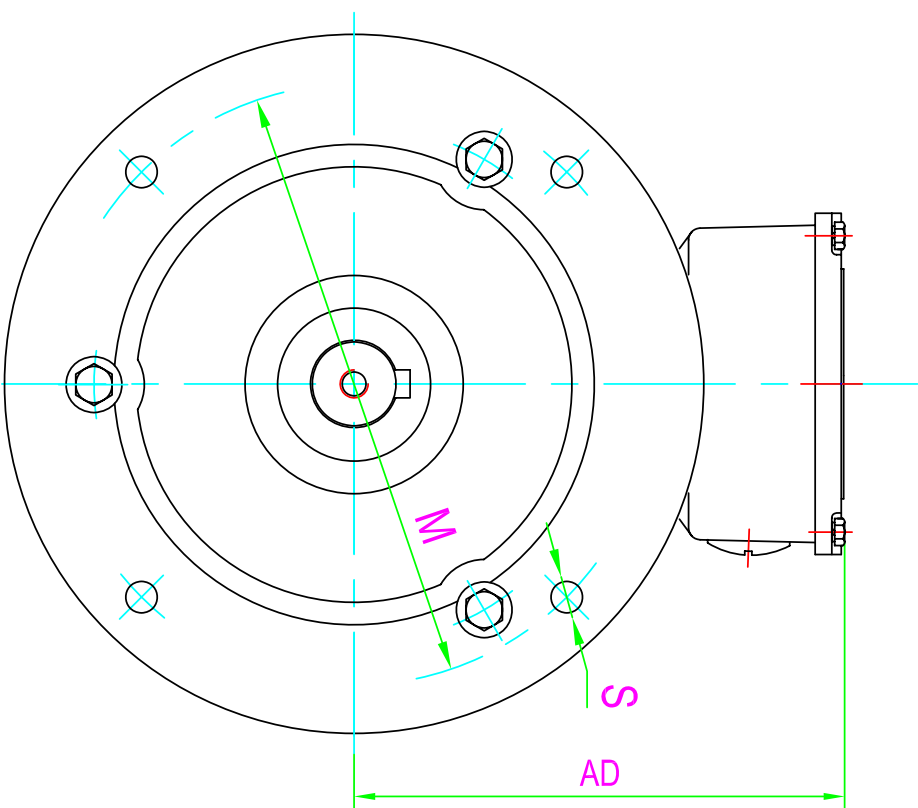
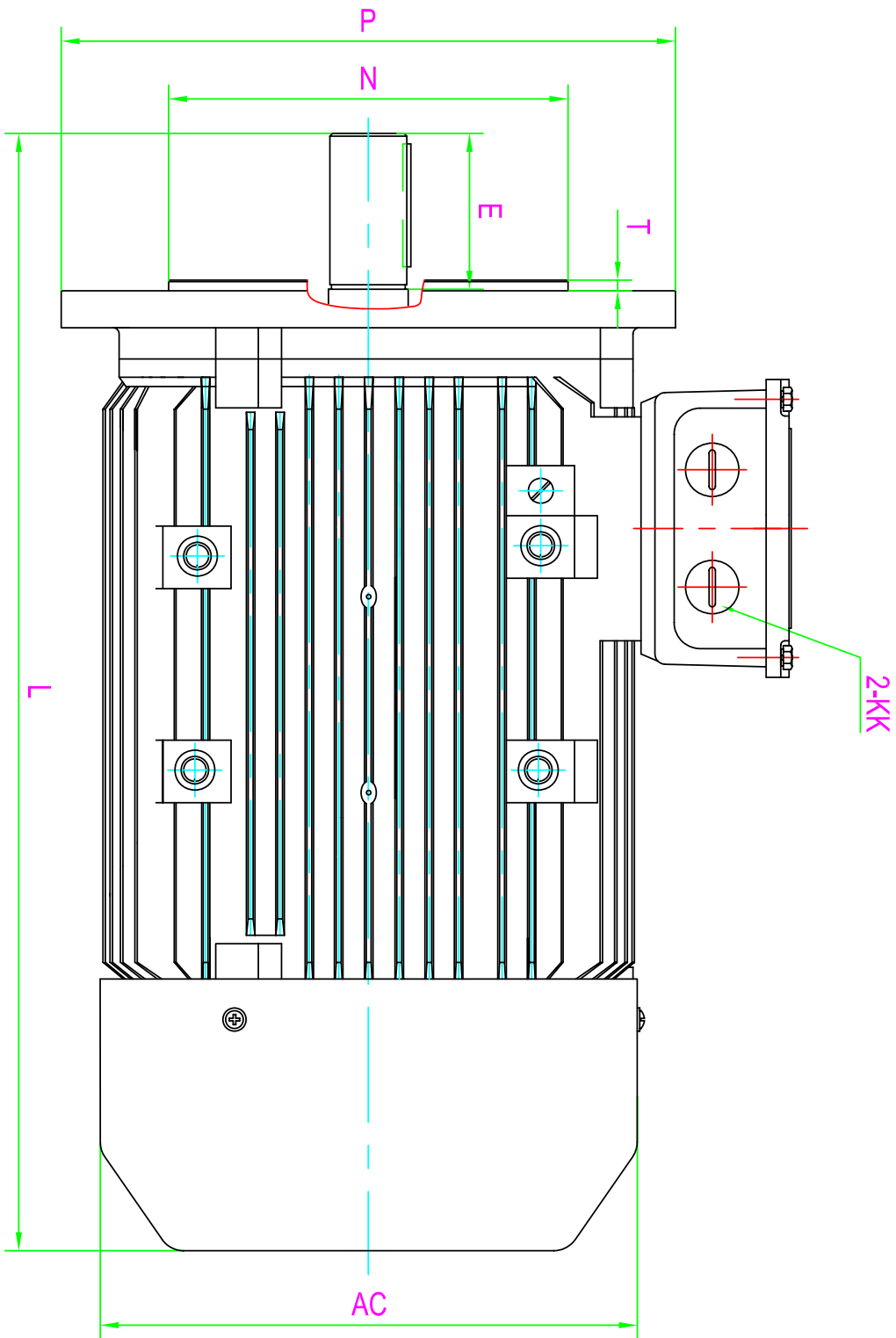
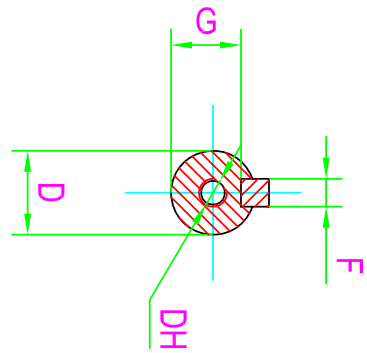
FRAME

90L

KW

VOLTS

RPM



OUTLINE DIMENSIONS FLANGE MOUNTED MOTORS

SHAFT EXT. DE ONLY

WEIGHT(kg)

AC	AD	KK	L	M	N	P	S	T	D	DH	E	F	G	2A90L-2	2A90L-4	2A90L-6	1A90L-8
177	160	M25×1.5	360	165	130	200	Ø12	3.5	24	M8×19	50	8	20				

CUSTOMER APPROVAL

SIGNATURE

DATE

2A90L B5
DIMENSION OUTLINE

DWG #

DATE

DESIGNED BY

ISSUE

ISSUE

ISSUE

CHECKED BY

APPROVED BY

CERTIFIED BY

CERTIFIED BY

CERTIFIED BY

DATE

DATE

DATE

DATE

DATE

DATE

DATE

DATE

DATE

DATE