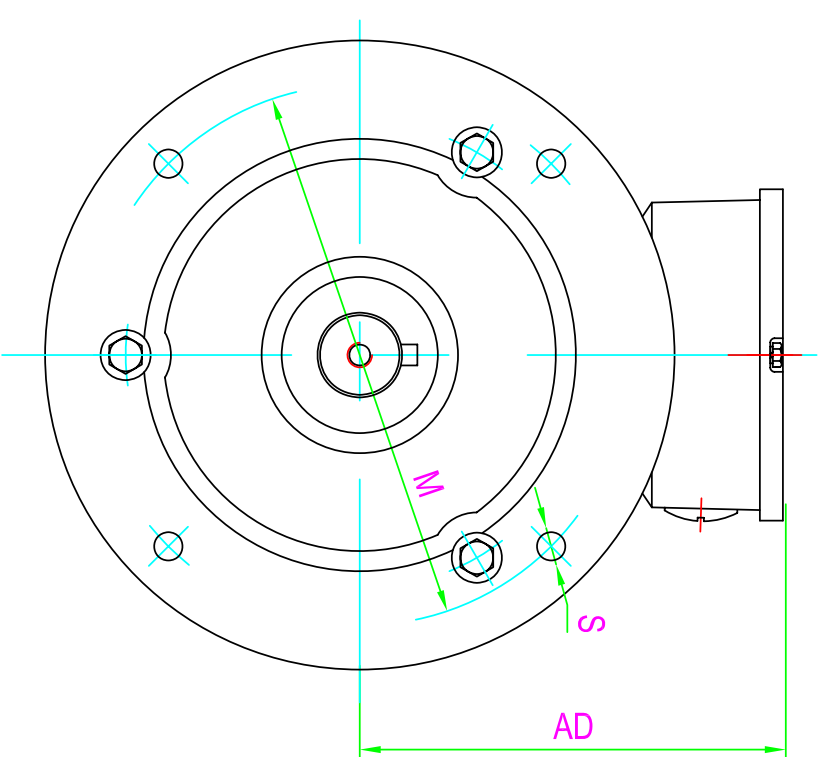
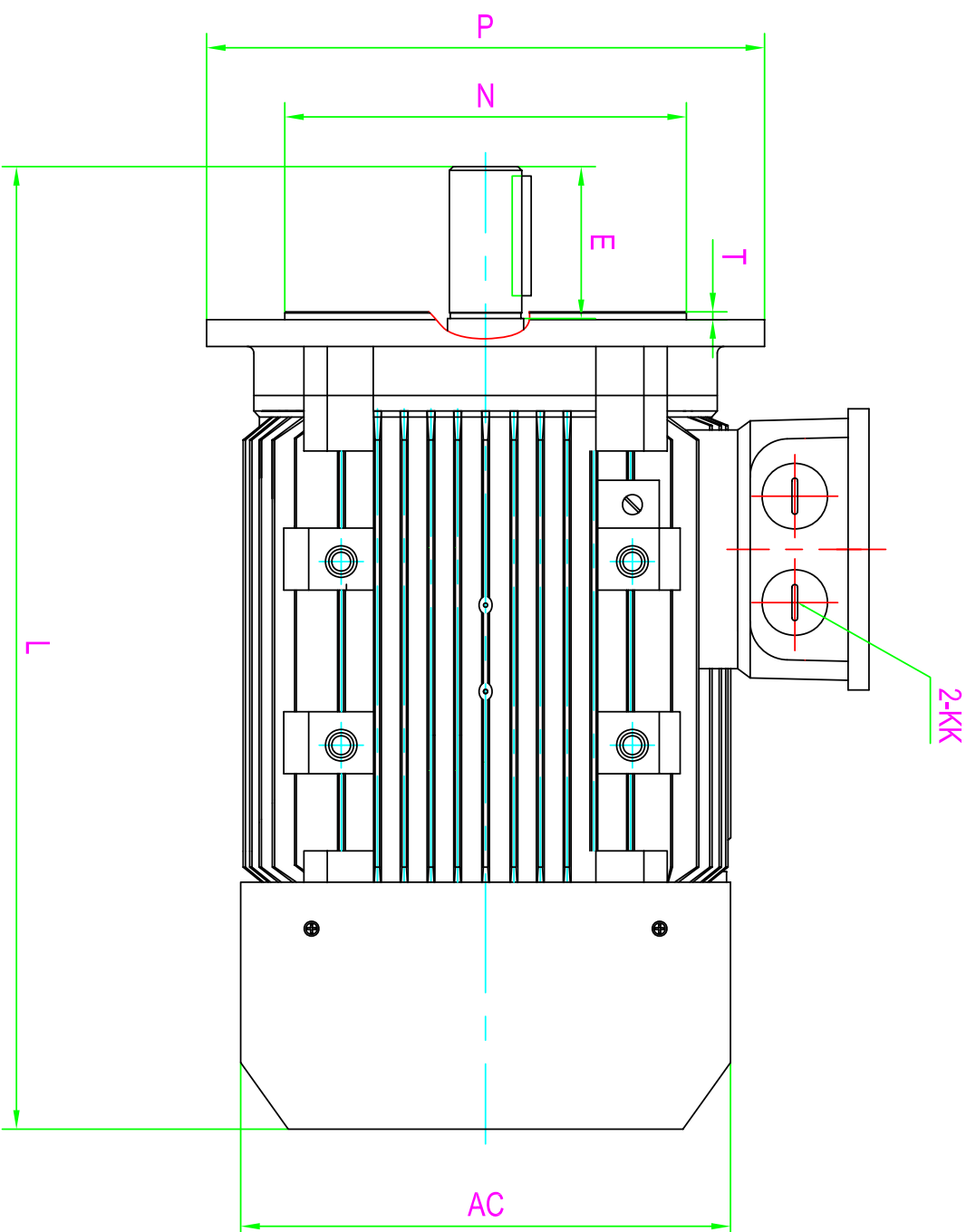
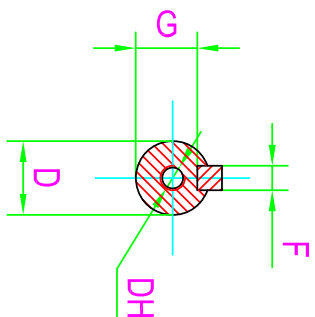


CLIENT:			
FRAME	160M	KW	
VOLTS		RPM	



OUTLINE DIMENSIONS FLANGE MOUNTED MOTORS

AC	AD	KK	L	M	N	P	S	T	D	DH	E	F	G	WEIGHT(kg)
315	255	M40×1.5	615	300	250	350	Ø19	5	42	M16X36	110	12	37	2A160M1-2
														2A160M2-2
														2A160M-4
														2A160M-6
														1A160M1-8
														1A160M2-8

SHAFT EXT. DE ONLY

WEIGHT(kg)

CUSTOMER APPROVAL

SIGNATURE

DATE

**2A160M B5**  
DIMENSION OUTLINE

DWG #

DATE	CHECKED BY
------	------------

DESIGNED BY	APPROVED BY
-------------	-------------

ISSUE	DATE	CERTIFIED BY
-------	------	--------------

ISSUE	DATE	CERTIFIED BY
-------	------	--------------

ISSUE	DATE	CERTIFIED BY
-------	------	--------------

ISSUE	DATE	CERTIFIED BY
-------	------	--------------