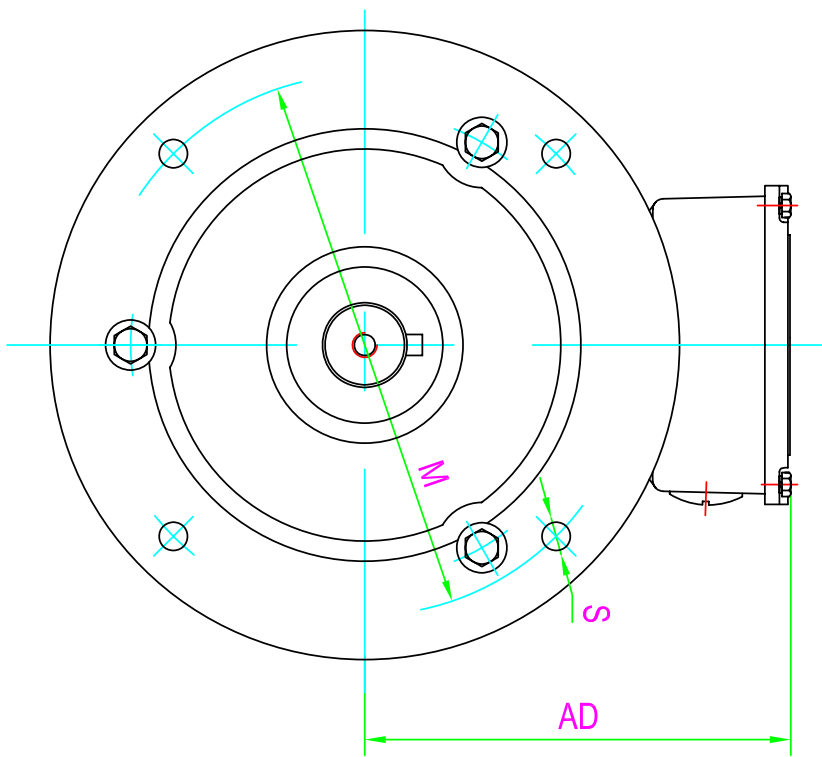
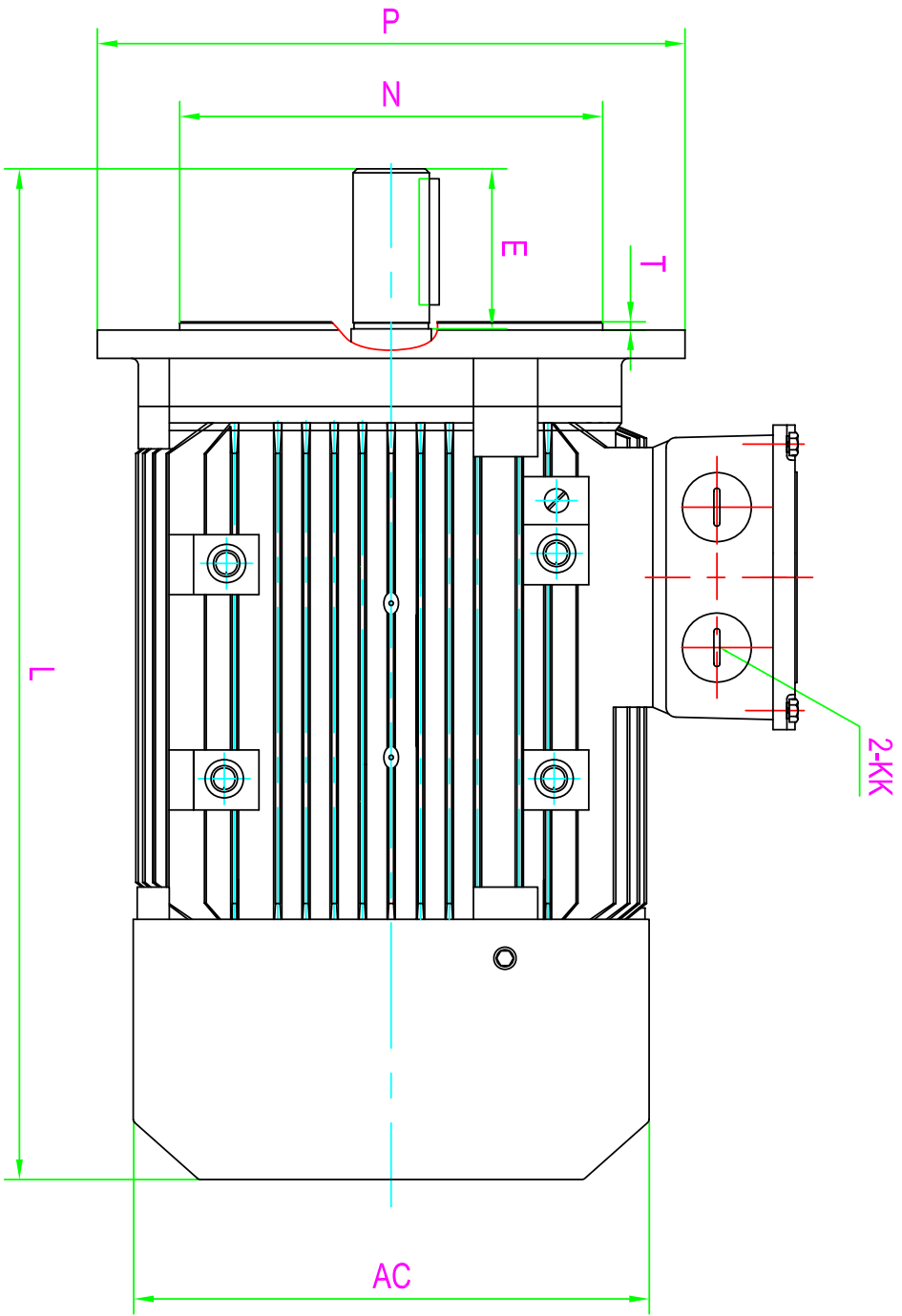


CLIENT:			
FRAME	132S	KW	
VOLTS		RPM	



OUTLINE DIMENSIONS FLANGE MOUNTED MOTORS

AC	AD	KK	L	M	N	P	S	T	D	DH	E	F	G	SHAFT EXT. DE ONLY		WEIGHT(kg)		
259	210	M32×1.5	470	265	230	300	Ø15	4	38	M12X28	80	10	33	2A132S1-2	2A132S2-2	2A132S-4	2A132S-6	1A132S-8

CUSTOMER APPROVAL

SIGNATURE

DATE

**2A132S B5**  
DIMENSION OUTLINE

DWG #

DATE	CHECKED BY	
DESIGNED BY	APPROVED BY	
ISSUE	DATE	CERTIFIED BY
ISSUE	DATE	CERTIFIED BY
ISSUE	DATE	CERTIFIED BY
ISSUE	DATE	CERTIFIED BY