

CLIENT:	FRAME	KW
	VOLTS	RPM

OUTLINE DIMENSIONS FOOT MOUNTED MOTORS

SHAFT EXT.DE ONLY

WEIGHT

A	AA	AB	AC	B	BA	BA'	BB	C	H	HA	HB	HD	K	KK	L	LD	LL	D	DH	E	ED	F	G
610	125	735	Φ735	560(355M) 630(355L)	135	205	775	254	355	49	872	995	Φ28	M63X1.5	1490	415	736	Φ75 ^{+0.030} _{+0.011}	M24X50	140	110	20	67.5 ⁰ _{-0.20}

CUSTOMER APPROVAL _____

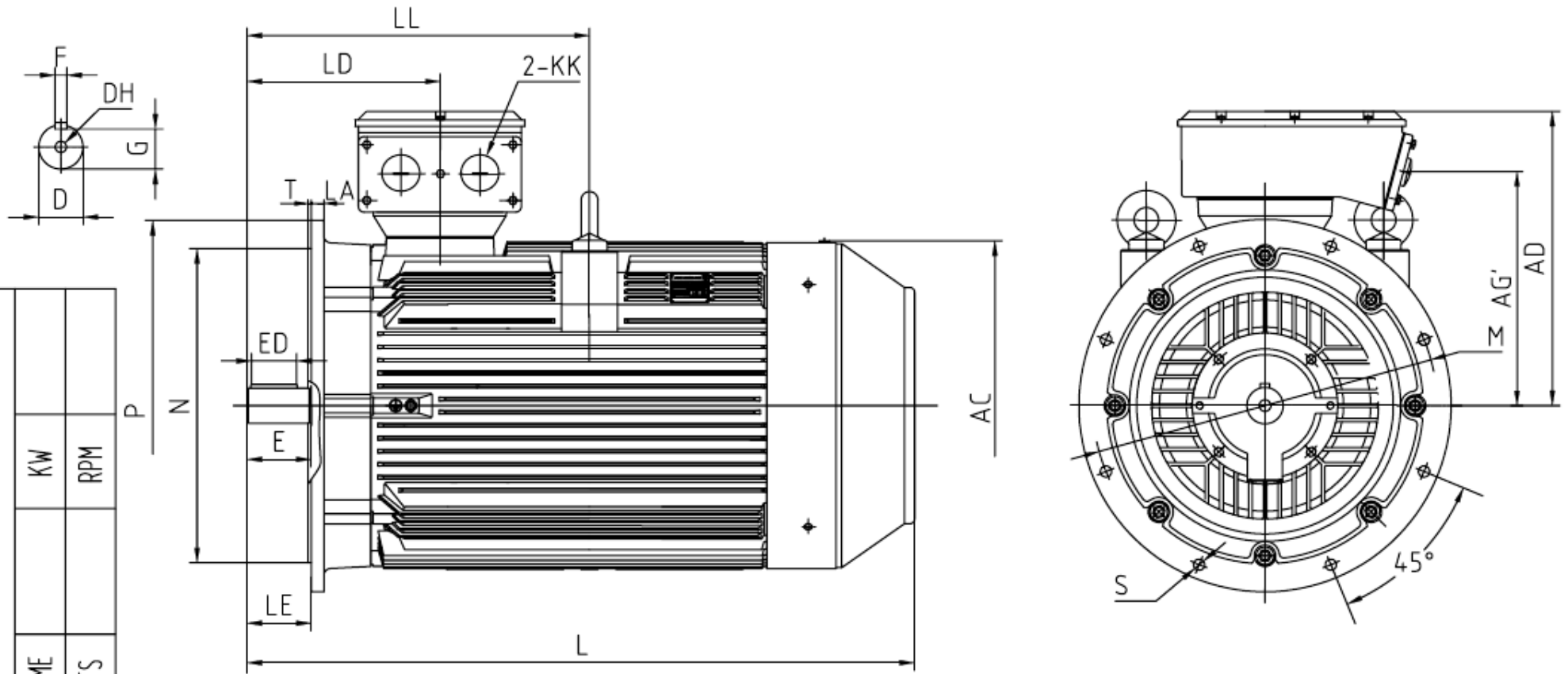
SIGNATURE

DATE

1L355 2P (B3)
DIMENSION OUTLINE

1L355001

DATE	2001.01.20	CHK	Qu Muolong
DRAWN	Qu Muabo	APPD	Zhang Wenbin
ISSUE A	DATE	CERTIFIED BY	
ISSUE B	DATE	CERTIFIED BY	
ISSUE C	DATE	CERTIFIED BY	
ISSUE D	DATE	CERTIFIED BY	



CLIENT:	FRAME	KW
	VOLTS	RPM

OUTLINE DIMENSIONS FLANGE MOUNTED MOTORS

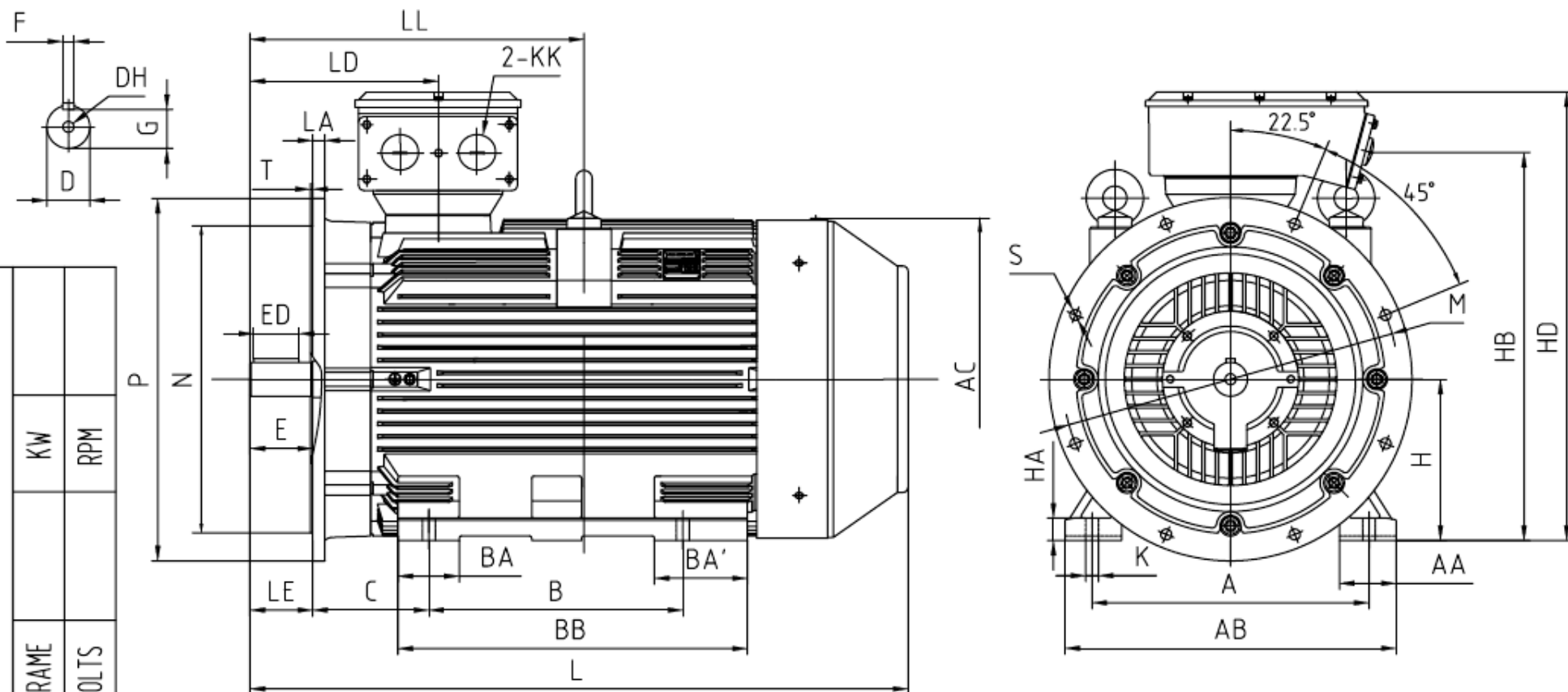
SHAFT EXT.DE ONLY

WEIGHT

AC	AD	AG'	KK	L	LA	LD	LE	LL	M	N	P	S	T					D	DH	E	ED	F	G
φ735	640	517	M63x1.5	1490	25	415	140	736	φ740	φ680	φ800	8xφ24	6					φ75 ^{+0.030} _{-0.011}	M24X50	140	110	20	67.5 ⁰ _{-0.2}

CUSTOMER APPROVAL _____
 SIGNATURE _____ DATE _____

1L355 2P (B5) DIMENSION OUTLINE	DATE	2001.01.20	CHK	Ou Huolong
	DRAWN	Ou Huabo	APPD	Zhang Wenbin
1L355002	ISSUE	A	DATE	CERTIFIED BY
	ISSUE	B	DATE	CERTIFIED BY
	ISSUE	C	DATE	CERTIFIED BY
	ISSUE	D	DATE	CERTIFIED BY



CLIENT:	FRAME	KW
	VOLTS	RPM

OUTLINE DIMENSIONS FOOT MOUNTED MOTORS

SHAFT EXT.DE ONLY

WEIGHT

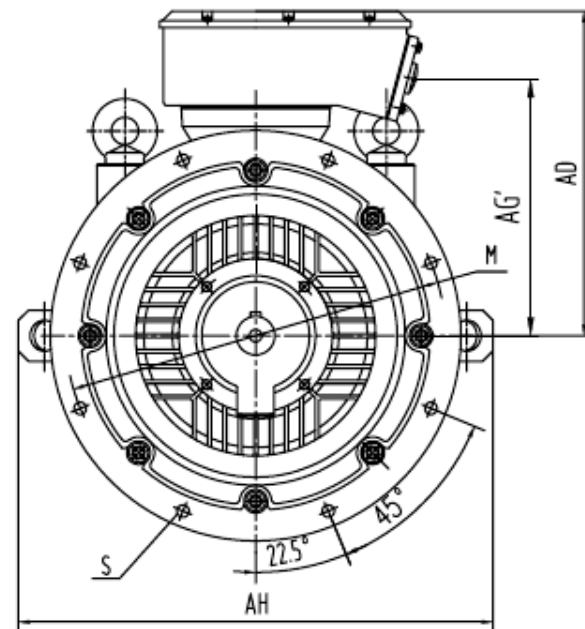
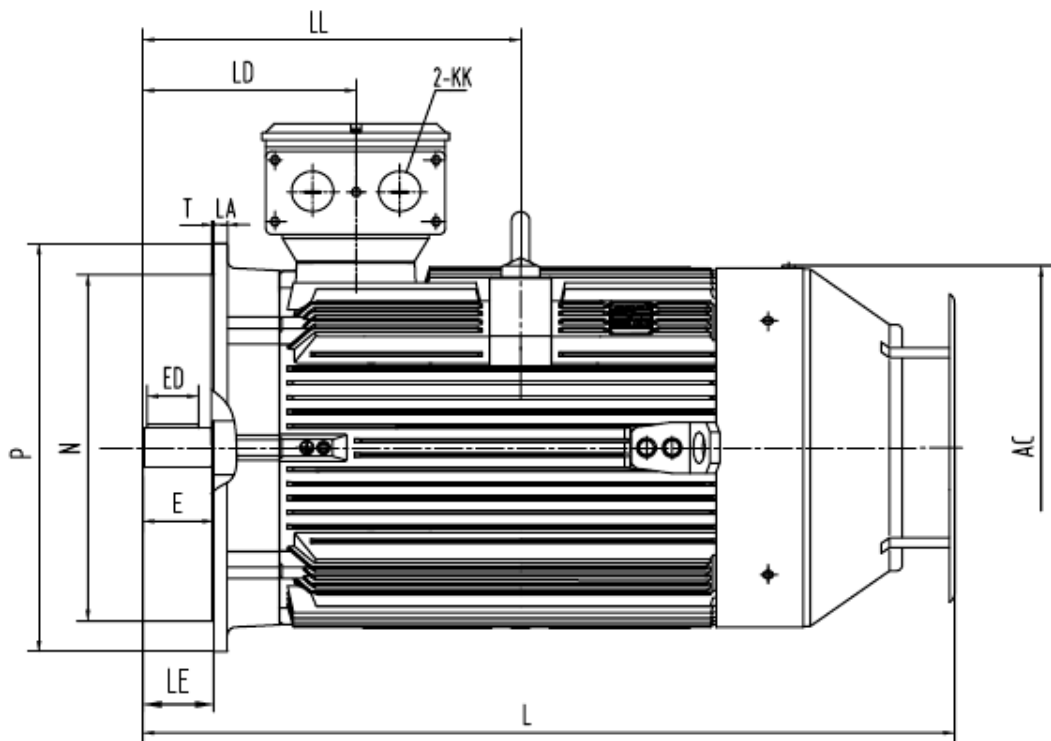
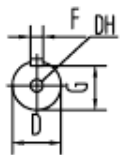
A	AA	AB	AC	B	BA	BA'	BB	C	H	HA	HB	HD	K	KK	L	LA	LD	D	DH	E	ED	F	G
610	125	735	Φ735	560(355M) 630(355L)	135	205	775	254	355	49	872	995	Φ28	M63X1.5	1490	25	415	Φ75 ^{+0.030} -0.011	M24X50	140	110	20	67.5 ⁰ -0.20

LE	LL	M	N	P	S	T
140	736	740	Φ680	Φ800	8xΦ24	6

CUSTOMER APPROVAL _____
SIGNATURE _____ DATE _____

1L355 2P (B35)		DATE	2001.01.20	CHK	Qu Huabao
DIMENSION OUTLINE		DRAWN	Qu Huabao	APPD	Zhang Wenbin
ISSUE	A	DATE		CERTIFIED BY	
ISSUE	B	DATE		CERTIFIED BY	
ISSUE	C	DATE		CERTIFIED BY	
ISSUE	D	DATE		CERTIFIED BY	

1L355003



CLIENT:	FRAME	KW
	VOLTS	RPM

OUTLINE DIMENSIONS FLANGE MOUNTED MOTORS

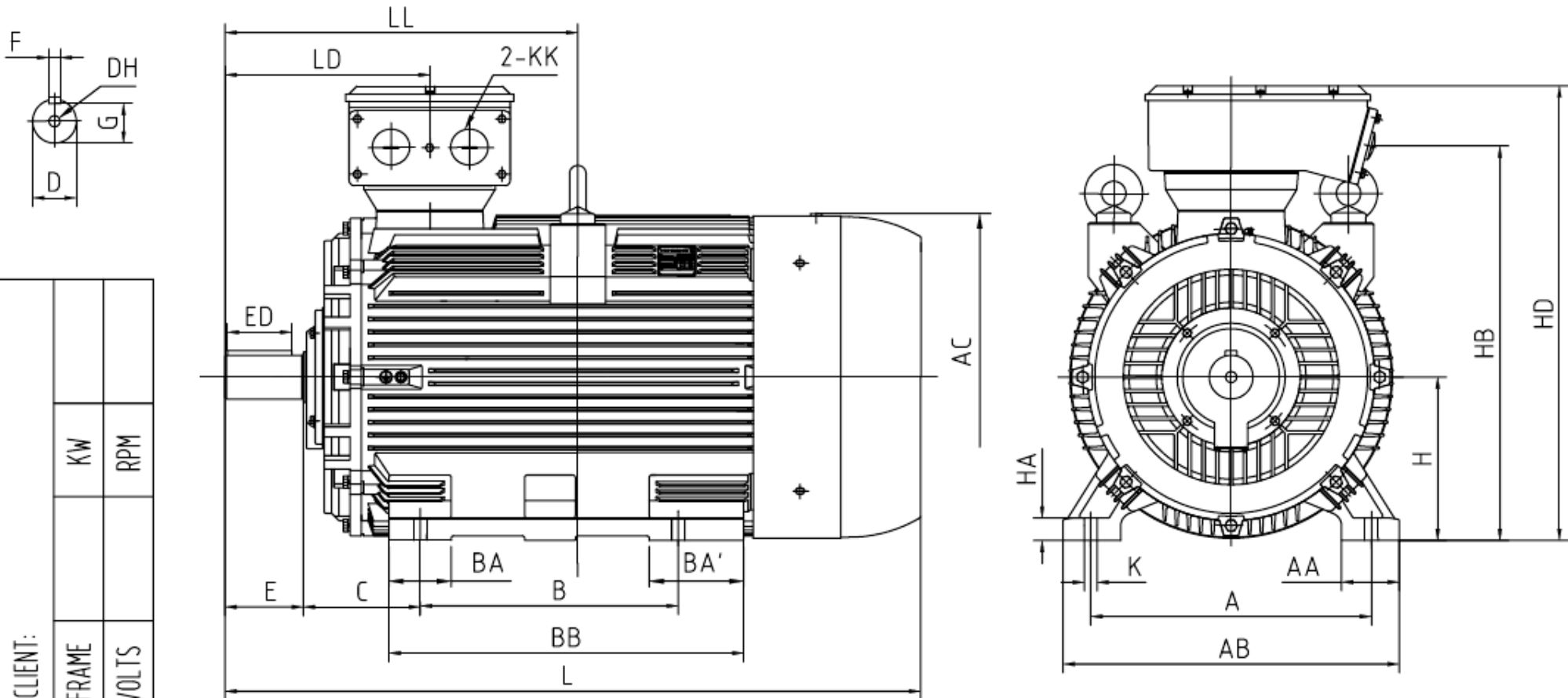
SHAFT EXT.DE ONLY

WEIGHT

AC	AD	AH	AG'	KK	L	LA	LD	LE	LL	M	N	P	S	T				D	DH	E	ED	F	G	
φ735	640	930	517	M63×1.5	1590	25	415	140	736	φ740	φ680	φ800	8×φ24	6				φ75 ^{+0.035} _{+0.013}	M24×50	140	110	20	67.5 ⁰ _{-0.2}	

CUSTOMER APPROVAL _____
SIGNATURE DATE

1L355-2P (V1) DIMENSION OUTLINE	DATE	2002.01.20	CHK	Ou Huadong
	DRAWN	Ou Huabo	APPD	Zhang Wenbin
	ISSUE A	DATE	CERTIFIED BY	
	ISSUE B	DATE	CERTIFIED BY	
1L355004	ISSUE C	DATE	CERTIFIED BY	
	ISSUE D	DATE	CERTIFIED BY	



CLIENT:			
FRAME	KW	RPM	
VOLTS			

OUTLINE DIMENSIONS FOOT MOUNTED MOTORS

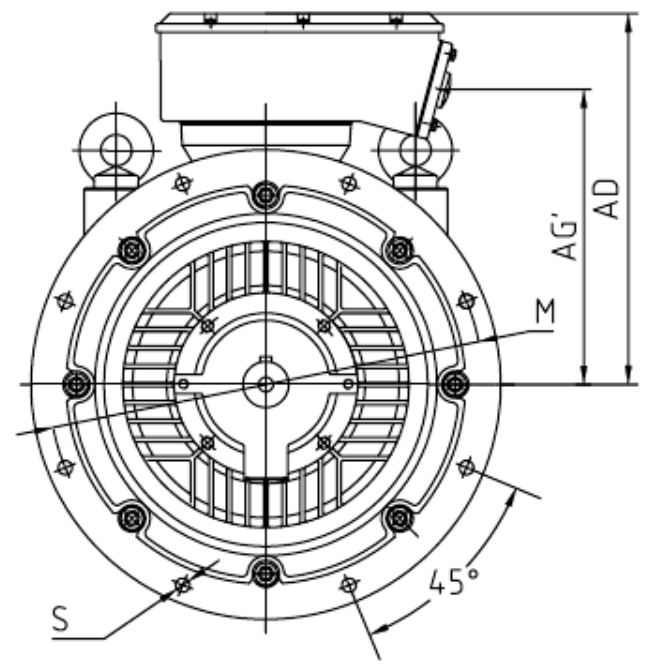
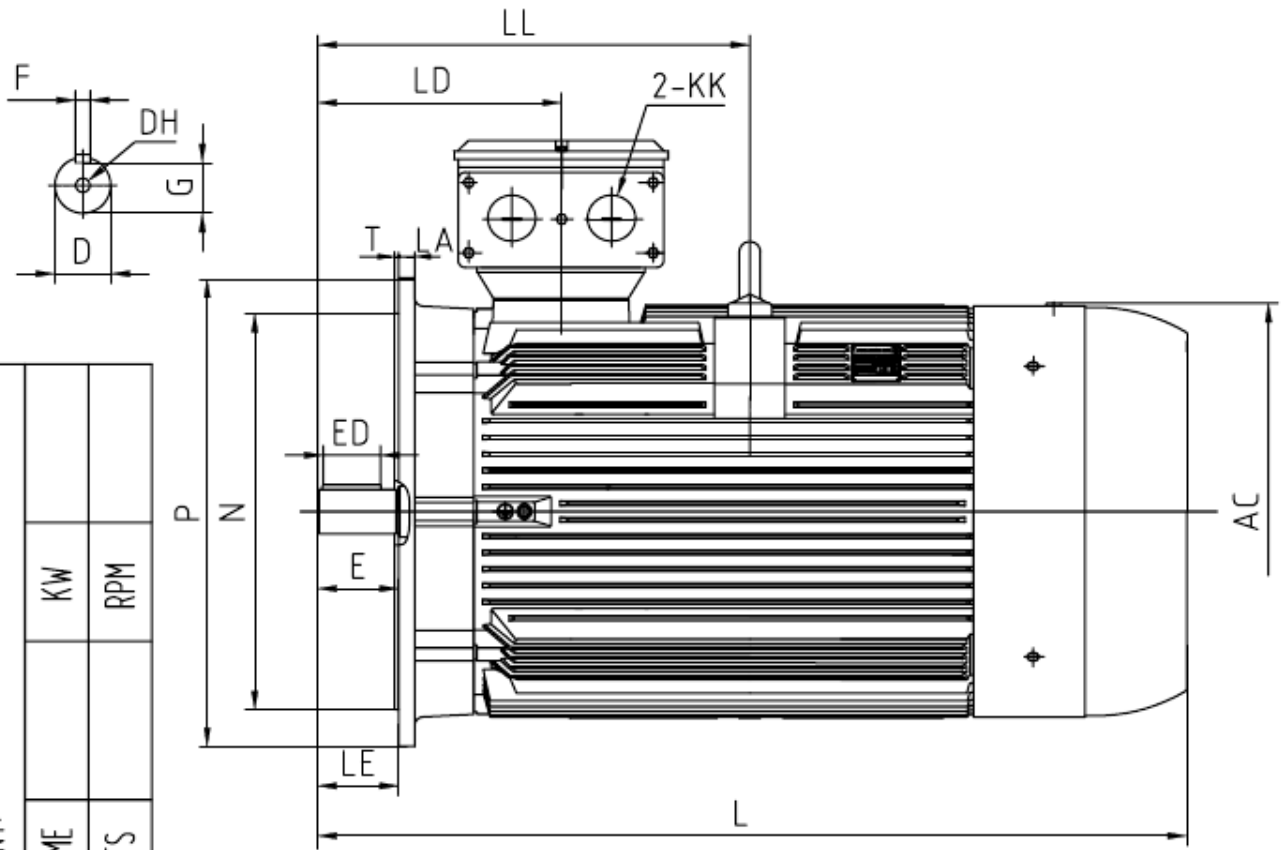
SHAFT EXT.DE ONLY

WEIGHT

A	AA	AB	AC	B	BA	BA'	BB	C	H	HA	HB	HD	K	KK	L	LD	LL	D	DH	E	ED	F	G
610	125	735	Φ735	560(355M) 630(355L)	135	205	775	254	355	49	872	995	Φ28	M63X1.5	1520	445	806	Φ100 ^{+0.035} Φ100 ^{+0.013}	M24X50	210	140	28	90 ⁰ -0.20

CUSTOMER APPROVAL _____
SIGNATURE DATE

1L355 4-8P (B3) DIMENSION OUTLINE 1L355005	DATE	20010120	CHK	Ou Huolong
	DRAWN	Ou Huabo	APPD	Zhang Wenbin
	ISSUE A	DATE	CERTIFIED BY	
	ISSUE B	DATE	CERTIFIED BY	
	ISSUE C	DATE	CERTIFIED BY	
	ISSUE D	DATE	CERTIFIED BY	



CLIENT:	FRAME	KW	RPM
	VOLTS		

OUTLINE DIMENSIONS FLANGE MOUNTED MOTORS

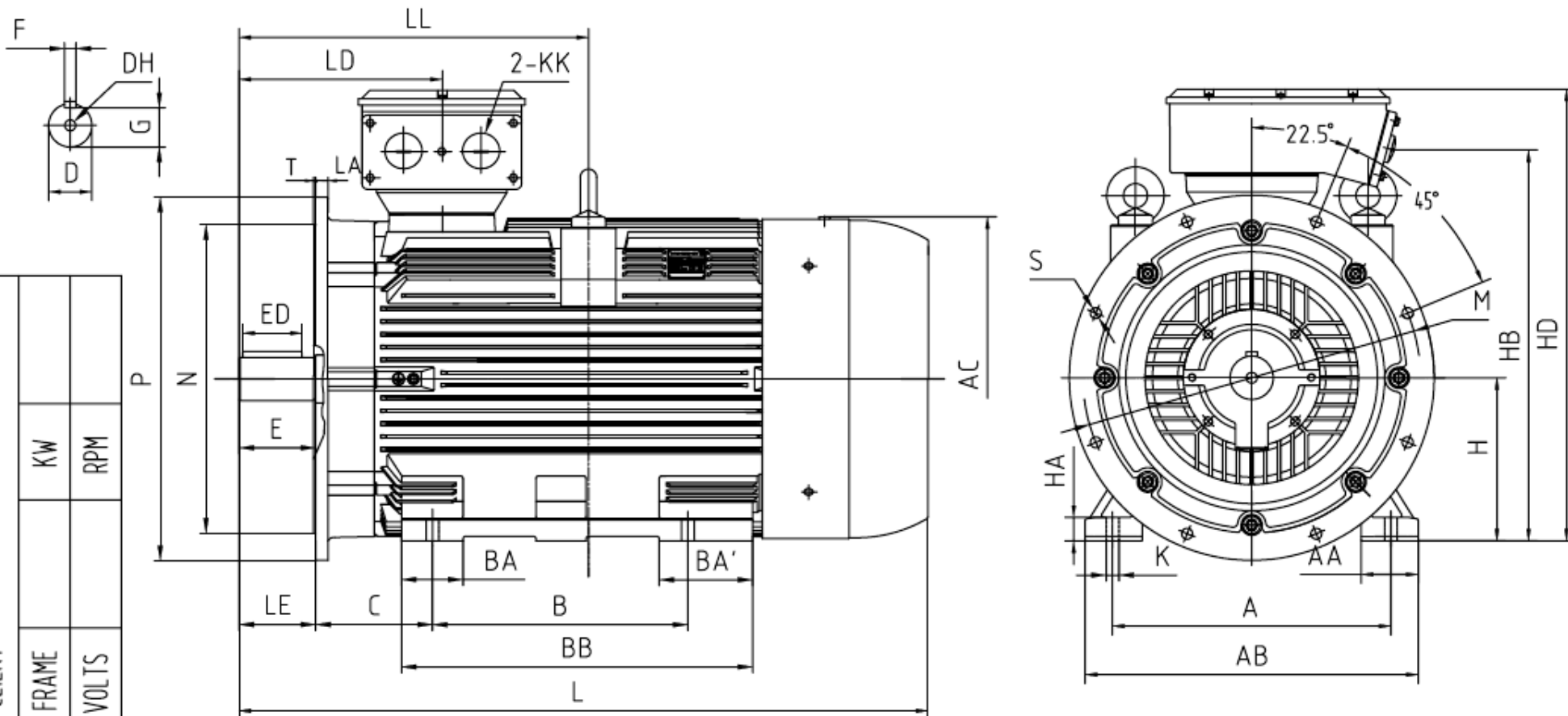
SHAFT EXT.DE ONLY

WEIGHT

AC	AD	AG'	KK	L	LA	LD	LE	LL	M	N	P	S	T					D	DH	E	ED	F	G	
φ735	640	517	M63x1.5	1520	25	445	170	806	φ740	φ680	φ800	8xφ24	6					φ100 ^{+0.035} _{+0.013}	M24 X50	210	140	28	90 ⁰ _{-0.2}	

CUSTOMER APPROVAL _____
 SIGNATURE _____ DATE _____

1L355 4-8P (B5) DIMENSION OUTLINE	DATE	2001.01.20	CHK	Ou Huolong
	DRAWN	Ou Huabo	APPD	Zhang Wenbin
	ISSUE A	DATE	CERTIFIED BY	
	ISSUE B	DATE	CERTIFIED BY	
1L355006	ISSUE C	DATE	CERTIFIED BY	
	ISSUE D	DATE	CERTIFIED BY	



CLIENT:	FRAME	KW	RPM
	VOLTS		

OUTLINE DIMENSIONS FOOT-FLANGE MOUNTED MOTORS

SHAFT EXT.DE ONLY

WEIGHT

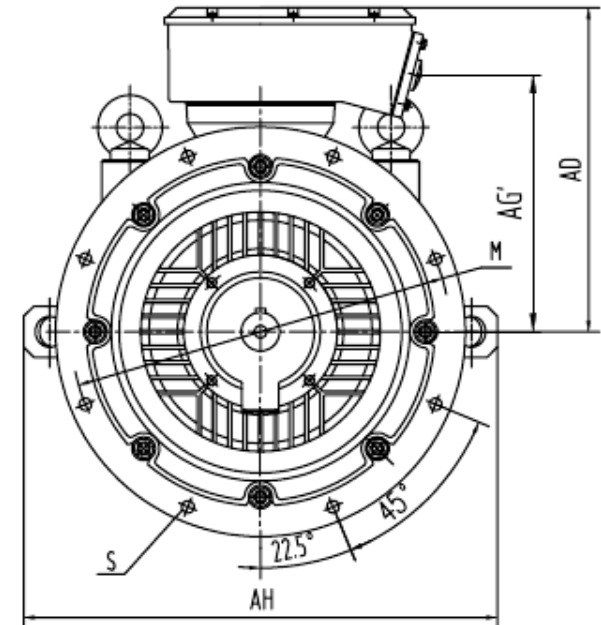
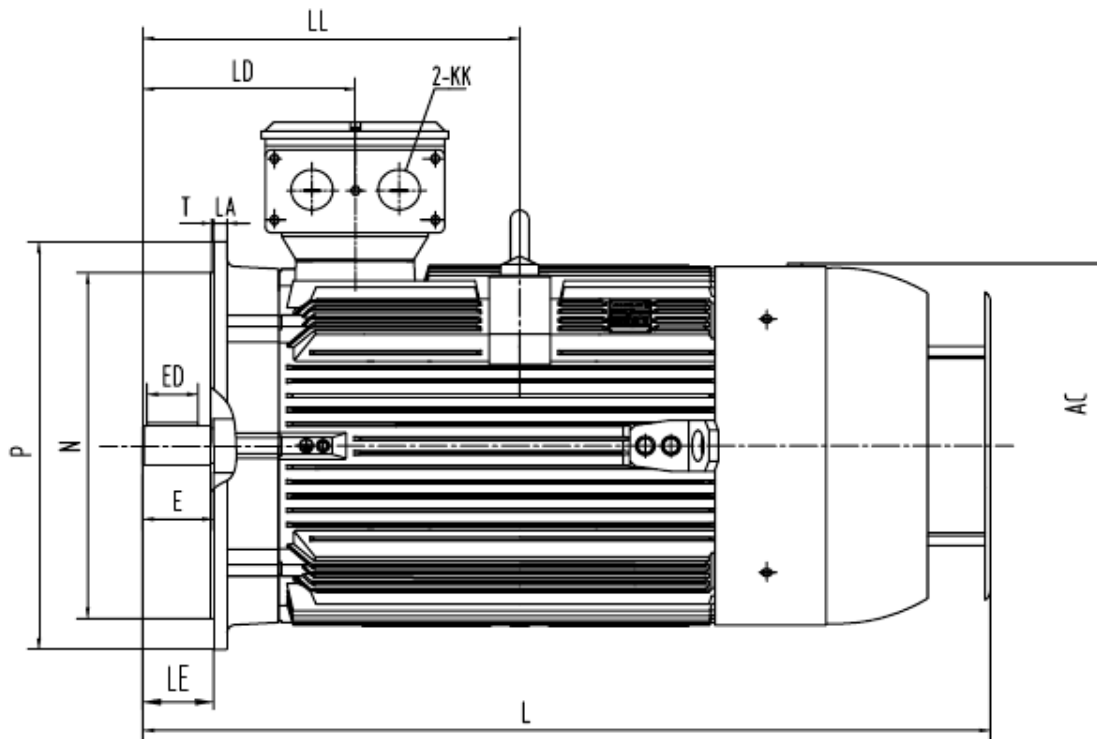
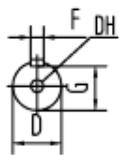
A	AA	AB	AC	B	BA	BA'	BB	C	H	HA	HB	HD	K	KK	L	LA	LD	D	DH	E	ED	F	G
610	125	735	Φ735	560(355M) 630(355L)	135	205	775	254	355	49	872	995	Φ28	M63X1.5	1520	25	445	Φ100 ^{+0.035} -0.013	M24X50	210	140	28	90 ⁰ -0.20

LE	LL	M	N	P	S	T
170	806	740	Φ680	Φ800	8XΦ24	6

CUSTOMER APPROVAL _____
SIGNATURE _____ DATE _____

1L355 4-8P (B35)		DATE	2001.01.20	CHK	Ou Huolong
DIMENSION OUTLINE		DRAWN	Ou Huabo	APPD	Zhang Wenbin
ISSUE	A	DATE		CERTIFIED BY	
ISSUE	B	DATE		CERTIFIED BY	
ISSUE	C	DATE		CERTIFIED BY	
ISSUE	D	DATE		CERTIFIED BY	

1L355007



CLIENT:

FRAME	KW
VOLTS	RPM

OUTLINE DIMENSIONS FLANGE MOUNTED MOTORS

SHAFT EXT.DE ONLY

WEIGHT

AC	AD	AH	AG'	KK	L	LA	LD	LE	LL	M	N	P	S	T			D	DH	E	ED	F	G
φ735	640	930	517	M63×1.5	1620	25	445	170	806	φ740	φ680	φ800	8×φ24	6			φ ^{+0.035} _{1.00} ^{+0.013}	M24×50	210	110	28	90 ⁰ _{-0.2}

CUSTOMER APPROVAL _____

SIGNATURE

DATE

1L355 4-8P (V1)
DIMENSION OUTLINE

1L355008

DATE	2002.01.20	CHK	Ou Huolong
DRAWN	Ou Huabo	APPD	Zhang Wenbin
ISSUE	A	DATE	CERTIFIED BY
ISSUE	B	DATE	CERTIFIED BY
ISSUE	C	DATE	CERTIFIED BY
ISSUE	D	DATE	CERTIFIED BY