

CLIENT:

FRAME	KW
VOLTS	RPM

OUTLINE DIMENSIONS FOOT MOUNTED MOTORS

SHAFT EXT.DE ONLY

WEIGHT

A	AA	AB	AC	B	BB	C	H	HA	HB	HD	K	KK	L	LD	D	DH	E	ED	F	G
140	36	180	φ190	100 (90S) 125 (90L)	160	56	90	12.5	198.5	230	φ10	M25X1.5	345	131	φ24 <sup>+0.009</sup> <sub>-0.004</sub>	M8X19	50	40	8	20 <sup>0</sup> <sub>-0.2</sub>

CUSTOMER APPROVAL \_\_\_\_\_

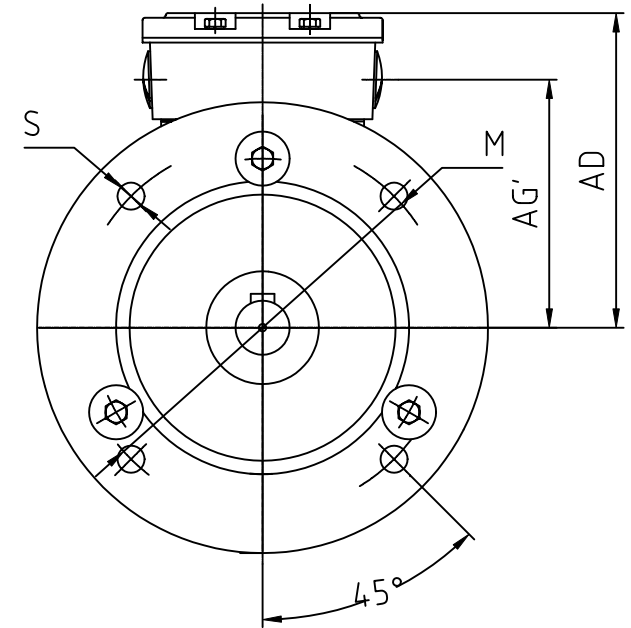
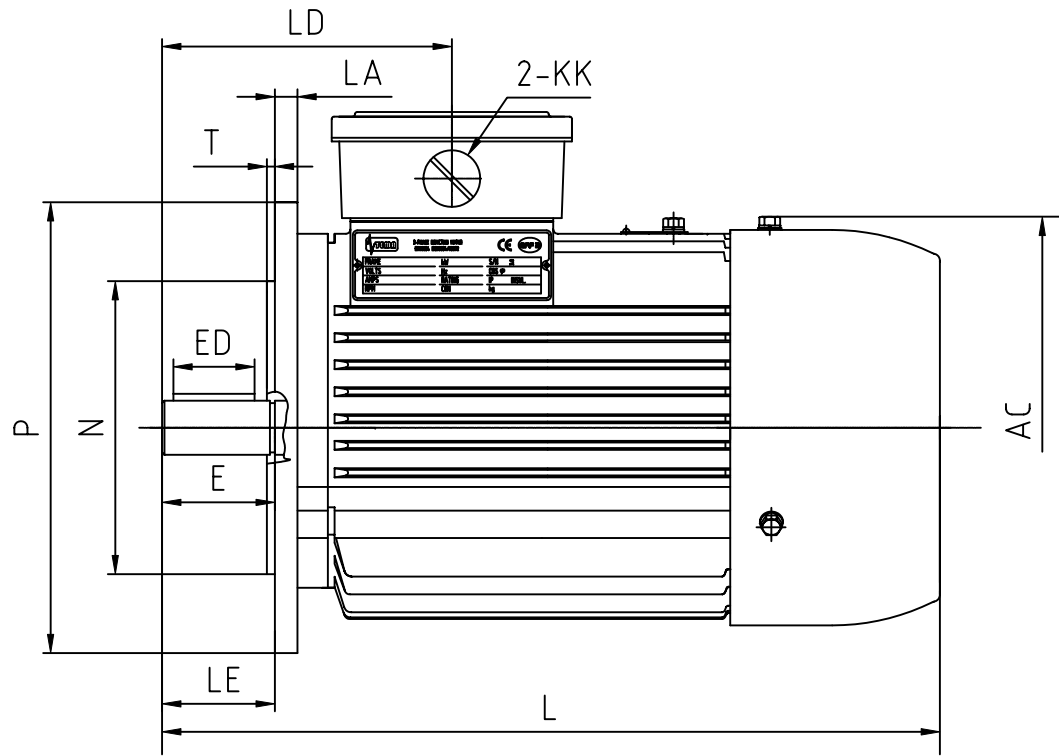
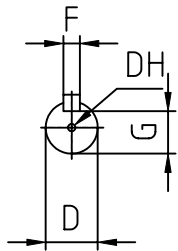
SIGNATURE

DATE

1L90 (B3)  
DIMENSION OUTLINE

1L900001

DATE	2002.01.20	CHK	Qu Hualong
DRAWN	Wang Qingdong	APPD	Zhang Wenbin
ISSUE A	DATE	CERTIFIED BY	
ISSUE B	DATE	CERTIFIED BY	
ISSUE C	DATE	CERTIFIED BY	
ISSUE D	DATE	CERTIFIED BY	



CLIENT:  
 FRAME KW  
 VOLTS RPM

OUTLINE DIMENSIONS FLANGE MOUNTED MOTORS

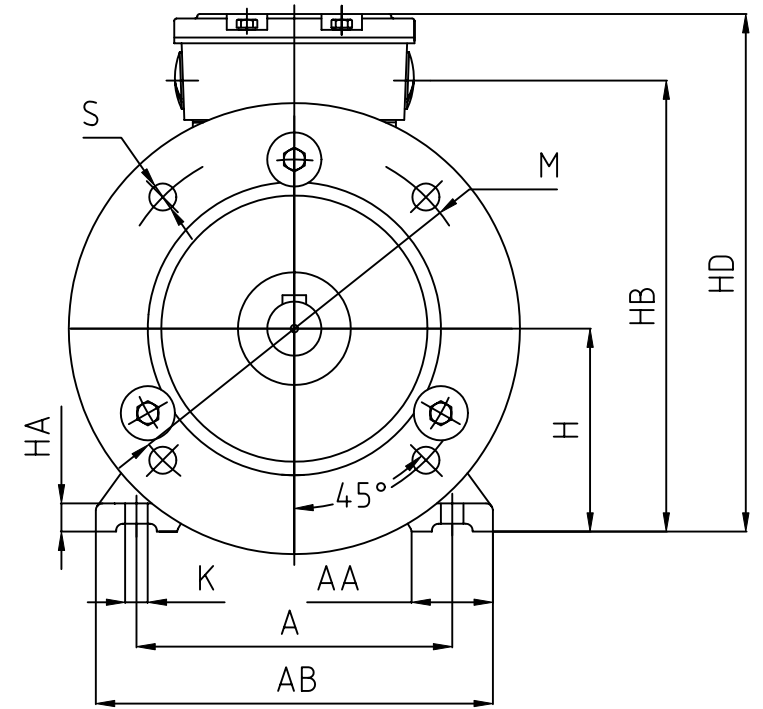
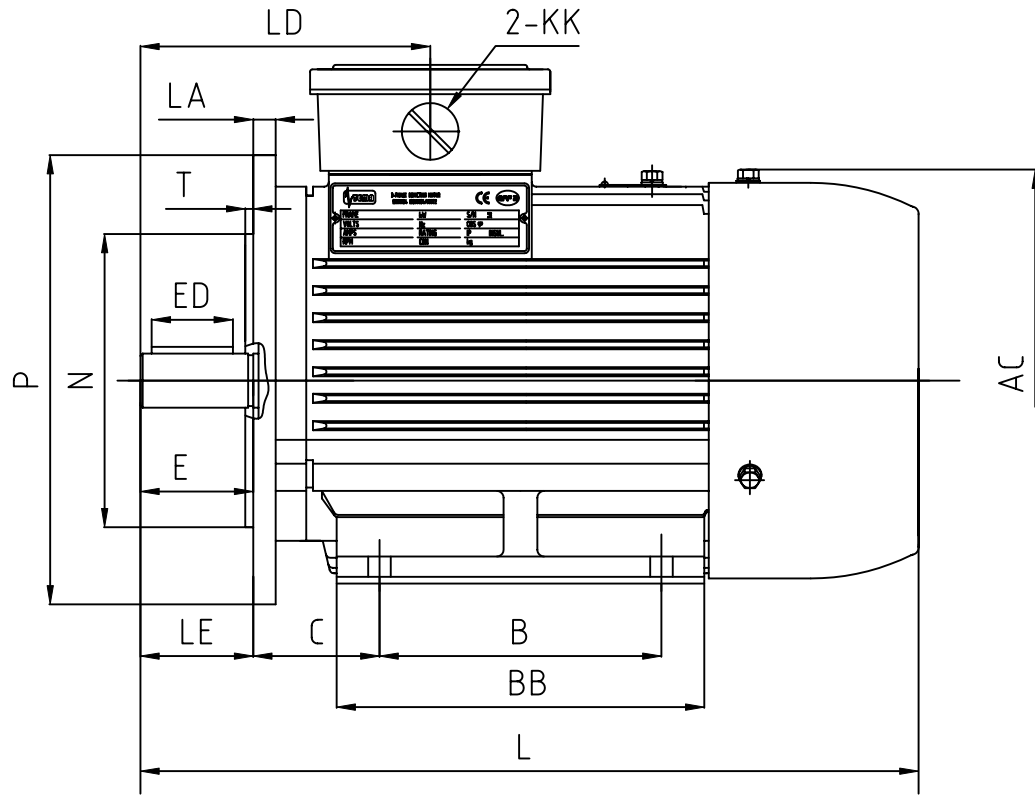
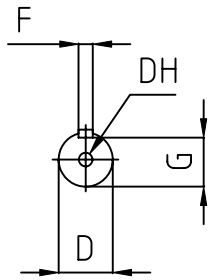
SHAFT EXT.DE ONLY

WEIGHT

AC	AD	AG'	KK	L	LA	LD	LE	M	N	P	S	T					D	DH	E	ED	F	G
φ190	140	108.5	M25X1.5	345	12	131	50	φ165	φ130	φ200	4×φ12	3.5					φ24 <sup>+0.009</sup> <sub>-0.004</sub>	M8×19	50	40	8	20 <sup>0</sup> <sub>-0.2</sub>

CUSTOMER APPROVAL \_\_\_\_\_  
 SIGNATURE DATE

1L90 (B5) DIMENSION OUTLINE	DATE	2002.01.20	CHK	Qu Hualong
	DRAWN	Wang Qingdong	APPD	Zhang Wenbin
1L900002	ISSUE A	DATE	CERTIFIED BY	
	ISSUE B	DATE	CERTIFIED BY	
	ISSUE C	DATE	CERTIFIED BY	
	ISSUE D	DATE	CERTIFIED BY	



CLIENT:		
FRAME	KW	RPM
VOLTS		

OUTLINE DIMENSIONS FOOT-FLANGE MOUNTED MOTORS

SHAFT EXT.DE ONLY

WEIGHT

A	AA	AB	AC	B		BB	C	H	HA	HB	HD	K	KK	L	LA	LD	LE	D	DH	E	ED	F	G
140	36	180	φ190	100 (90S)	125 (90L)	160	56	90	12.5	198.5	230	φ10	M25X1.5	345	12	131	50	φ24 <sup>+0.009</sup> <sub>-0.004</sub>	M8X19	50	40	8	20 <sup>0</sup> <sub>-0.2</sub>

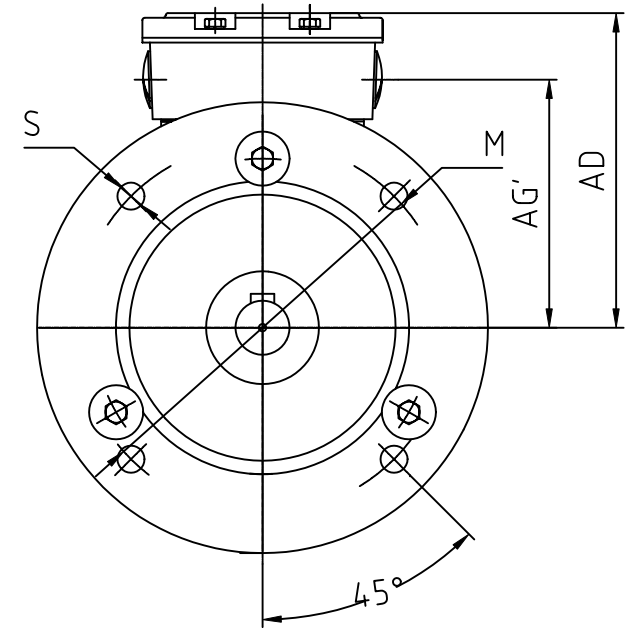
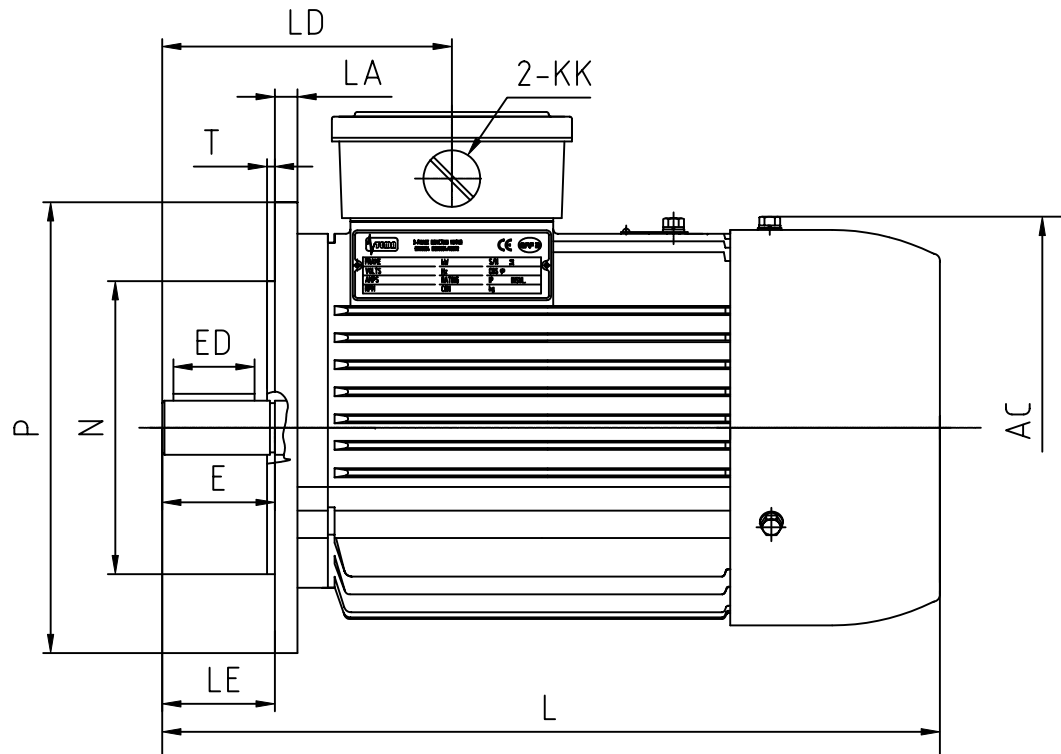
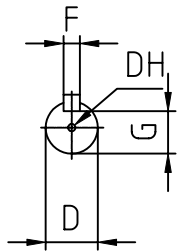
M	N	P	S	T
φ165	φ130	φ200	4Xφ12	3.5

CUSTOMER APPROVAL \_\_\_\_\_  
SIGNATURE DATE

1190 (B35)  
DIMENSION OUTLINE

1L900003

DATE	2002.01.20	CHK	Qu Huadong
DRAWN	Wang Qingdong	APPD	Zhang Wenbin
ISSUE A	DATE	CERTIFIED BY	
ISSUE B	DATE	CERTIFIED BY	
ISSUE C	DATE	CERTIFIED BY	
ISSUE D	DATE	CERTIFIED BY	



CLIENT:

FRAME	KW
VOLTS	RPM

OUTLINE DIMENSIONS FLANGE MOUNTED MOTORS

SHAFT EXT.DE ONLY

WEIGHT

AC	AD	AG'	KK	L	LA	LD	LE	M	N	P	S	T						D	DH	E	ED	F	G
φ190	140	108.5	M25X1.5	345	12	131	50	φ165	φ130	φ200	4×φ12	3.5						φ24 <sup>+0.009</sup> <sub>-0.004</sub>	M8×19	50	40	8	20 <sup>0</sup> <sub>-0.2</sub>

CUSTOMER APPROVAL \_\_\_\_\_

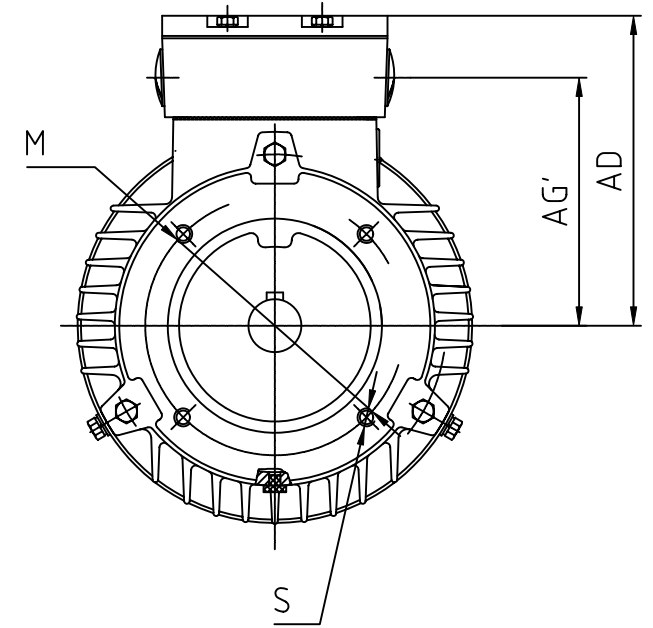
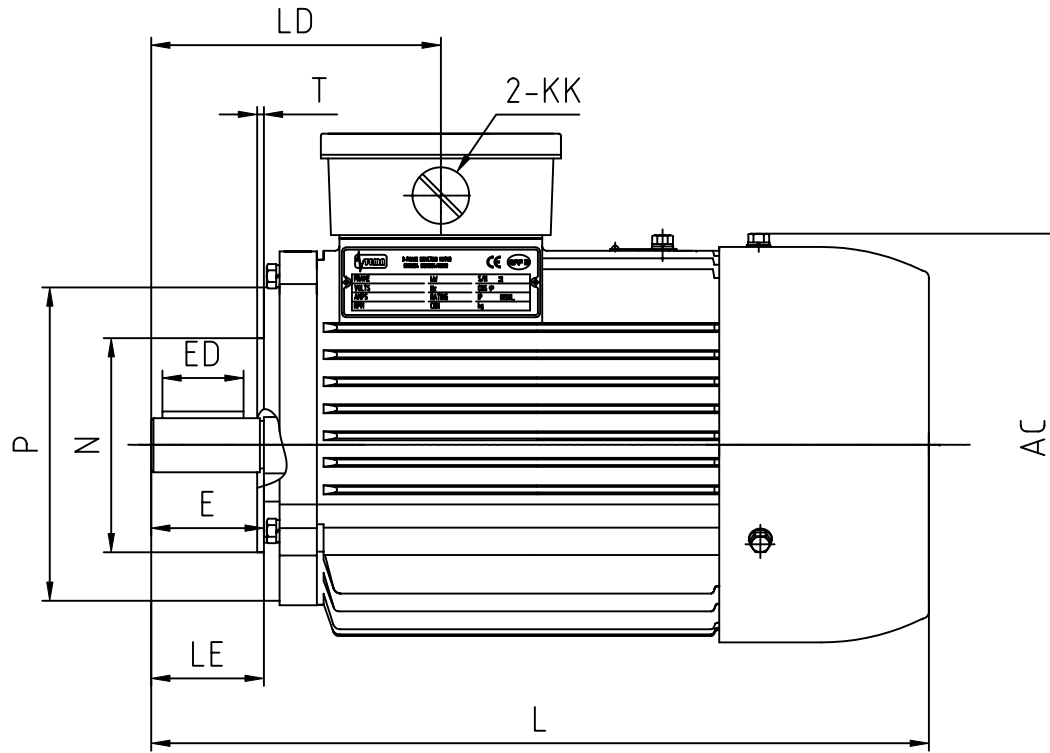
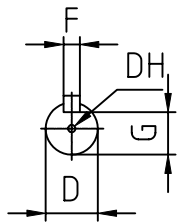
SIGNATURE

DATE

1L90 (V1)  
DIMENSION OUTLINE

1L900004

DATE	2002.01.20	CHK	Qu Hualong
DRAWN	Wang Qingdong	APPD	Zhang Wenbin
ISSUE A	DATE	CERTIFIED BY	
ISSUE B	DATE	CERTIFIED BY	
ISSUE C	DATE	CERTIFIED BY	
ISSUE D	DATE	CERTIFIED BY	



CLIENT:

FRAME	KW
VOLTS	RPM

OUTLINE DIMENSIONS FLANGE MOUNTED MOTORS

SHAFT EXT.DE ONLY

WEIGHT

AC	AD	AG'	KK	L	LD	LE	M	N	P	S	T							D	DH	E	ED	F	G
φ190	140	108.5	M25X1.5	345	131	50	φ115	φ95	φ140	4×M8	3							φ24 <sup>+0.009</sup> <sub>-0.004</sub>	M8×19	50	40	8	20 <sup>0</sup> <sub>-0.2</sub>

CUSTOMER APPROVAL

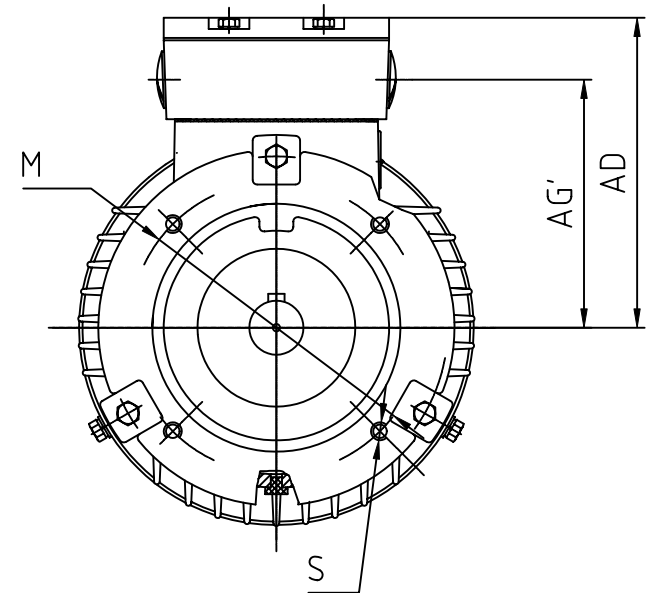
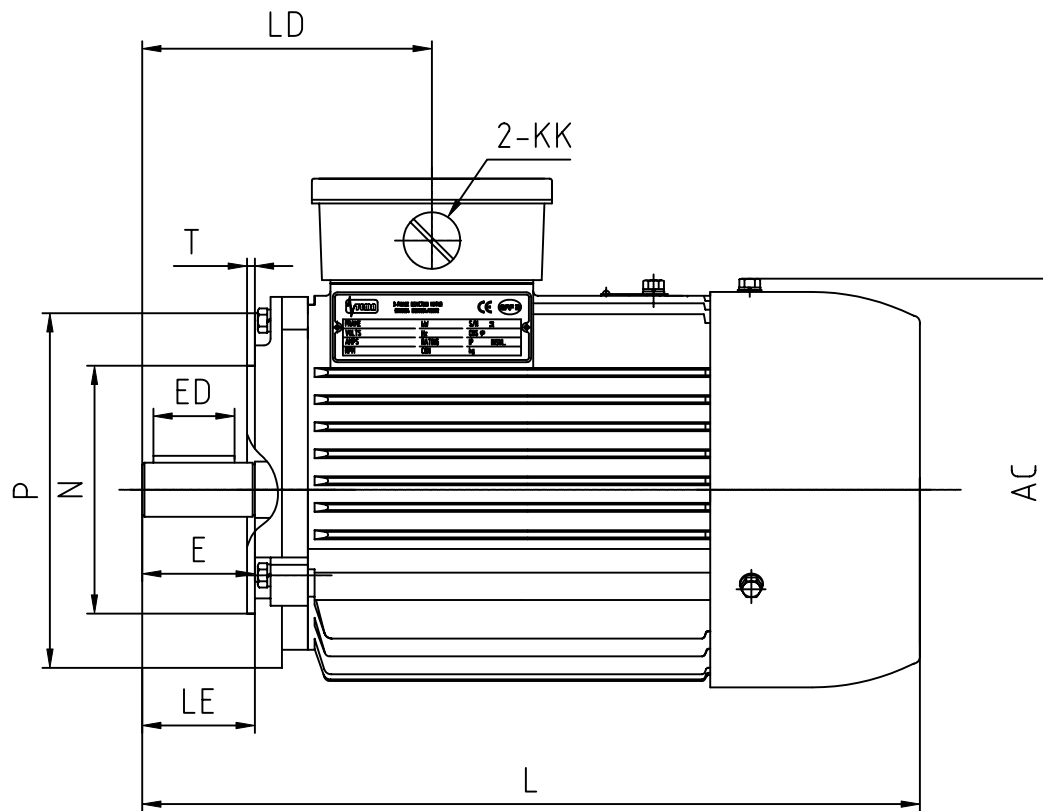
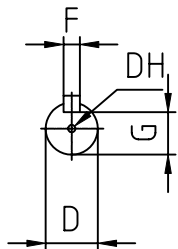
SIGNATURE

DATE

1L90 (B14A)  
DIMENSION OUTLINE

1L900005

DATE	2002.01.23	CHK	Qu Hualong
DRAWN	Wang Qingdong	APPD	Zhang Wenbin
ISSUE A	DATE	CERTIFIED BY	
ISSUE B	DATE	CERTIFIED BY	
ISSUE C	DATE	CERTIFIED BY	
ISSUE D	DATE	CERTIFIED BY	



CLIENT:

FRAME	KW
VOLTS	RPM

OUTLINE DIMENSIONS FLANGE MOUNTED MOTORS

SHAFT EXT.DE ONLY

WEIGHT

AC	AD	AG'	KK	L	LD	LE	M	N	P	S	T							D	DH	E	ED	F	G
φ190	140	108.5	M25X1.5	345	131	50	φ130	φ110	φ160	4×M8	3.5							φ24 <sup>+0.009</sup> <sub>-0.004</sub>	M8×19	50	40	8	20 <sup>0</sup> <sub>-0.2</sub>

CUSTOMER APPROVAL

SIGNATURE

DATE

1L90 (B14B)  
DIMENSION OUTLINE

1L900006

DATE	2002.01.23	CHK	Qu Hualong
DRAWN	Wang Qingdong	APPD	Zhang Wenbin
ISSUE	A	DATE	CERTIFIED BY
ISSUE	B	DATE	CERTIFIED BY
ISSUE	C	DATE	CERTIFIED BY
ISSUE	D	DATE	CERTIFIED BY