

CLIENT:

FRAME	KW
VOLTS	RPM

OUTLINE DIMENSIONS FOOT MOUNTED MOTORS

SHAFT EXT.DE ONLY

WEIGHT

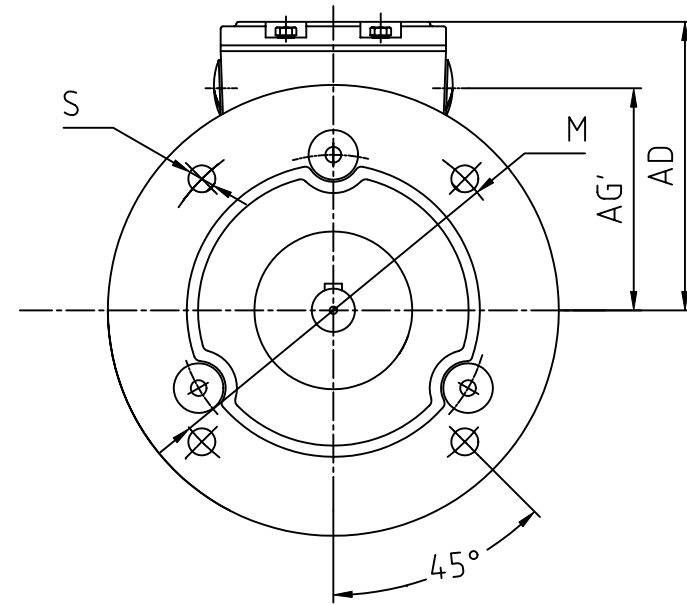
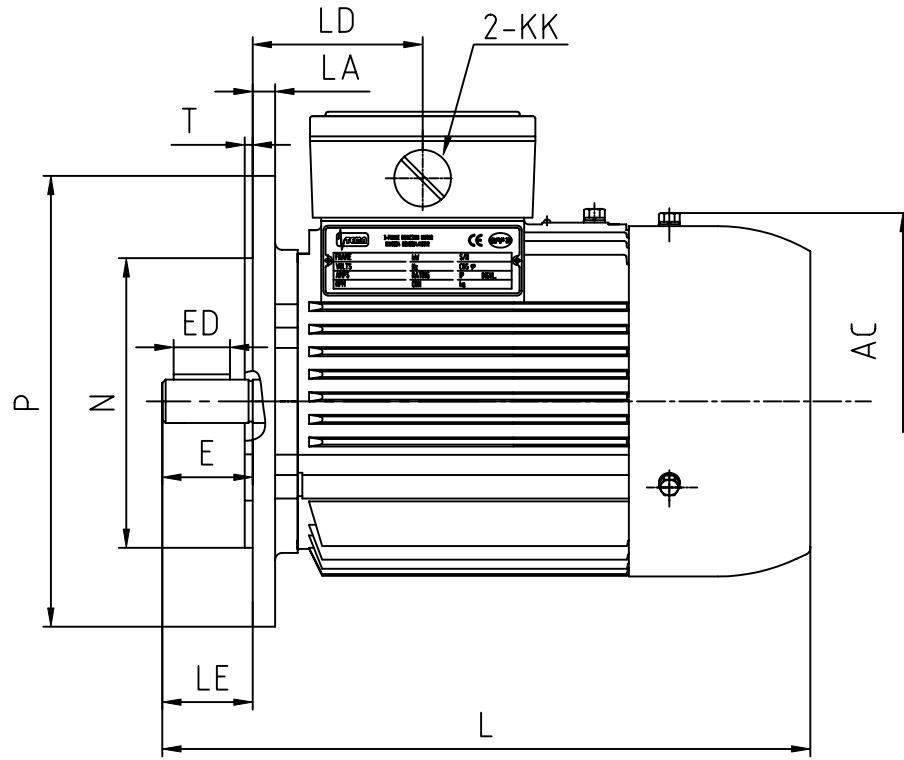
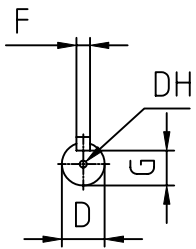
A	AA	AB	AC	B	BB	C	H	HA	HB	HD	K	KK	L	LD	D	DH	E	ED	F	G
125	34	160	φ175	100	130	50	80	10	178.5	210	φ10	M25X1.5	295	116	φ19 ^{+0.009} _{-0.004}	M6X16	40	25	6	15.5 ⁰ _{-0.1}

CUSTOMER APPROVAL _____
SIGNATURE DATE

1L80 (B3)
DIMENSION OUTLINE

1L800001

DATE	2002/01/20	CHK	Qu Hudong
DRAWN	Wang Qingdong	APPD	Zhang Wenbin
ISSUE	A	DATE	CERTIFIED BY
ISSUE	B	DATE	CERTIFIED BY
ISSUE	C	DATE	CERTIFIED BY
ISSUE	D	DATE	CERTIFIED BY



CLIENT:		
FRAME	KW	RPM
VOLTS		

OUTLINE DIMENSIONS FLANGE MOUNTED MOTORS

SHAFT EXT.DE ONLY

WEIGHT

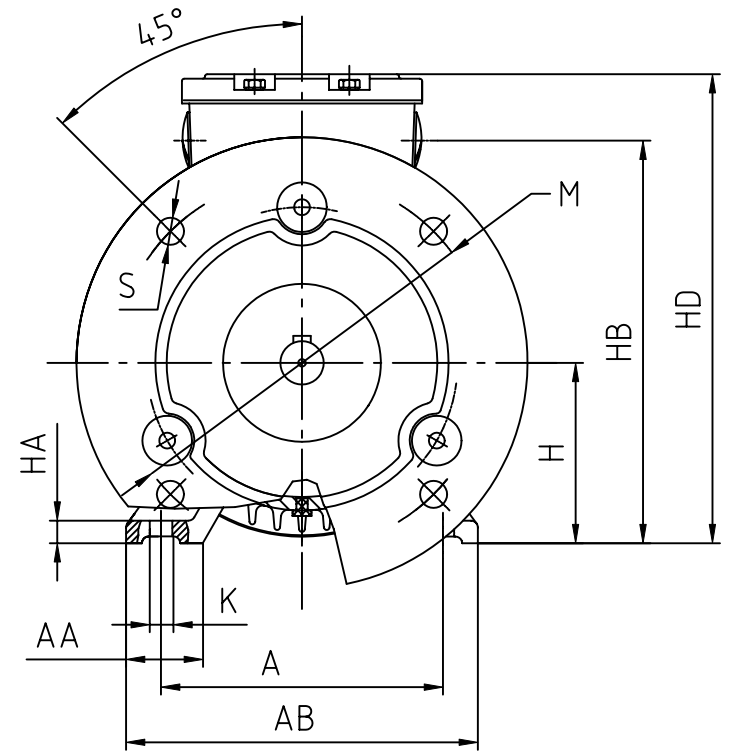
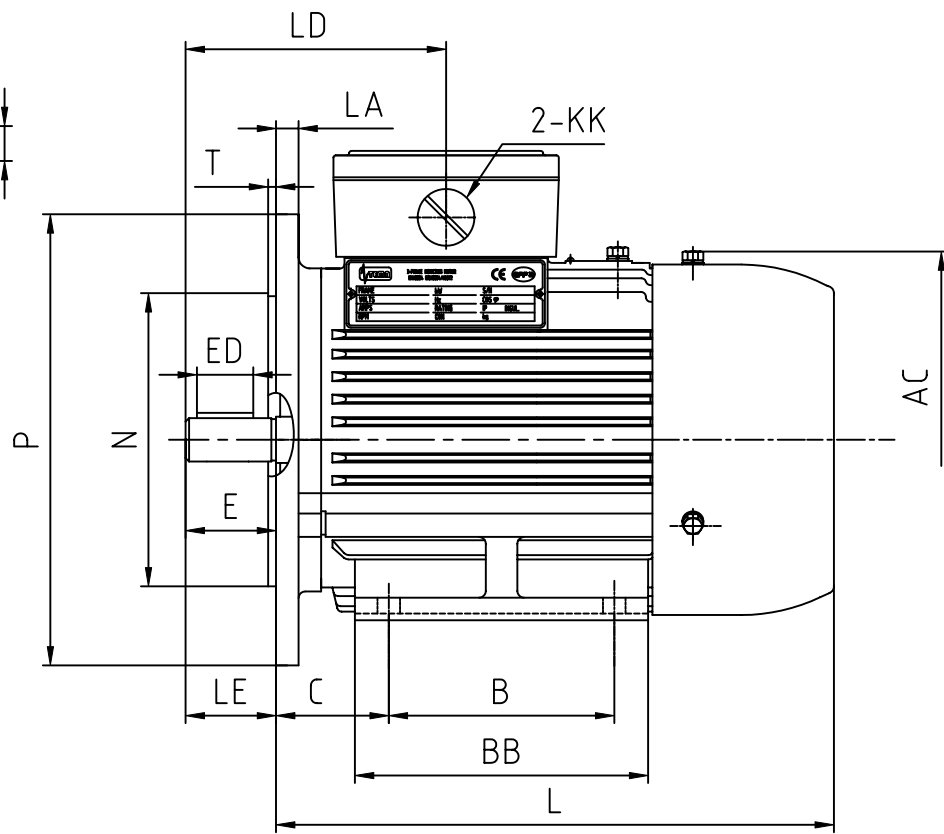
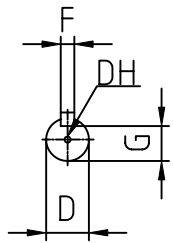
AC	AD	AG'	KK	L	LA	LD	LE	M	N	P	S	T					D	DH	E	ED	F	G
φ175	130	98.5	M25X1.5	295	10	116	40	φ165	φ130	φ200	4×φ12	3.5					φ19 ^{+0.009} _{-0.004}	M6×16	40	25	6	15.5 ⁰ _{-0.1}

CUSTOMER APPROVAL _____
 SIGNATURE DATE

1L 80 (B5)
 DIMENSION OUTLINE

1L800002

DATE	2002.01.20	CHK	Qu Huadong
DRAWN	Wang Qingdong	APPD	Zhang Wenbin
ISSUE	A	DATE	CERTIFIED BY
ISSUE	B	DATE	CERTIFIED BY
ISSUE	C	DATE	CERTIFIED BY
ISSUE	D	DATE	CERTIFIED BY



CLIENT:		
FRAME	KW	RPM
VOLTS		

OUTLINE DIMENSIONS FOOT-FLANGE MOUNTED MOTORS

SHAFT EXT.DE ONLY

WEIGHT

A	AA	AB	AC	B	BB	C	H	HA	HB	HD	K	KK	L	LA	LD	LE	M	D	DH	E	ED	F	G
125	34	160	φ175	100	130	50	80	10	178.5	210	φ10	M25X1.5	295	10	116	40	φ165	19 ^{+0.009} -0.004	M6X16	40	25	6	15.5 ⁰ -0.1

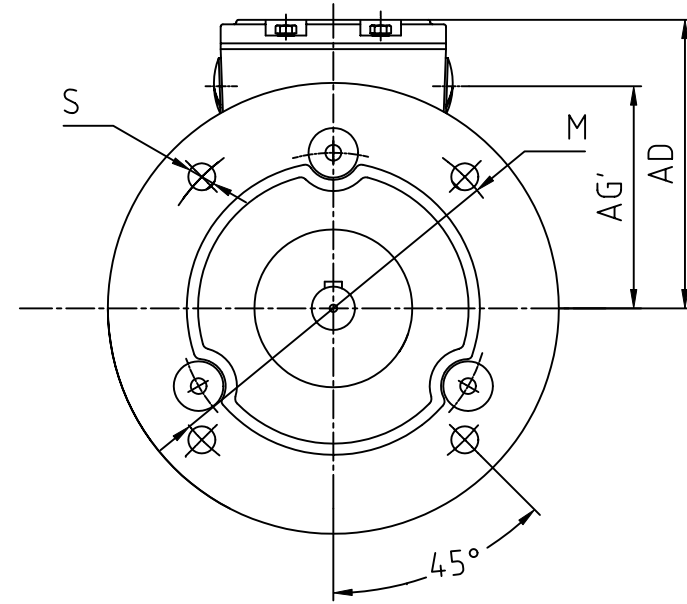
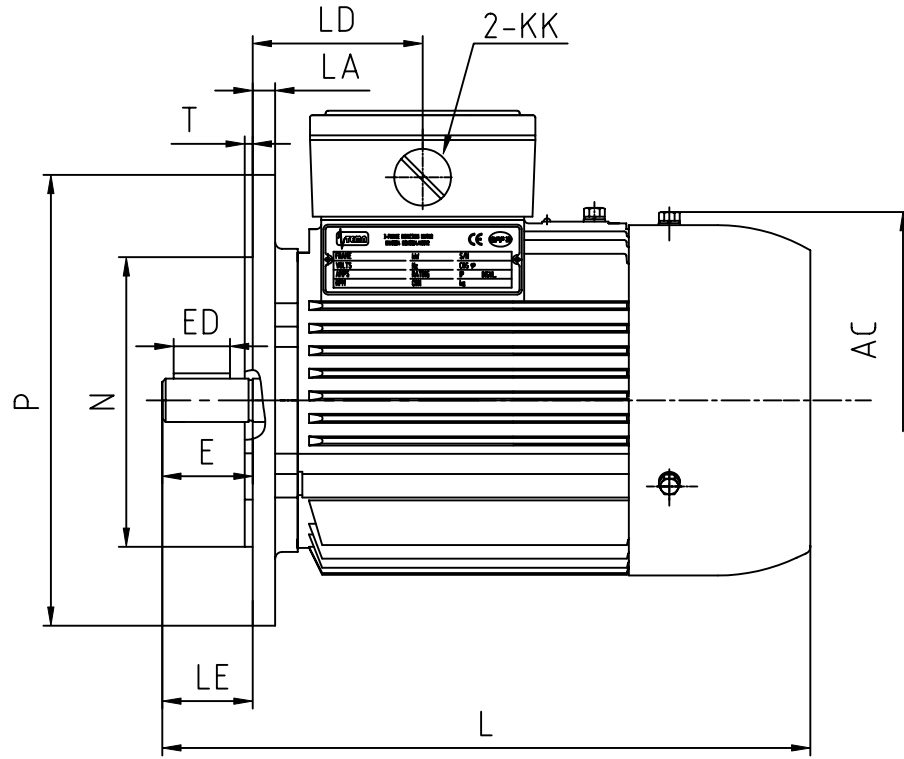
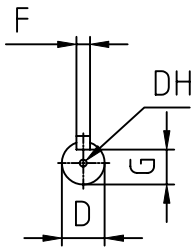
N	P	S	T
130	200	4×φ12	3.5

CUSTOMER APPROVAL _____
SIGNATURE DATE

1L80 (B35)
DIMENSION OUTLINE

1L800003

DATE	2002.01.20	CHK	Qu Huadong
DRAWN	Wang Qingdong	APPD	Zhang Wenbin
ISSUE A	DATE	CERTIFIED BY	
ISSUE B	DATE	CERTIFIED BY	
ISSUE C	DATE	CERTIFIED BY	
ISSUE D	DATE	CERTIFIED BY	



CLIENT:		
FRAME	KW	RPM
VOLTS		

OUTLINE DIMENSIONS FLANGE MOUNTED MOTORS

SHAFT EXT.DE ONLY

WEIGHT

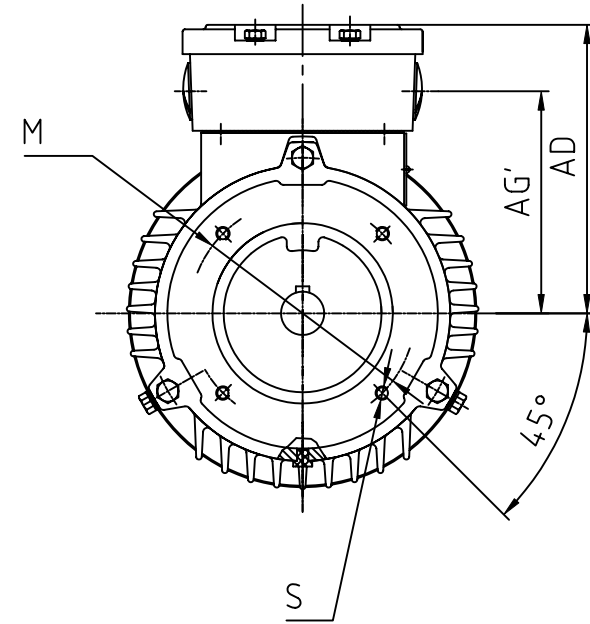
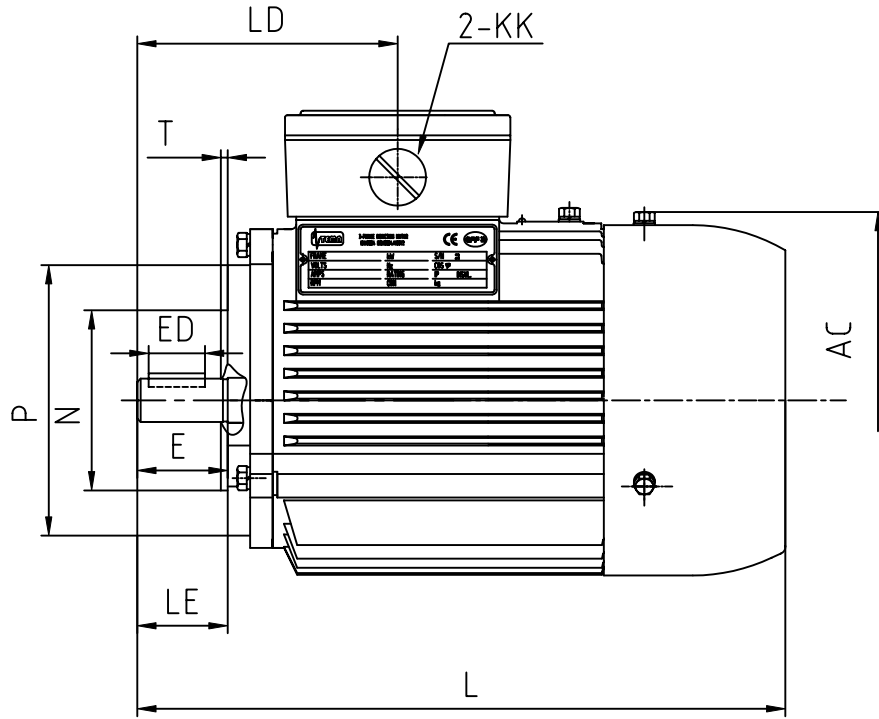
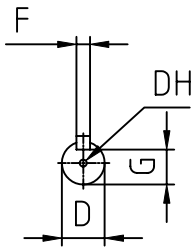
AC	AD	AG'	KK	L	LA	LD	LE	M	N	P	S	T					D	DH	E	ED	F	G
φ175	130	98.5	M25X1.5	295	10	116	40	φ165	φ130	φ200	4×φ12	3.5					φ19 ^{+0.009} _{-0.004}	M6×16	40	25	6	15.5 ⁰ _{-0.1}

CUSTOMER APPROVAL _____
 SIGNATURE DATE

1L 80 (V1)
 DIMENSION OUTLINE

1L800004

DATE	2002.01.20	CHK	Qu Huadong
DRAWN	Wang Qingdong	APPD	Zhang Wenbin
ISSUE	A	DATE	CERTIFIED BY
ISSUE	B	DATE	CERTIFIED BY
ISSUE	C	DATE	CERTIFIED BY
ISSUE	D	DATE	CERTIFIED BY



CLIENT:		
FRAME	KW	RPM
VOLTS		

OUTLINE DIMENSIONS FLANGE MOUNTED MOTORS

SHAFT EXT.DE ONLY

WEIGHT

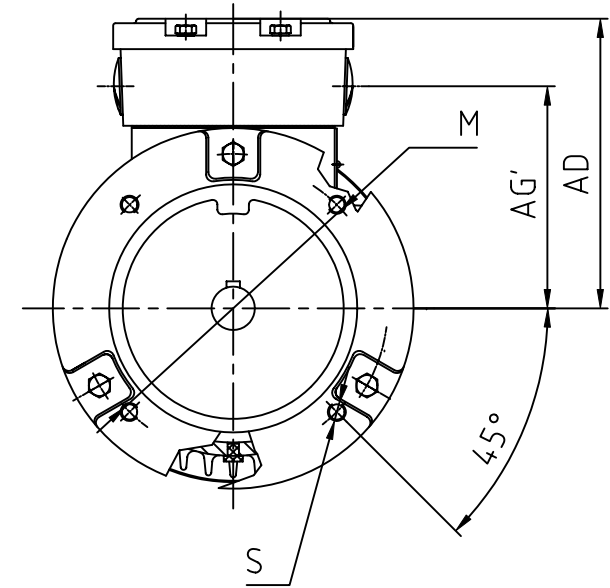
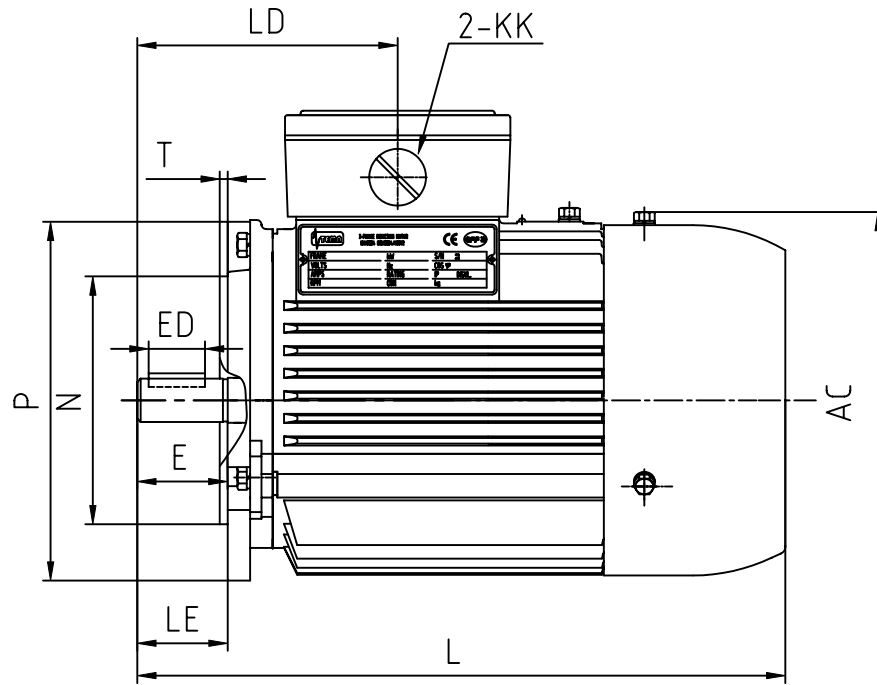
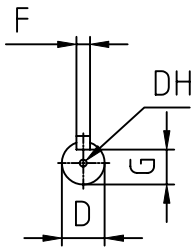
AC	AD	AG'	KK	L	LD	LE	M	N	P	S	T							D	DH	E	ED	F	G
φ175	130	98.5	M25X1.5	295	116	40	φ100	φ80	φ120	4×M6	3							φ19 ^{+0.009} _{-0.004}	M6×16	40	25	6	15.5 ⁰ _{-0.1}

CUSTOMER APPROVAL _____
 SIGNATURE DATE

1L 80 (B14A)
 DIMENSION OUTLINE

1L800005

DATE	2002.01.23	CHK	Qu Huadong
DRAWN	Wang Qingdong	APPD	Zhang Wenbin
ISSUE	A	DATE	CERTIFIED BY
ISSUE	B	DATE	CERTIFIED BY
ISSUE	C	DATE	CERTIFIED BY
ISSUE	D	DATE	CERTIFIED BY



CLIENT:		
FRAME	KW	RPM
VOLTS		

OUTLINE DIMENSIONS FLANGE MOUNTED MOTORS

SHAFT EXT.DE ONLY

WEIGHT

AC	AD	AG'	KK	L	LD	LE	M	N	P	S	T							D	DH	E	ED	F	G
φ175	130	98.5	M25X1.5	295	116	40	φ130	φ110	φ160	4×M8	3.5							φ19 ^{+0.009} _{-0.004}	M6×16	40	25	6	15.5 ⁰ _{-0.1}

CUSTOMER APPROVAL _____
 SIGNATURE DATE

1L 80 (B14B)
 DIMENSION OUTLINE

1L800006

DATE	2002.01.23	CHK	Qu Huadong
DRAWN	Wang Qingdong	APPD	Zhang Wenbin
ISSUE	A	DATE	CERTIFIED BY
ISSUE	B	DATE	CERTIFIED BY
ISSUE	C	DATE	CERTIFIED BY
ISSUE	D	DATE	CERTIFIED BY