

CLIENT:		
FRAME	KW	RPM
VOLTS		

OUTLINE DIMENSIONS FOOT MOUNTED MOTORS

SHAFT EXT.DE ONLY

WEIGHT

A	AA	AB	AC	B		BA	BA'	BB	C	H	HA	HB	HD	K	KK	D	DH	E	ED	F	G	
508	120	635	φ650	406(315S)	457(315M)	508(315L)	150	145(315S)	204(315M.L)	565(315S)	675(315M.L)	216	315	45	748	870	φ28	M63X1.5	140	110	18	58 <sup>0</sup> <sub>-0.20</sub>

L	LD	LL
1180(315S)	1290(315M.L)	376
601.5(315S)	635(315M.L)	

CUSTOMER APPROVAL \_\_\_\_\_

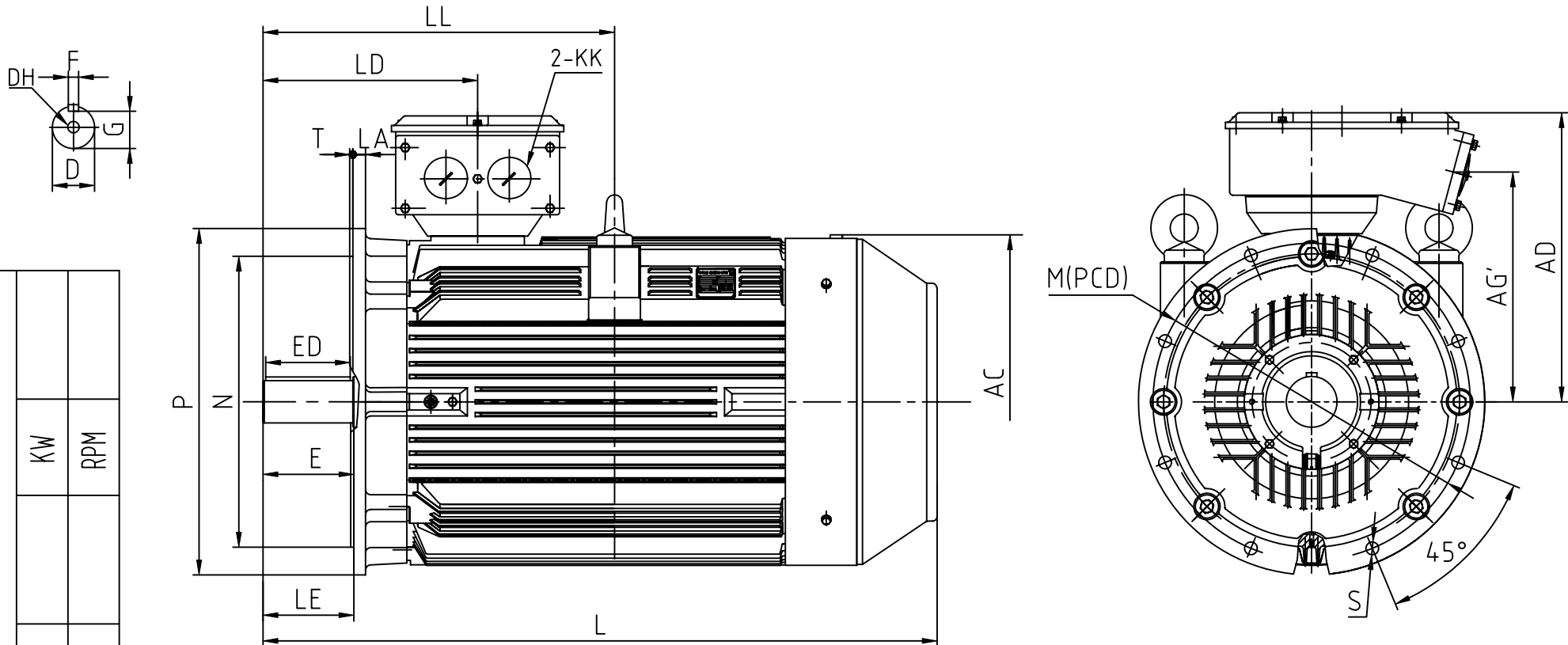
SIGNATURE

DATE

1L315 2P (B3)  
DIMENSION OUTLINE

1L315001

DATE	2002.01.20	CHK	Qu Huolong
DRAWN	Ge Rongli	APPD	Zhang Wenbin
ISSUE A	DATE	CERTIFIED BY	
ISSUE B	DATE	CERTIFIED BY	
ISSUE C	DATE	CERTIFIED BY	
ISSUE D	DATE	CERTIFIED BY	



CLIENT:

FRAME	KW
VOLTS	RPM

OUTLINE DIMENSIONS FLANGE MOUNTED MOTORS

SHAFT EXT.DE ONLY

WEIGHT

AC	AD	AG'	KK	L		LA	LD	LE	LL	M	N	P	S	T	D	DH	E	ED	F	G	
φ650	555	433	M63x1.5	1180(315S)	1290(315M.L)	24	376	140	601.5(315S)	635(315M.L)	φ600	φ550	φ660	8xφ24	6	φ65 <sup>+0.030</sup> <sub>+0.011</sub>	M20X42	140	110	18	58 <sup>0</sup> <sub>-0.2</sub>

CUSTOMER APPROVAL \_\_\_\_\_

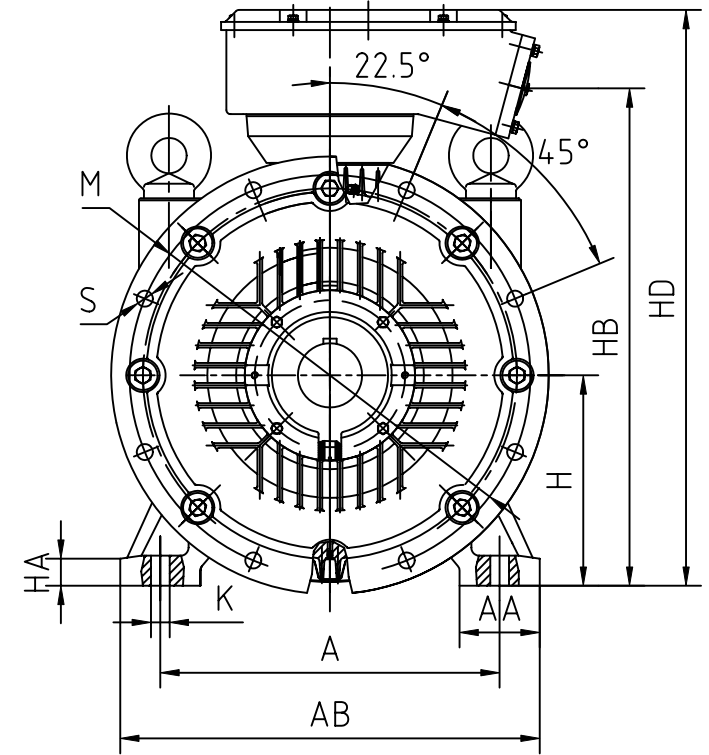
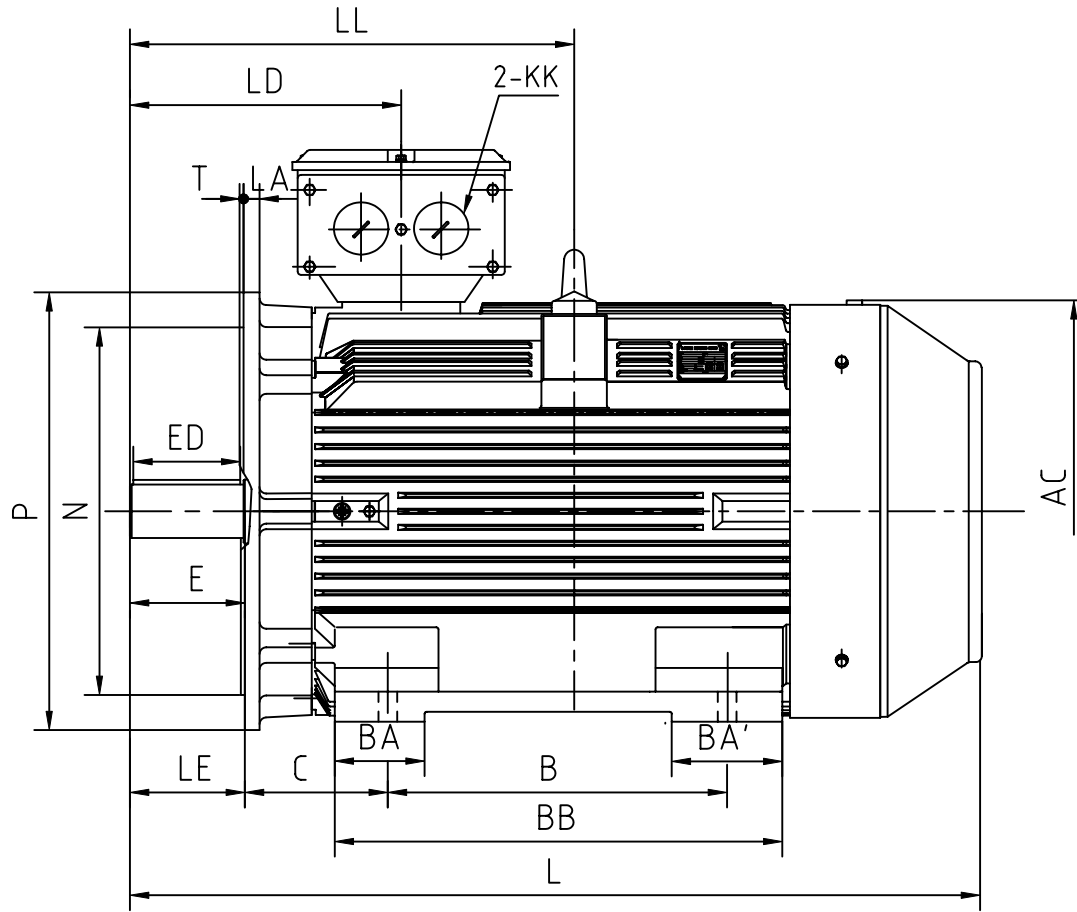
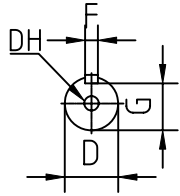
SIGNATURE

DATE

1L315 2P (B5)  
DIMENSION OUTLINE

1L315002

DATE	2002.01.20	CHK	Qu Huadong
DRAWN	Ge Rongli	APPD	Zhang Wenbin
ISSUE	A	DATE	CERTIFIED BY
ISSUE	B	DATE	CERTIFIED BY
ISSUE	C	DATE	CERTIFIED BY
ISSUE	D	DATE	CERTIFIED BY



CLIENT:

FRAME	KW
VOLTS	RPM

OUTLINE DIMENSIONS FOOT-FLANGE MOUNTED MOTORS

SHAFT EXT.DE ONLY

WEIGHT

A	AA	AB	AC	B			BA	BA'	BB	C	H	HA	HB	HD	K	KK	L	LA	LD	LE	LL	D	DH	E	ED	F	G				
508	120	635	φ650	406(315S)	457(315M)	508(315L)	150	145(315S)	204(315M.L)	565(315S)	675(315M.L)	216	315	45	74.8	870	φ28	M63X1.5	1180(315S)	1290(315M.L)	24	376	140	601.5(315S)	635(315M.L)	φ65 <sup>+0.030</sup> <sub>-0.011</sub>	M20X42	140	110	18	58 <sup>0</sup> <sub>-0.20</sub>

M	N	P	S	T
φ600	φ550	φ660	8Xφ24	6

CUSTOMER APPROVAL

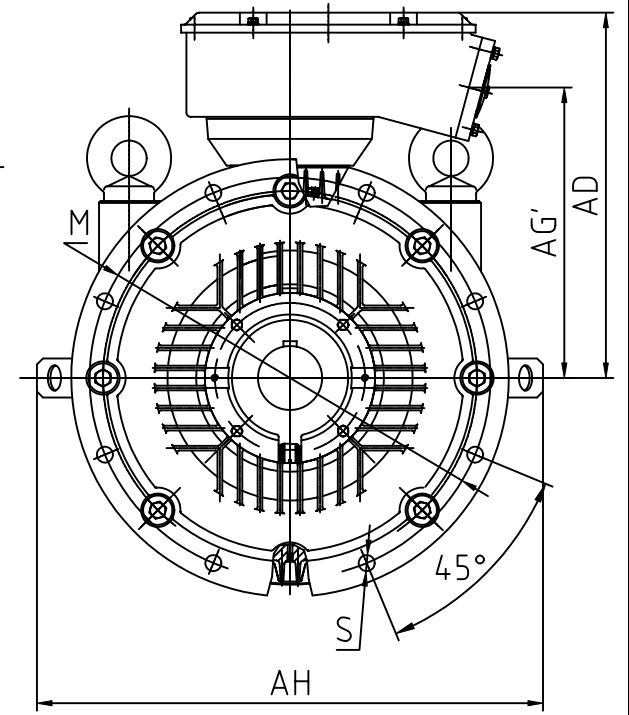
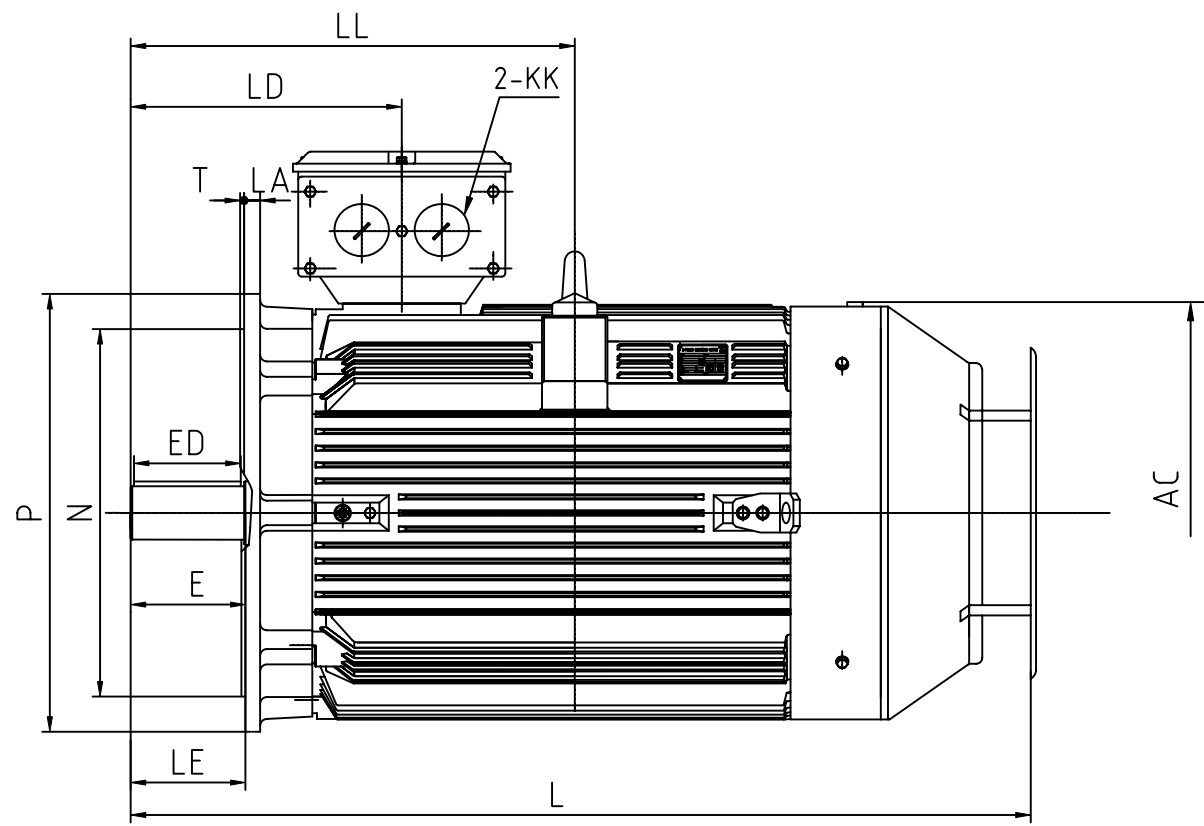
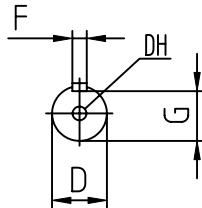
SIGNATURE

DATE

1L315 2P (B35)  
DIMENSION OUTLINE

1L315003

DATE	2002.01.20	CHK	Qu Hualong
DRAWN	Ge Rongli	APPD	Zhang Wenbin
ISSUE A	DATE	CERTIFIED BY	
ISSUE B	DATE	CERTIFIED BY	
ISSUE C	DATE	CERTIFIED BY	
ISSUE D	DATE	CERTIFIED BY	



CLIENT:		
FRAME	KW	RPM
VOLTS		

OUTLINE DIMENSIONS FLANGE MOUNTED MOTORS

SHAFT EXT.DE ONLY

WEIGHT

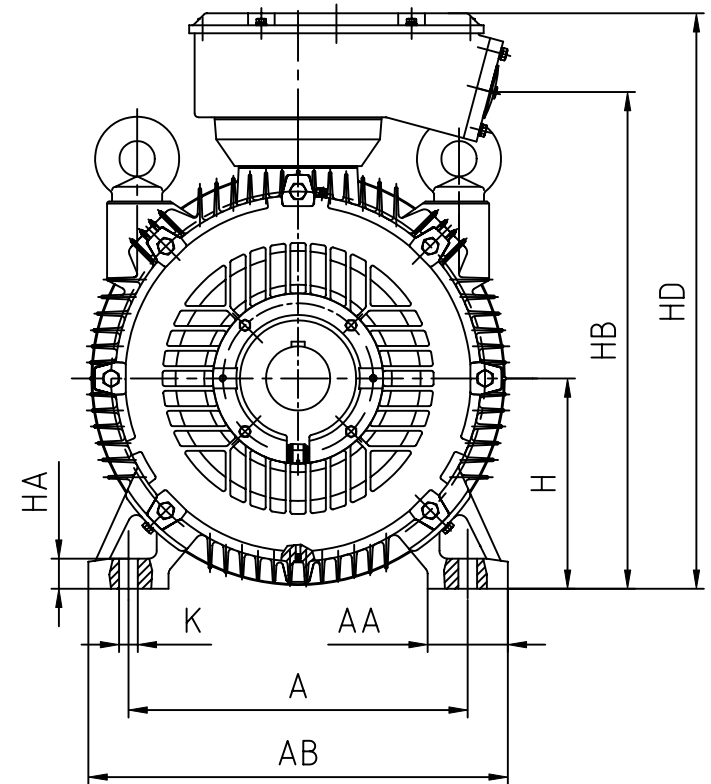
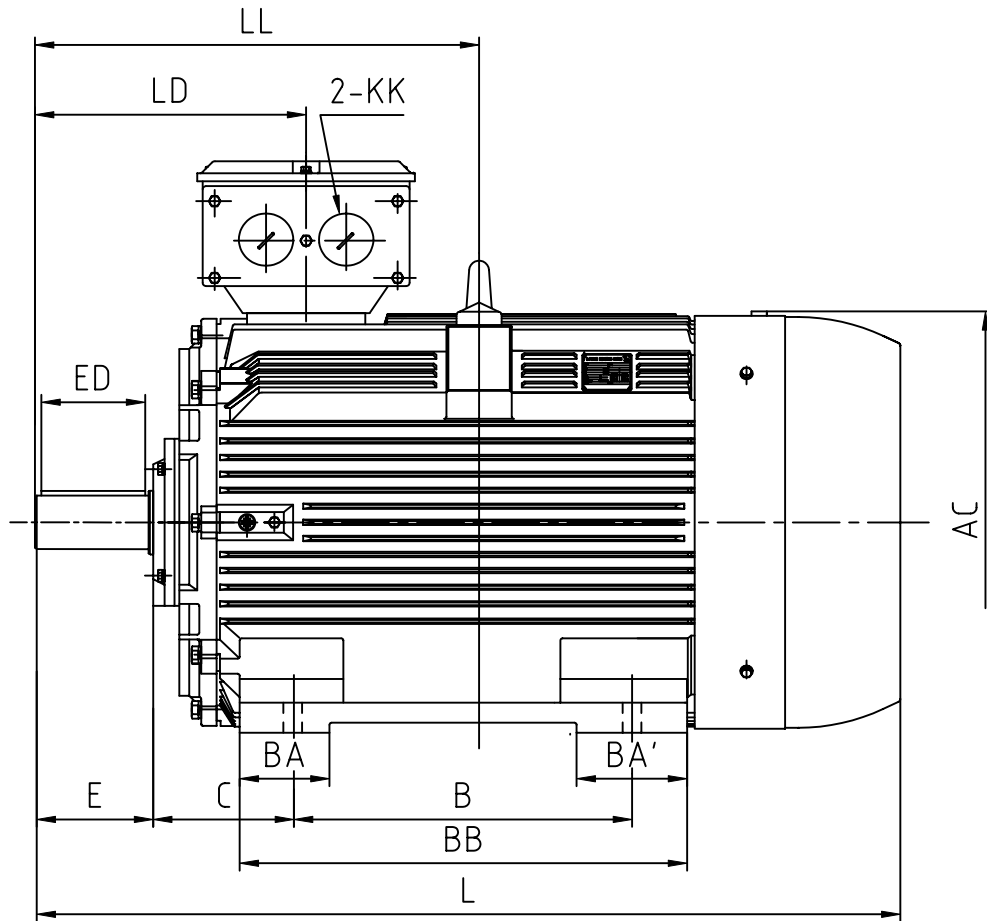
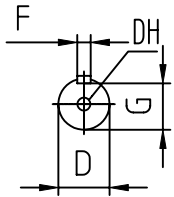
AC	AD	AH	AG'	KK	L		LA	LD	LE	LL		M	N	P	S	T	D	DH	E	ED	F	G
φ650	555	820	430	M63X1.5	1280(315S)	1390(315ML)	24	376	140	601.5(315S)	635(315ML)	φ600	φ550	φ660	8Xφ24	6	φ65	M20X42	140	110	18	58

CUSTOMER APPROVAL \_\_\_\_\_  
SIGNATURE DATE

1L315 2P (V1)  
DIMENSION OUTLINE

1L315004

DATE	2002.01.20	CHK	Qu Huolong
DRAWN	Ge Rongli	APPD	Zhang Wenbin
ISSUE	A	DATE	CERTIFIED BY
ISSUE	B	DATE	CERTIFIED BY
ISSUE	C	DATE	CERTIFIED BY
ISSUE	D	DATE	CERTIFIED BY



CLIENT:

FRAME	KW	RPM
VOLTS		

OUTLINE DIMENSIONS FOOT MOUNTED MOTORS

SHAFT EXT.DE ONLY

WEIGHT

A	AA	AB	AC	B		BA	BA'	BB		C	H	HA	HB	HD	K	KK	D	DH	E	ED	F	G	WEIGHT		
508	120	635	φ650	406(315S)	457(315M)	508(315L)	150	145(315S)	204(315M.L)	565(315S)	675(315M.L)	216	315	45	748	870	φ28	M63X1.5	φ80 <sup>+0.030</sup> <sub>+0.011</sub>	M20X4.2	170	140	22	71 <sub>0</sub> <sup>0.20</sup>	

L	LD	LL
1210(315S)	1320(315M.L)	406
631.5(315S)	665(315M.L)	

CUSTOMER APPROVAL \_\_\_\_\_

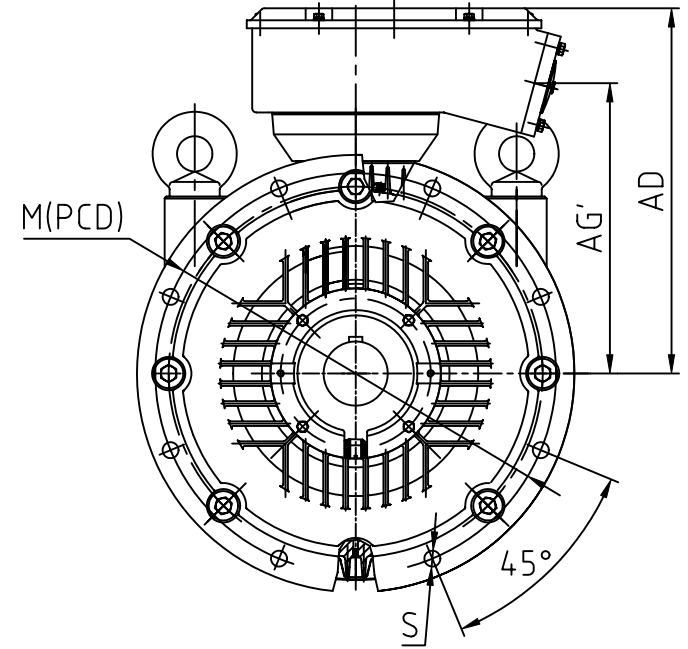
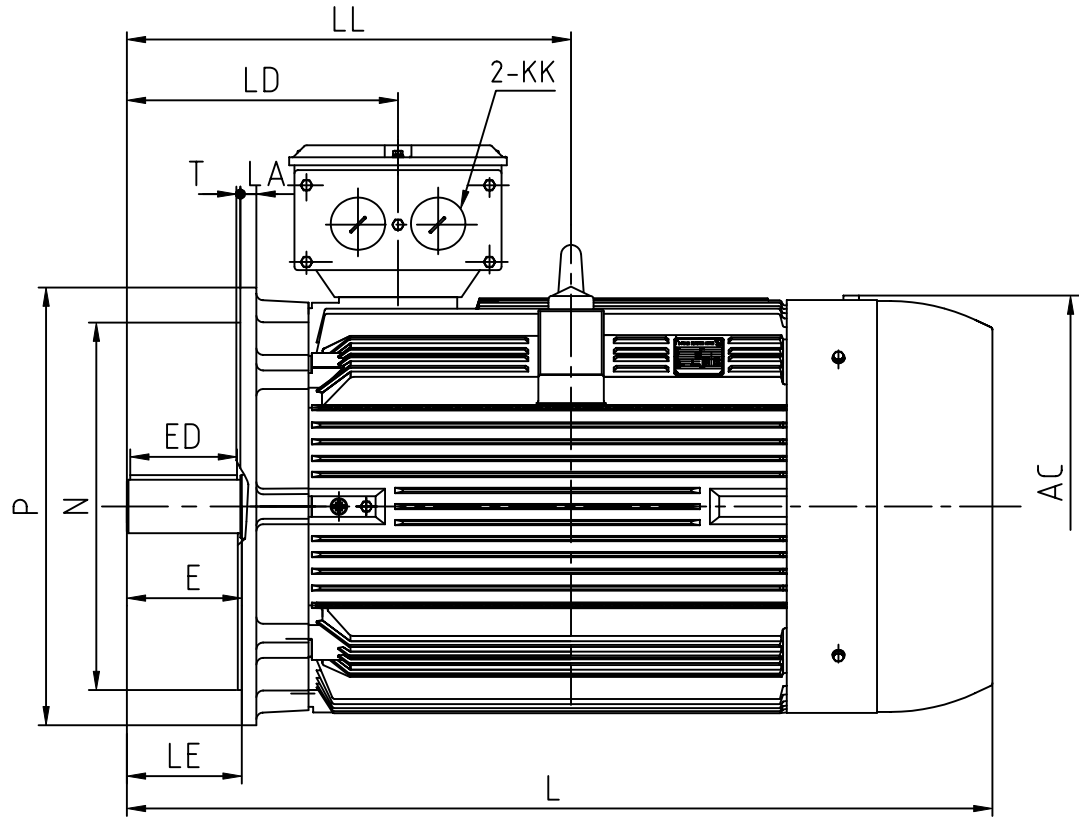
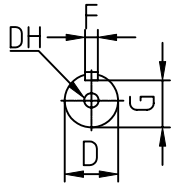
SIGNATURE

DATE

1L315 4-8P (B3)  
DIMENSION OUTLINE

1L315005

DATE	2002.01.20	CHK	Qu Hualong
DRAWN	Ge Rongli	APPD	Zhang Wenbin
ISSUE A	DATE	CERTIFIED BY	
ISSUE B	DATE	CERTIFIED BY	
ISSUE C	DATE	CERTIFIED BY	
ISSUE D	DATE	CERTIFIED BY	



CLIENT:  
 FRAME KW  
 VOLTS RPM

OUTLINE DIMENSIONS FLANGE MOUNTED MOTORS

SHAFT EXT.DE ONLY

WEIGHT

AC	AD	AG'	KK	L		LA	LD	LE	LL		M	N	P	S	T	D	DH	E	ED	F	G
φ650	555	433	M63x1.5	1210(315S)	1320(315M.L)	24	406	170	631.5(315S)	665(315M.L)	φ600	φ550	φ660	8x24	6	φ80 <sup>+0.030</sup> <sub>+0.011</sub>	M20x4.2	170	140	22	71 <sup>0</sup> <sub>-0.2</sub>

CUSTOMER APPROVAL \_\_\_\_\_

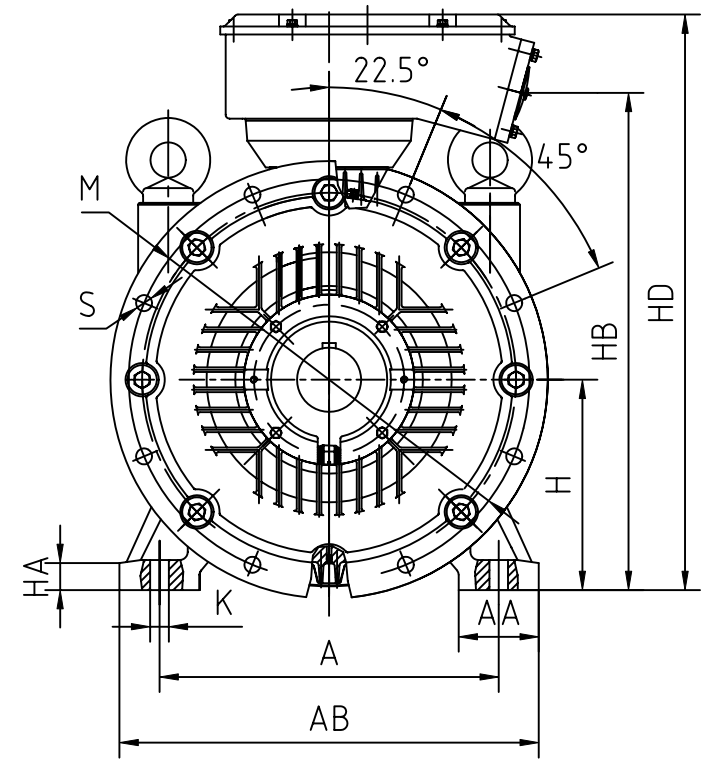
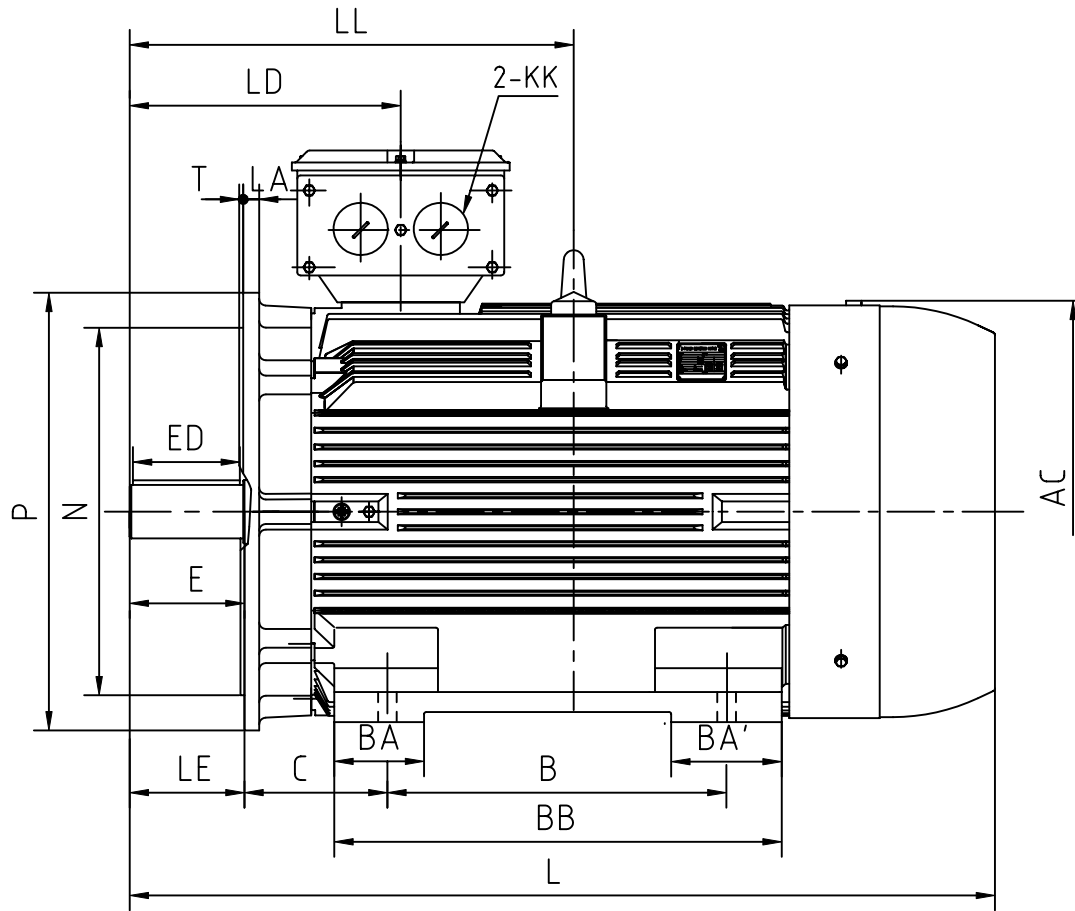
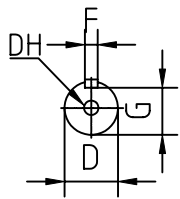
SIGNATURE

DATE

1L315 4-8P (B5)  
 DIMENSION OUTLINE

1L315006

DATE	2002.01.20	CHK	Qu Huolong
DRAWN	Ge Rongli	APPD	Zhang Wenbin
ISSUE	A	DATE	CERTIFIED BY
ISSUE	B	DATE	CERTIFIED BY
ISSUE	C	DATE	CERTIFIED BY
ISSUE	D	DATE	CERTIFIED BY



CLIENT:

FRAME	KW
VOLTS	RPM

OUTLINE DIMENSIONS FOOT-FLANGE MOUNTED MOTORS

SHAFT EXT.DE ONLY

WEIGHT

A	AA	AB	AC	B			BA	BA'	BB	C	H	HA	HB	HD	K	KK	L	LA	LD	LE	LL	D	DH	E	ED	F	G				
508	120	635	φ650	406(315S)	457(315M)	508(315L)	150	145(315S)	204(315M.L)	565(315S)	675(315M.L)	216	315	45	748	870	φ28	M63X1.5	1210(315S)	1320(315M.L)	24	406	170	631.5(315S)	665(315M.L)	φ80 <sup>+0.030</sup> <sub>-0.011</sub>	M20X42	170	140	22	71 <sup>0</sup> <sub>-0.20</sub>

M	N	P	S	T
φ600	φ550	φ660	8Xφ24	6

CUSTOMER APPROVAL

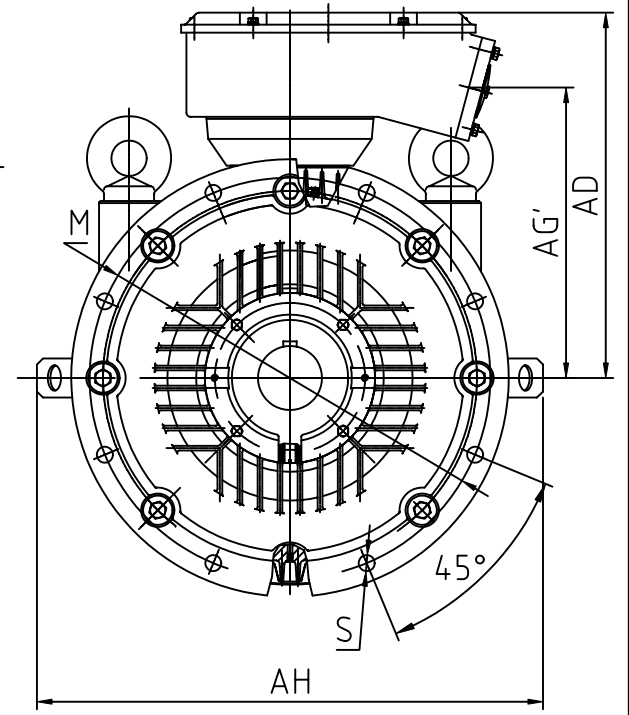
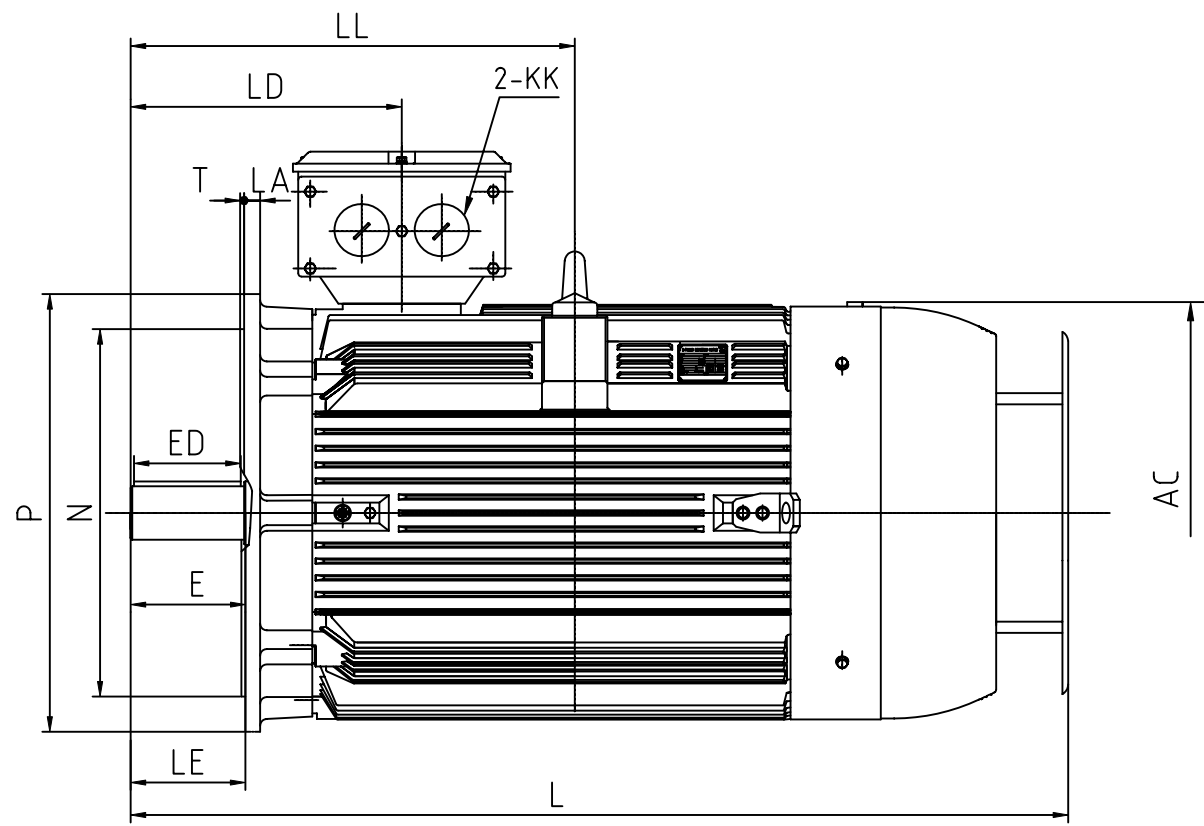
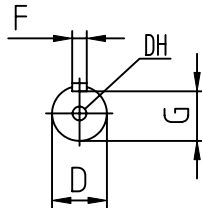
SIGNATURE

DATE

1L315 4-8P (B35)  
DIMENSION OUTLINE

1L315007

DATE	2002.01.20	CHK	Qu Huolong
DRAWN	Ge Rongli	APPD	Zhang Wenbin
ISSUE A	DATE	CERTIFIED BY	
ISSUE B	DATE	CERTIFIED BY	
ISSUE C	DATE	CERTIFIED BY	
ISSUE D	DATE	CERTIFIED BY	



CLIENT:		
FRAME	KW	RPM
VOLTS		

OUTLINE DIMENSIONS FLANGE MOUNTED MOTORS

SHAFT EXT.DE ONLY

WEIGHT

AC	AD	AH	AG'	KK	L		LA	LD	LE	LL		M	N	P	S	T	D	DH	E	ED	F	G
φ650	555	820	430	M63X1.5	1310(315S)	1420(315ML)	24	406	170	631.5(315S)	665(315ML)	φ600	φ550	φ660	8Xφ24	6	φ80	M20X42	170	140	22	71

CUSTOMER APPROVAL \_\_\_\_\_  
SIGNATURE DATE

1L315 4-10P (V1)  
DIMENSION OUTLINE

1L315008

DATE	2002.01.20	CHK	Qu Huolong
DRAWN	Ge Rongli	APPD	Zhang Wenbin
ISSUE	A	DATE	CERTIFIED BY
ISSUE	B	DATE	CERTIFIED BY
ISSUE	C	DATE	CERTIFIED BY
ISSUE	D	DATE	CERTIFIED BY