

CLIENT:		
FRAME	KW	RPM
VOLTS		

OUTLINE DIMENSIONS FOOT MOUNTED MOTORS

SHAFT EXT.DE ONLY

WEIGHT

A	AA	AB	AC	B		BA	BA'	BB		C	H	HA	HB	HD	K	KK	L	LD	LL	D	DH	E	ED	F	G
457	109	550	φ570	368(280S)	419(280M)	117	117	485(280S)	535(280M)	190	280	35	602	685	φ24	M63 X 1.5	1010	365	514	φ65 <sup>+0.030</sup> φ65 <sup>+0.011</sup>	M20X42	140	110	18	58 <sup>0</sup> -0.2

CUSTOMER APPROVAL \_\_\_\_\_

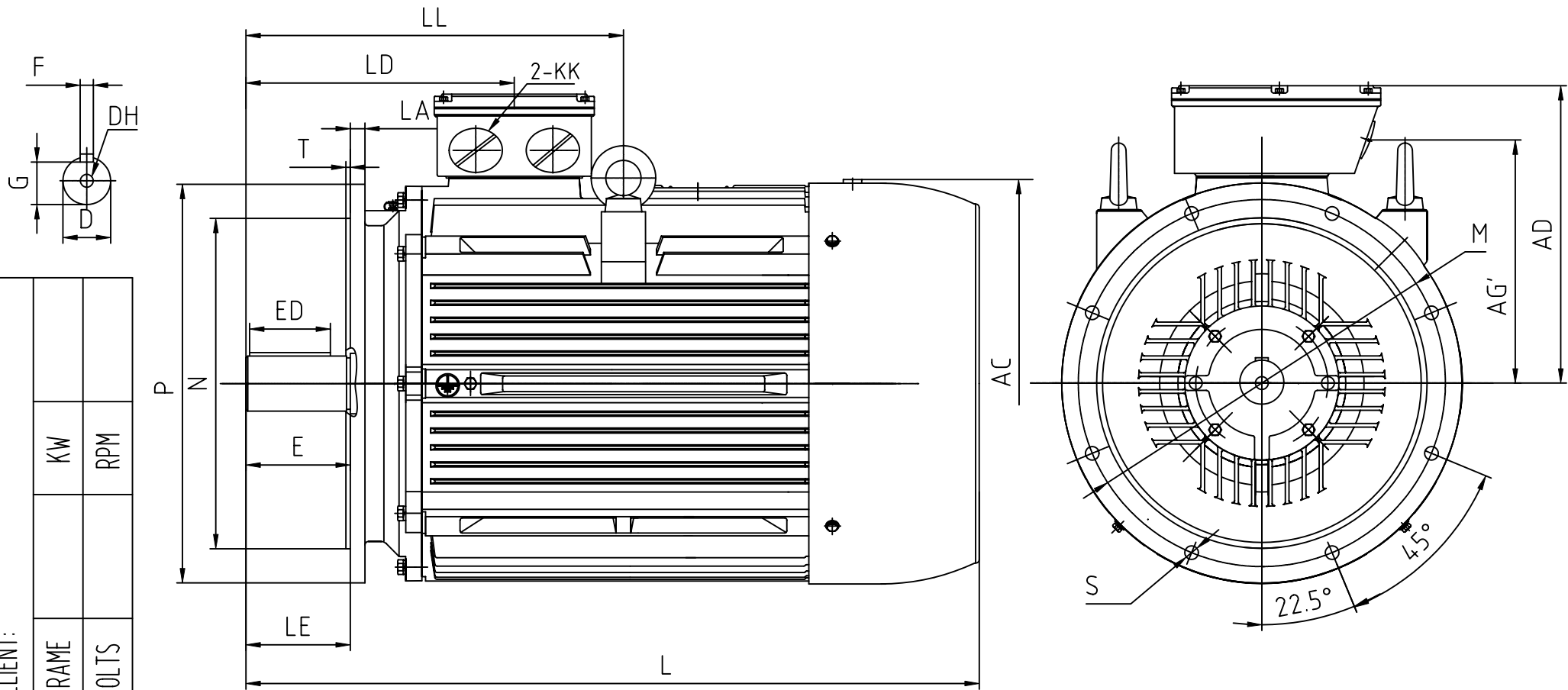
SIGNATURE

DATE

1L280 2P(B3)  
DIMENSION OUTLINE

1L280001

DATE	2002.01.20	CHK	Qu Huolong
DRAWN	Wang Long	APPD	Zhang Wenbin
ISSUE	A	DATE	CERTIFIED BY
ISSUE	B	DATE	CERTIFIED BY
ISSUE	C	DATE	CERTIFIED BY
ISSUE	D	DATE	CERTIFIED BY



CLIENT:		
FRAME	KW	RPM
VOLTS		

OUTLINE DIMENSIONS FOOT MOUNTED MOTORS

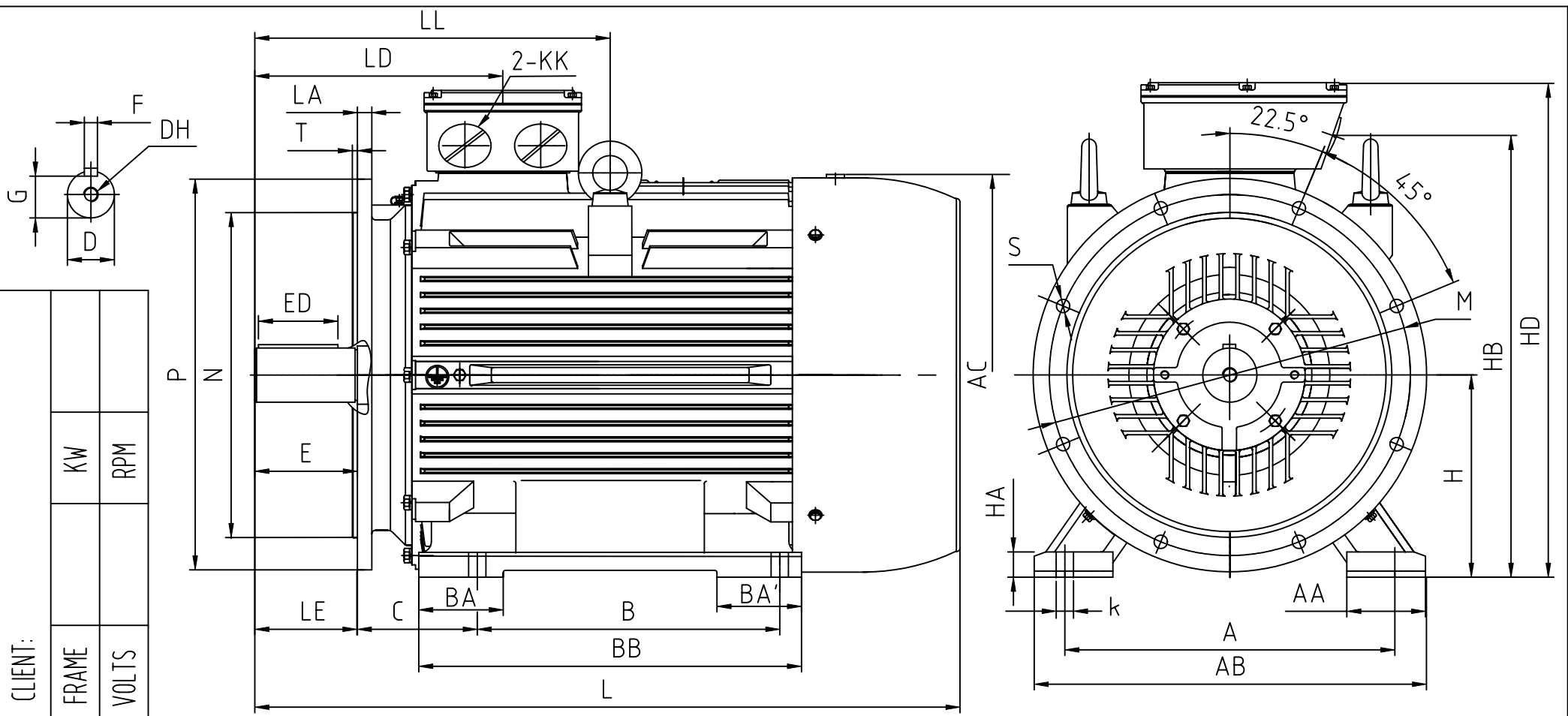
SHAFT EXT.DE ONLY

WEIGHT

AC	AD	AG'	KK	L	LA	LD	LE	LL	M	N	P	S	T					D	DH	E	ED	F	G	
φ570	405	322	M63 X 1.5	1010	22	365	140	514	φ500	φ450	φ550	8×φ18.5	5					φ65 <sup>+0.030</sup> φ65 <sup>+0.011</sup>	M20×42	140	110	18	58 <sup>0</sup> <sub>-0.2</sub>	

CUSTOMER APPROVAL \_\_\_\_\_  
SIGNATURE DATE

1L280-2PB5 DIMENSION OUTLINE	DATE	2002.01.20	CHK	Qu Huolong
	DRAWN	Wang Long	APPD	Zhang Wenbin
1L280002	ISSUE A	DATE	CERTIFIED BY	
	ISSUE B	DATE	CERTIFIED BY	
	ISSUE C	DATE	CERTIFIED BY	
	ISSUE D	DATE	CERTIFIED BY	



CLIENT:		
FRAME	KW	RPM
VOLTS		

OUTLINE DIMENSIONS FOOT MOUNTED MOTORS

SHAFT EXT.DE ONLY

WEIGHT

A	AA	AB	AC	B	BA	BA'	BB	C	H	HA	HB	HD	K	KK	L	LA	LD	D	DH	E	ED	F	G
457	109	550	φ570	368(280S) 419(280M)	117	117	485(280S) 535(280M)	190	250	35	602	685	φ24	M63 X 1.5	1010	22	365	φ65 <sup>+0.030</sup> <sub>+0.011</sub>	M20X42	140	110	18	58 <sup>0</sup> <sub>-0.2</sub>

LE	LL	M	N	P	S	T
140	514	φ500	φ450	φ550	8Xφ18.5	5

CUSTOMER APPROVAL

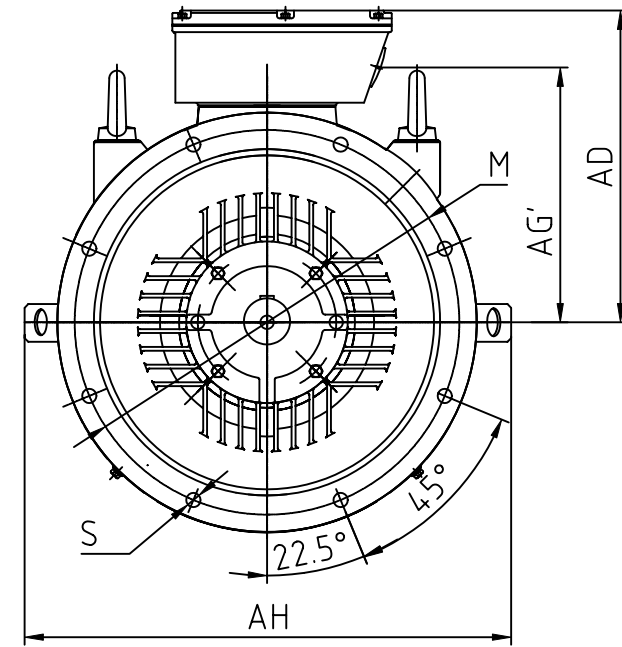
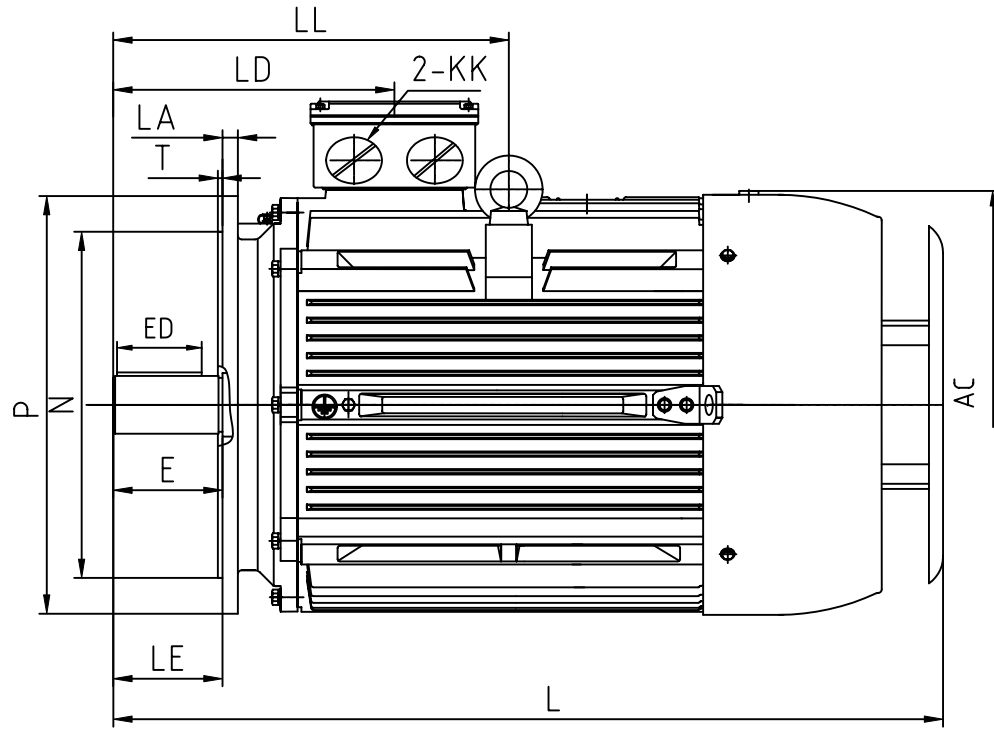
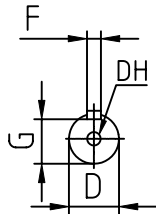
\_\_\_\_\_  
SIGNATURE

\_\_\_\_\_  
DATE

1L280-2P (B35)  
DIMENSION OUTLINE

1L280003

DATE	2002.01.20	CHK	Qu Hualong
DRAWN	Wang Long	APPD	Zhang Wenbin
ISSUE A	DATE	CERTIFIED BY	
ISSUE B	DATE	CERTIFIED BY	
ISSUE C	DATE	CERTIFIED BY	
ISSUE D	DATE	CERTIFIED BY	



CLIENT:  
 FRAME KW  
 VOLTS RPM

OUTLINE DIMENSIONS FOOT MOUNTED MOTORS

SHAFT EXT.DE ONLY

WEIGHT

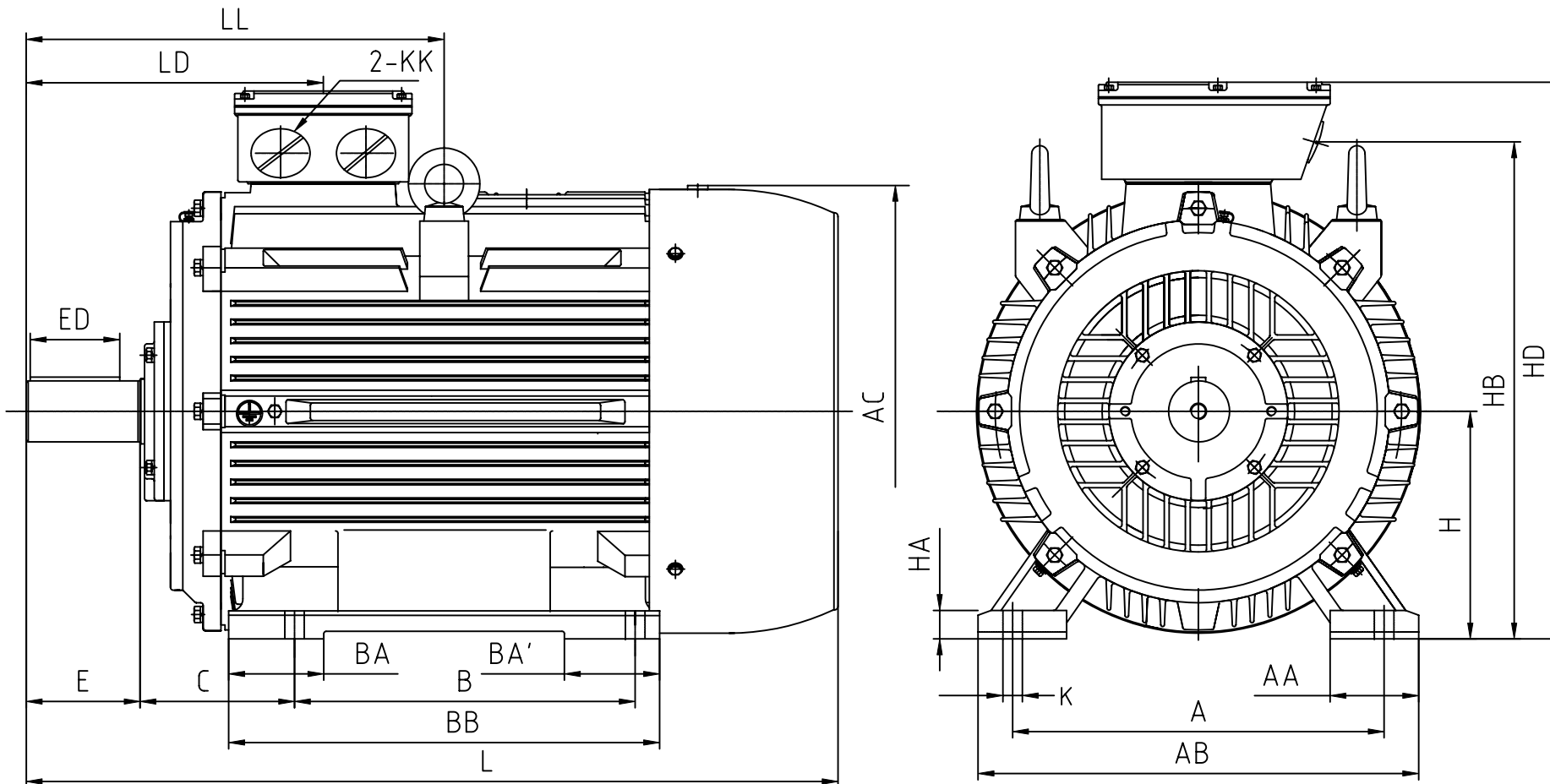
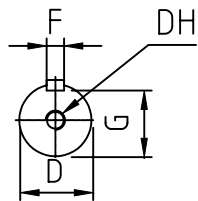
AC	AD	AG'	AH	KK	L	LA	LD	LE	LL	M	N	P	S	T				D	DH	E	ED	F	G	
φ570	405	322	718	M63 X 1.5	1089	22	365	140	514	φ500	φ450	φ550	8×φ18.5	5				φ65 <sup>+0.030</sup> φ65 <sup>+0.011</sup>	M20×42	140	110	18	58 <sup>0</sup> <sub>-0.2</sub>	

CUSTOMER APPROVAL \_\_\_\_\_  
 SIGNATURE DATE

1L280-2 P(V1)  
 DIMENSION OUTLINE

1L280004

DATE	2002.01.20	CHK	Qu Huolong
DRAWN	Wang Long	APPD	Zhang Wenbin
ISSUE	A	DATE	CERTIFIED BY
ISSUE	B	DATE	CERTIFIED BY
ISSUE	C	DATE	CERTIFIED BY
ISSUE	D	DATE	CERTIFIED BY



CLIENT:

FRAME	KW
VOLTS	RPM

OUTLINE DIMENSIONS FOOT MOUNTED MOTORS

SHAFT EXT.DE ONLY

WEIGHT

A	AA	AB	AC	B		BA	BA'	BB	C	H	HA	HB	HD	K	KK	L	LD	LL	D	DH	E	ED	F	G	
457	109	550	φ570	368(280S)	419(280M)	117	117	485(280S)	535(280M)	190	280	35	602	685	φ24	M63 X 1.5	1010	365	514	φ75 <sup>+0.030</sup> <sub>+0.011</sub>	M20X42	140	110	20	67.5 <sup>0</sup> <sub>-0.2</sub>

CUSTOMER APPROVAL \_\_\_\_\_

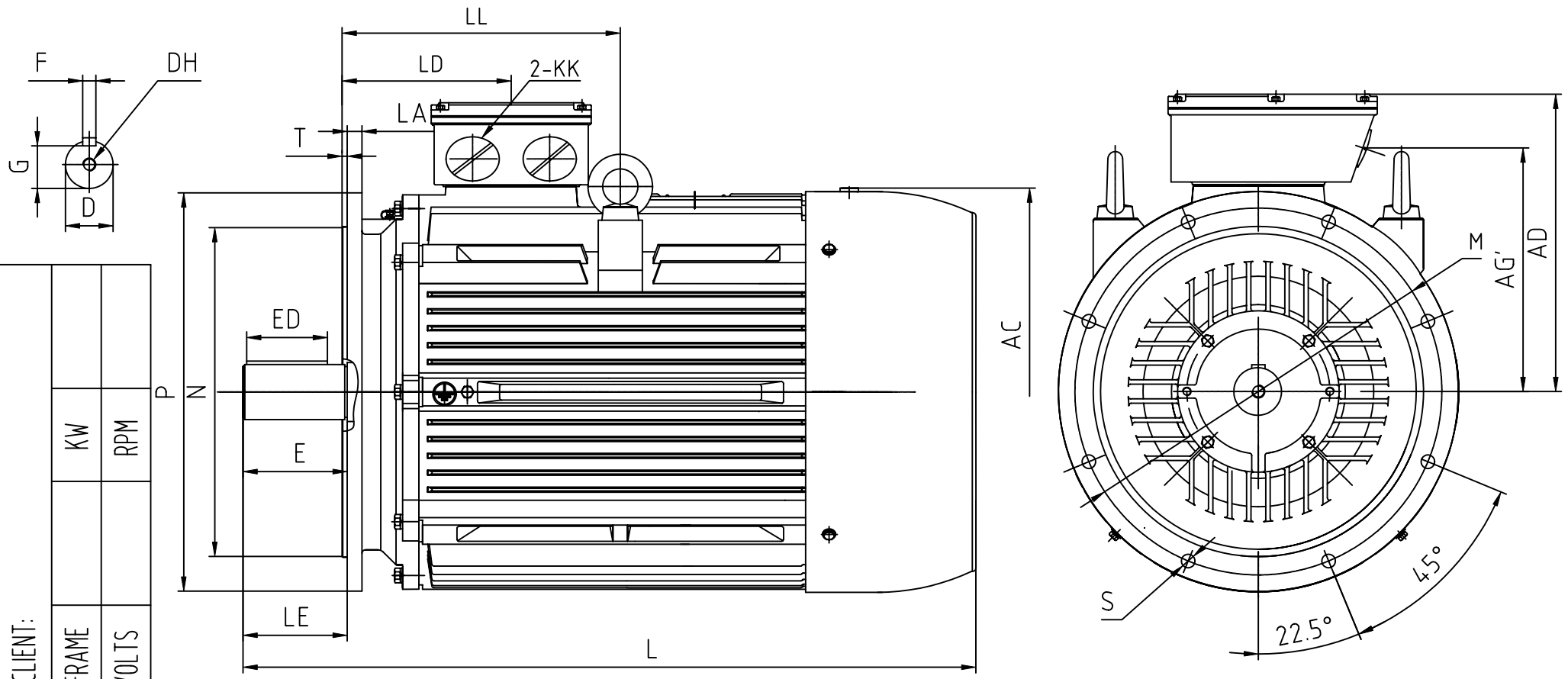
SIGNATURE

DATE

1L280 4.6.8P (B3)  
DIMENSION OUTLINE

1L280005

DATE	2002.01.20	CHK	QuHualong
DRAWN	Wang Long	APPD	Zhang Wenbin
ISSUE	A	DATE	CERTIFIED BY
ISSUE	B	DATE	CERTIFIED BY
ISSUE	C	DATE	CERTIFIED BY
ISSUE	D	DATE	CERTIFIED BY



CLIENT:		
FRAME	KW	RPM
VOLTS		

OUTLINE DIMENSIONS FOOT MOUNTED MOTORS

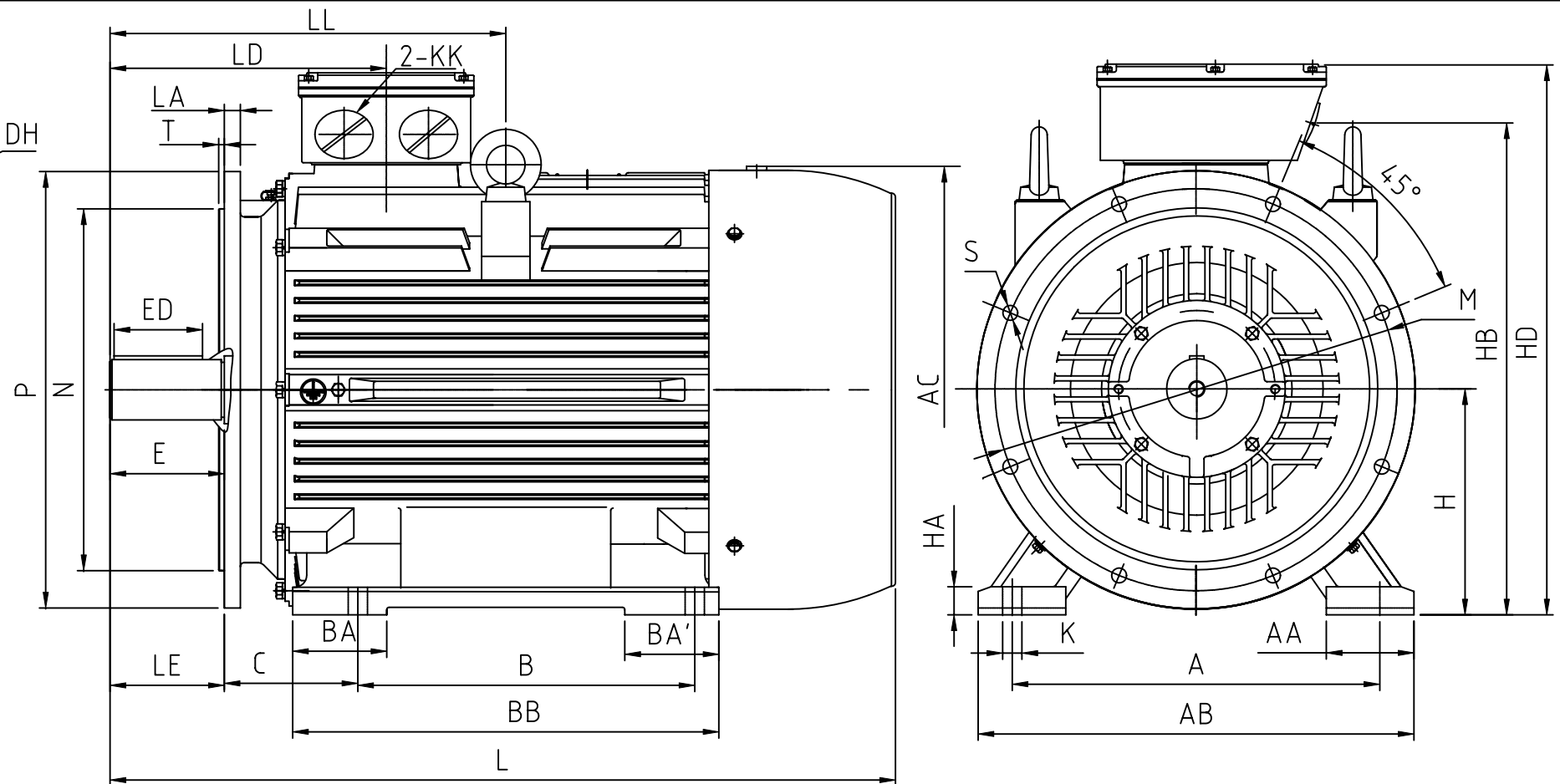
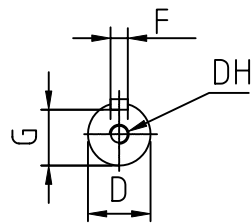
SHAFT EXT.DE ONLY

WEIGHT

AC	AD	AG'	KK	L	LA	LD	LE	LL	M	N	P	S	T					D	DH	E	ED	F	G
φ570	405	322	M63 X 1.5	1010	22	365	140	514	φ500	φ450	φ550	8×φ18.5	5					φ75 <sup>+0.030</sup> <sub>+0.011</sub>	M20×42	140	110	20	67.5 <sup>0</sup> <sub>-0.2</sub>

CUSTOMER APPROVAL \_\_\_\_\_  
SIGNATURE \_\_\_\_\_ DATE \_\_\_\_\_

1L280-4.6.8(B5) DIMENSION OUTLINE	DATE	2002.01.20	CHK	Qu Huolong
	DRAWN	Wang Long	APPD	Zhang Wenbin
1L280006	ISSUE	A	DATE	CERTIFIED BY
	ISSUE	B	DATE	CERTIFIED BY
	ISSUE	C	DATE	CERTIFIED BY
	ISSUE	D	DATE	CERTIFIED BY



CLIENT:  
 FRAME KW  
 VOLTS RPM

OUTLINE DIMENSIONS FOOT MOUNTED MOTORS

SHAFT EXT.DE ONLY

WEIGHT

A	AA	AB	AC	B	BA	BA'	BB	C	H	HA	HB	HD	K	KK	L	LA	LD	D	DH	E	ED	F	G
457	109	550	φ570	368(280S) 419(280M)	117	117	485(280S) 535(280M)	190	250	35	602	685	φ24	M63 X 1.5	1010	22	365	φ75 <sup>+0.030</sup> +0.011	M20X42	140	110	20	67.5 <sup>0</sup> -0.2

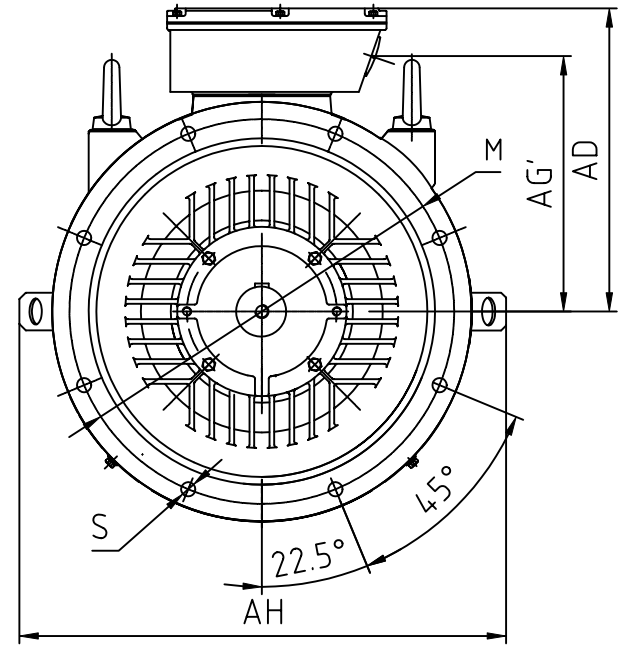
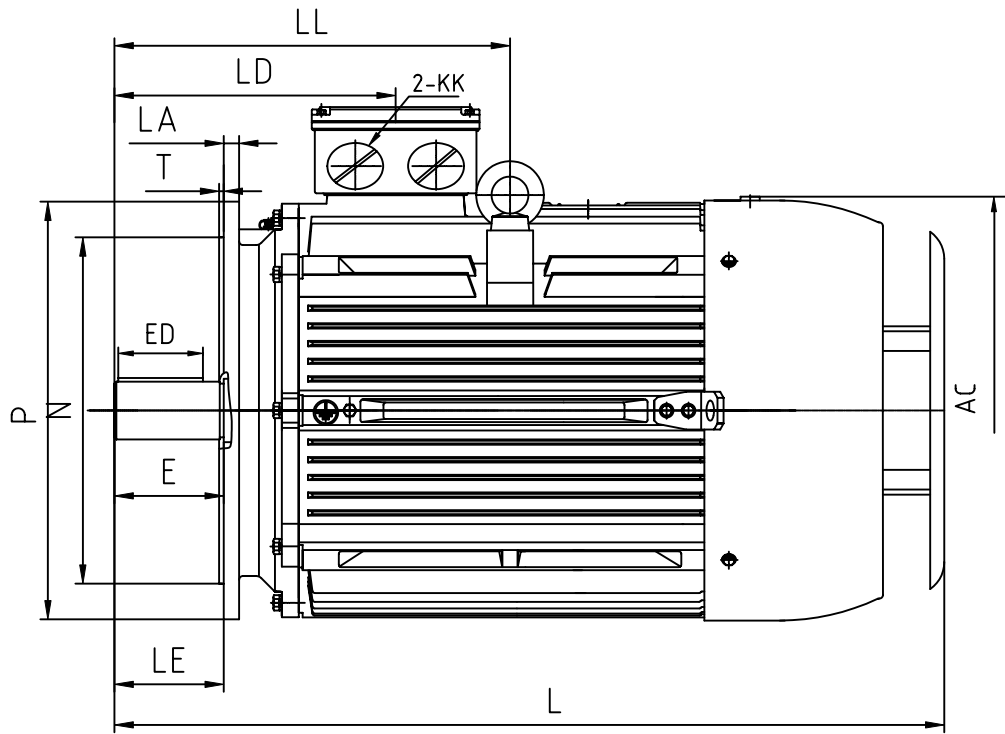
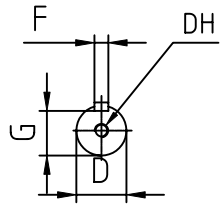
LE	LL	M	N	P	S	T
140	514	φ500	φ450	φ550	8Xφ18.5	5

CUSTOMER APPROVAL \_\_\_\_\_  
 SIGNATURE DATE

1L280 4.6.8P(B35)  
 DIMENSION OUTLINE

1L280007

DATE	2002.01.20	CHK	Qu Hudong
DRAWN	Wang Long	APPD	Zhang Wenbin
ISSUE A	DATE	CERTIFIED BY	
ISSUE B	DATE	CERTIFIED BY	
ISSUE C	DATE	CERTIFIED BY	
ISSUE D	DATE	CERTIFIED BY	



CLIENT:		
FRAME	KW	RPM
VOLTS		

OUTLINE DIMENSIONS FOOT MOUNTED MOTORS

SHAFT EXT.DE ONLY

WEIGHT

AC	AD	AG'	AH	KK	L	LA	LD	LE	LL	M	N	P	S	T				D	DH	E	ED	F	G	
φ570	405	322	718	M63 X 1.5	1089	22	365	140	514	φ500	φ450	φ550	8×φ18.5	5				φ75 <sup>+0.030</sup> <sub>+0.011</sub>	M20×4.2	140	110	20	67.5 <sup>0</sup> <sub>-0.2</sub>	

CUSTOMER APPROVAL \_\_\_\_\_  
SIGNATURE DATE

1L280-4.6.8(V1) DIMENSION OUTLINE	DATE	2002.01.20	CHK	Qu Huolong
	DRAWN	Wang Long	APPD	Zhang Wenbin
1L280008	ISSUE	A	DATE	CERTIFIED BY
	ISSUE	B	DATE	CERTIFIED BY
	ISSUE	C	DATE	CERTIFIED BY
	ISSUE	D	DATE	CERTIFIED BY