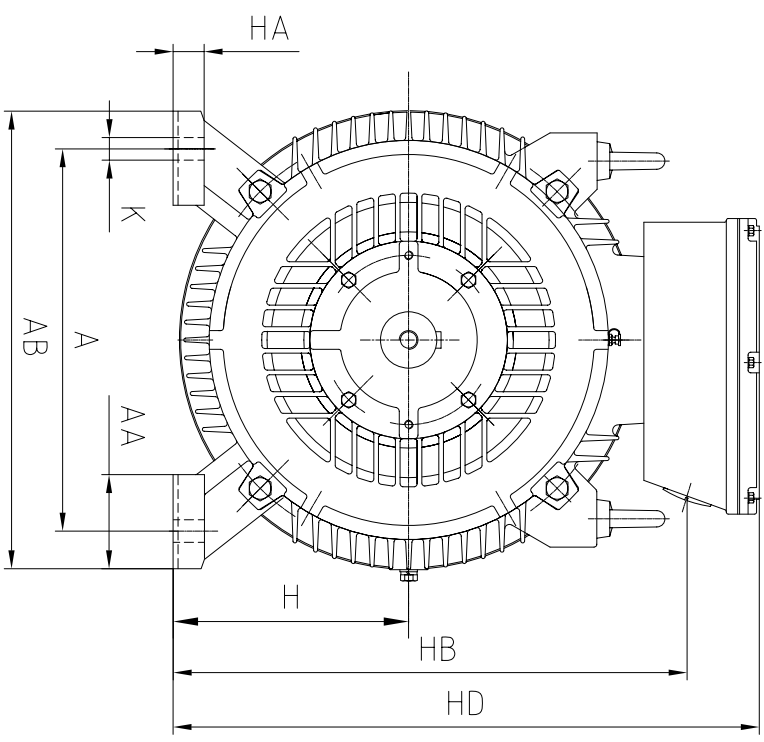
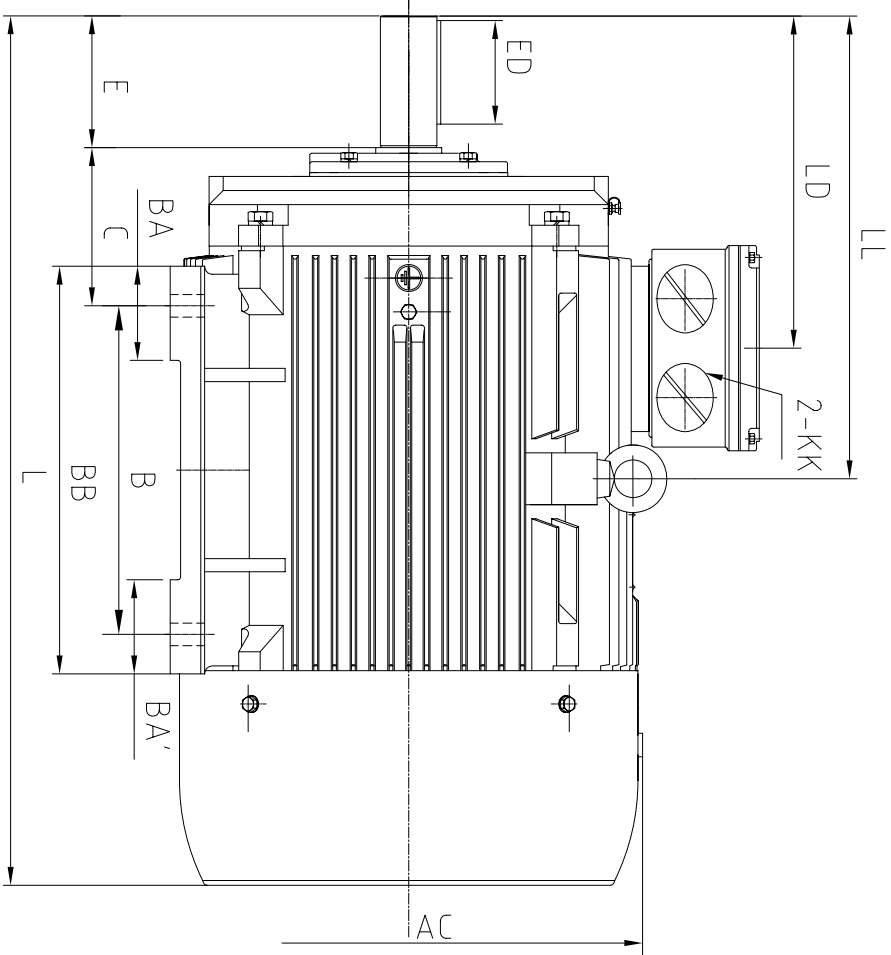


CLIENT:			
FRAME		KW	
VOLTS		RPM	



OUTLINE DIMENSIONS FOOT MOUNTED MOTORS

SHAFT EXT. IDE ONLY

WEIGHT

A	406	AA	88	AB	495	AC	∅520	B	349	BA	110	BA'	110	BB	440	C	168	H	250	HA	33	HB	542.5	HD	625	K	∅24	KK	M63 X 1.5	L	935	LD	353	LL	491.5	D	∅60 ^{+0.030} / _{+0.011}	DH	M20 X 42	E	140	ED	110	F	18	G	53 ⁰ / _{-0.2}
---	-----	----	----	----	-----	----	------	---	-----	----	-----	-----	-----	----	-----	---	-----	---	-----	----	----	----	-------	----	-----	---	-----	----	-----------	---	-----	----	-----	----	-------	---	---	----	----------	---	-----	----	-----	---	----	---	-----------------------------------

CUSTOMER APPROVAL

SIGNATURE

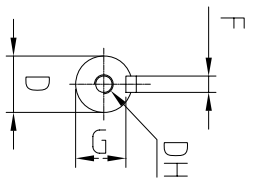
DATE

1L250-2 P(B3)

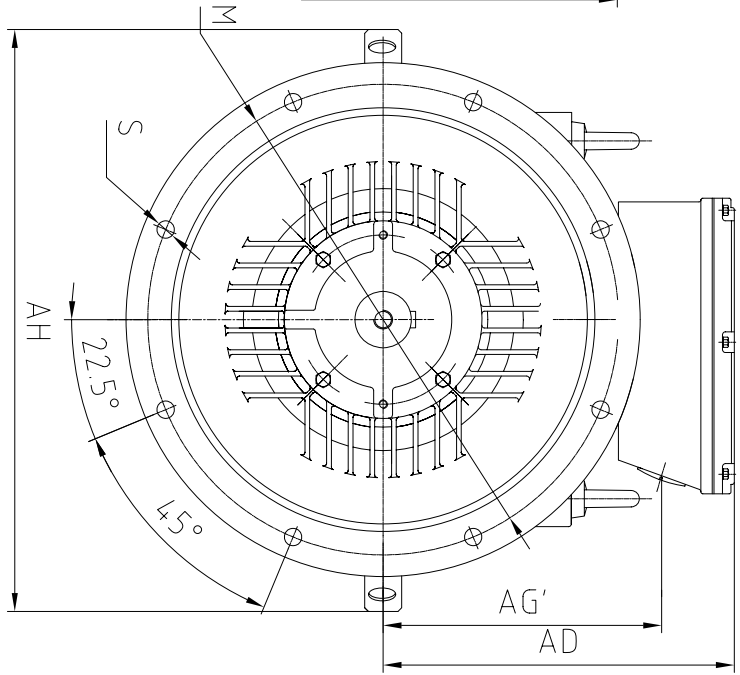
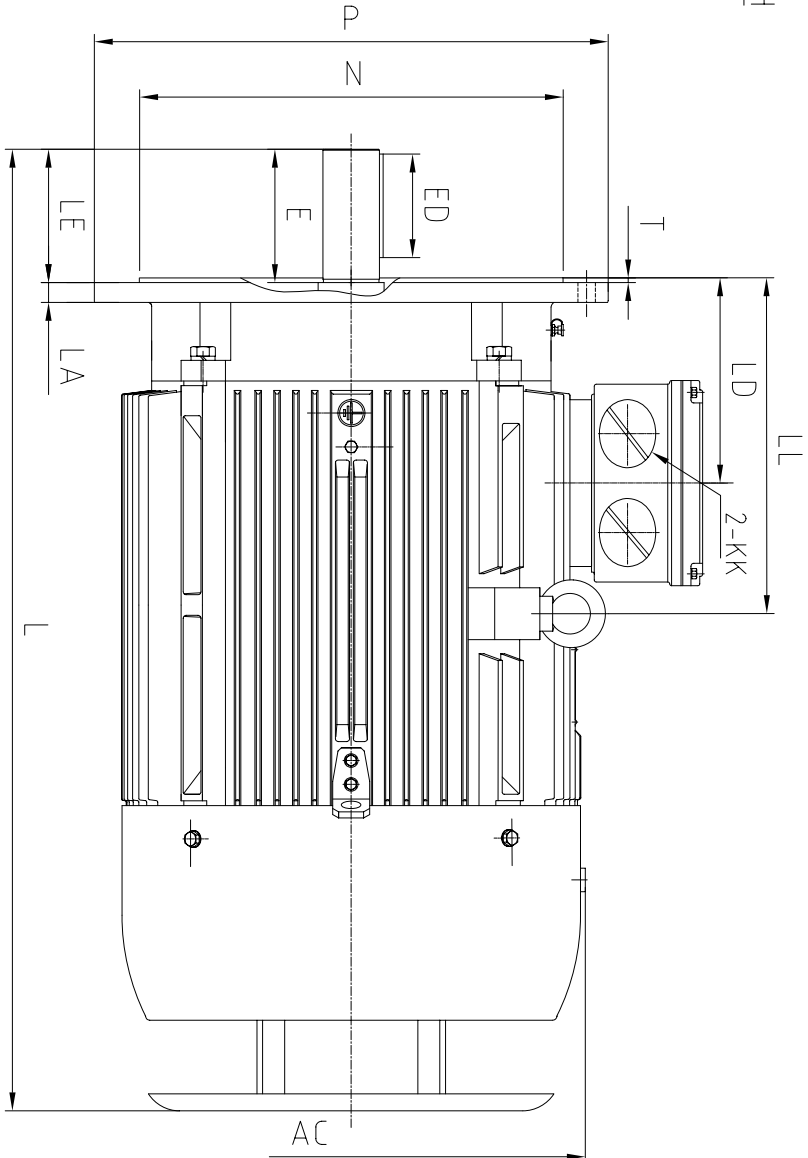
DIMENSION OUTLINE

1L250001

DATE	20020120	CHK	OU
DRAWN	Wang Long	APPD	Zhang Wenbin
ISSUE A	DATE	CERTIFIED BY	
ISSUE B	DATE	CERTIFIED BY	
ISSUE C	DATE	CERTIFIED BY	
ISSUE D	DATE	CERTIFIED BY	



CLIENT:			
FRAME		KW	
VOLTS		RPM	



OUTLINE DIMENSIONS FOOT MOUNTED MOTORS

AC	AD	AG'	AH	KK	L	LA	LD	LE	LL	M	N	P	S	T
φ520	375	292.5	640	M63 X 1.5	1014	21	353	140	491.5	φ500	φ450	φ545	8Xφ18.5	5

SHAFT EXT. DE ONLY

D	DH	E	ED	F	G
φ65 ^{+0.030} / _{+0.011}	M20X42	140	110	18	58 ⁰ / _{-0.2}

WEIGHT

--	--	--	--	--	--

CUSTOMER APPROVAL

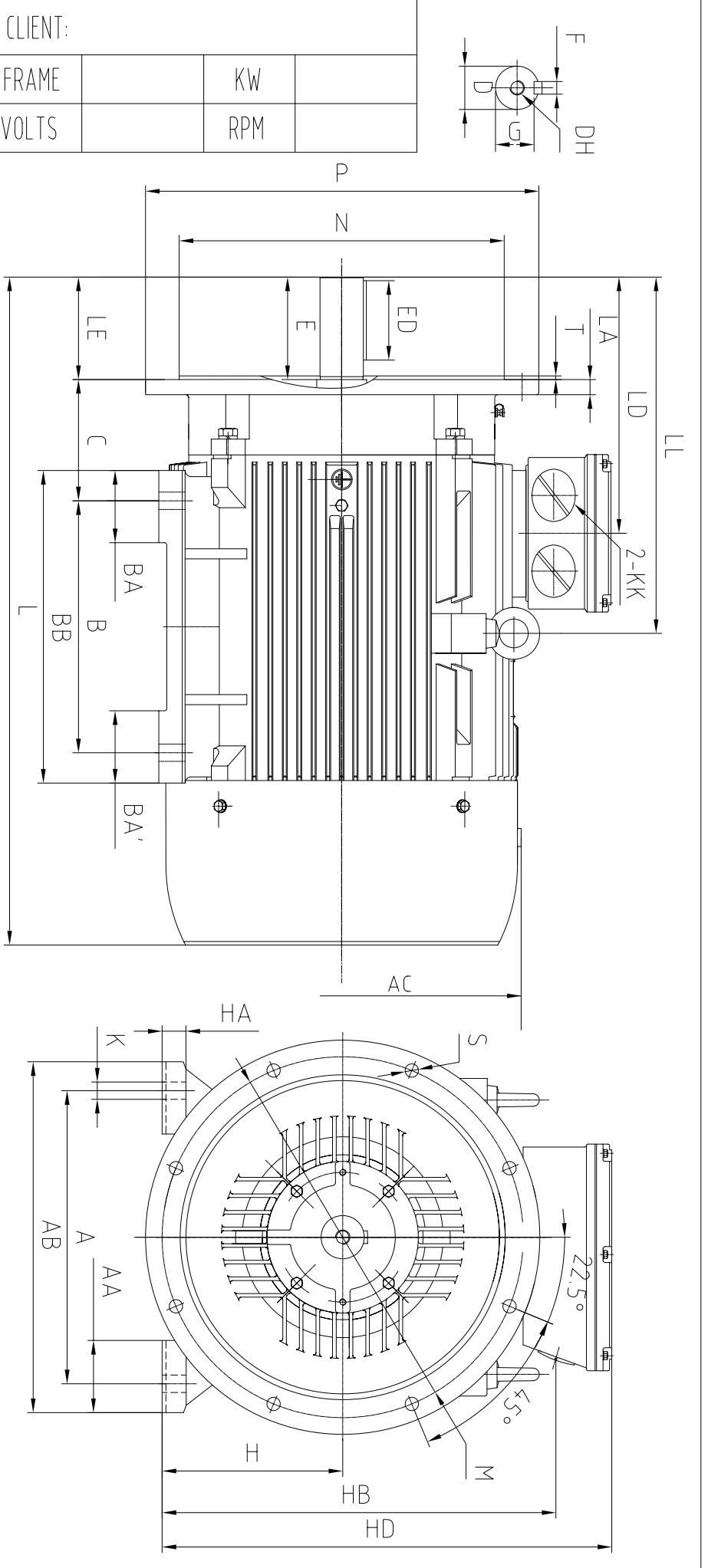
SIGNATURE

DATE

1L250-4.6.8P(V1)
DIMENSION OUTLINE

1L250008

DATE	2002.01.20	CHK	Qu Hudong
DRAWN	Wang Long	APPD	Zhang Weibin
ISSUE A	DATE	CERTIFIED BY	
ISSUE B	DATE	CERTIFIED BY	
ISSUE C	DATE	CERTIFIED BY	
ISSUE D	DATE	CERTIFIED BY	



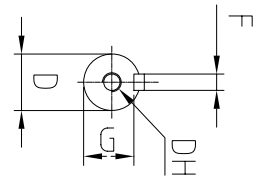
A	AA	AB	AC	B	BA	BA'	BB	C	H	HA	HB	HD	K	KK	L	LA	LD	D	DH	E	ED	F	G
406	88	495	φ520	349	110	110	440	168	250	33	542.5	625	φ24	M63 X 1.5	935	21	353	φ65 ^{+0.030} _{+0.011}	M20 X 42	140	110	18	58 ⁰ _{-0.2}

140	LE
491.5	LL
φ500	M
φ450	N
φ545	P
8 X φ18.5	S
5	T

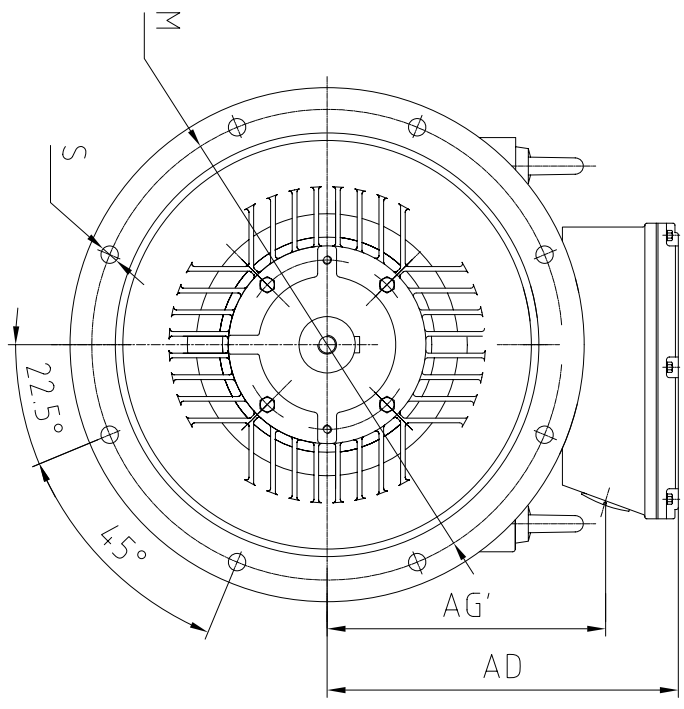
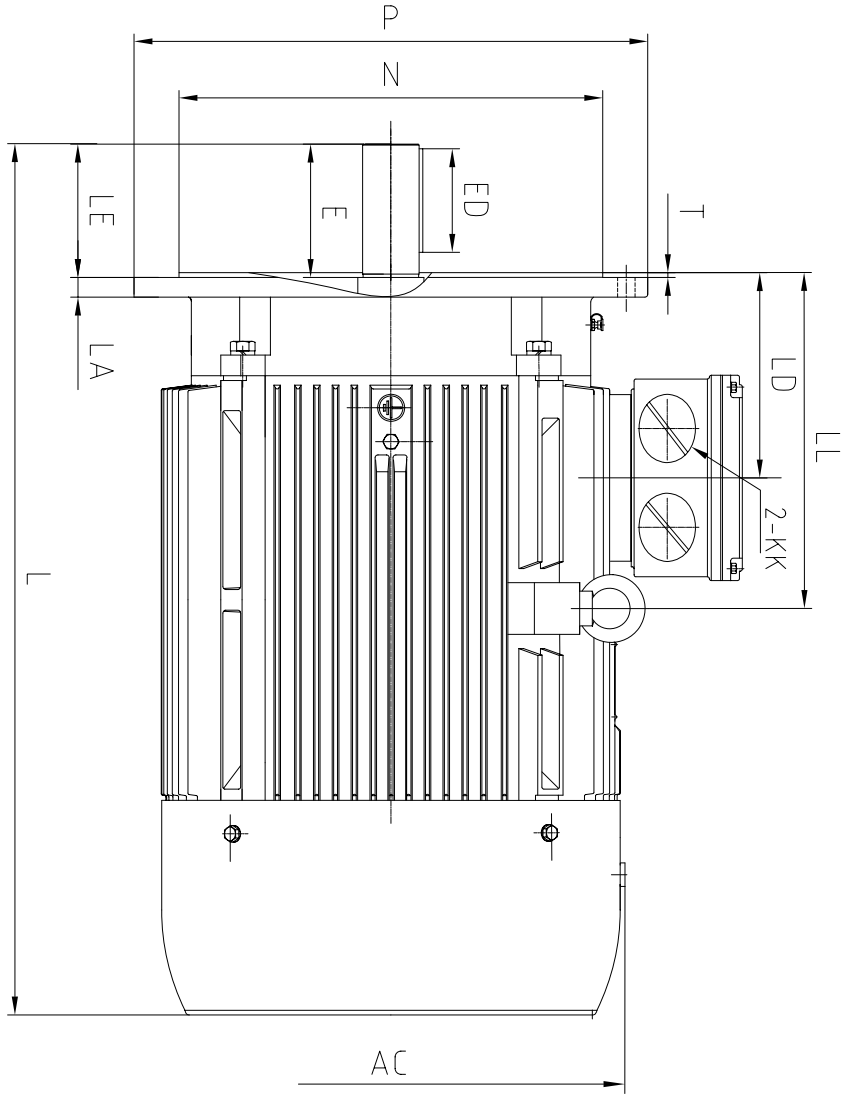
CUSTOMER APPROVAL _____ SIGNATURE _____ DATE _____

1L250-4.6.8P(B35)		DIMENSION OUTLINE	
DATE	20020120	CHK	Ou Fuolong
DRAWN	Wang Long	APPD	Zhang Wenbin
ISSUE A	DATE	CERTIFIED BY	
ISSUE B	DATE	CERTIFIED BY	
ISSUE C	DATE	CERTIFIED BY	
ISSUE D	DATE	CERTIFIED BY	

1L250007



CLIENT:			
FRAME		KW	
VOLTS		RPM	



OUTLINE DIMENSIONS FOOT MOUNTED MOTORS

AC	AD	AG'	KK	L	LA	LD	LE	LL	M	N	P	S	T
φ520	375	292.5	M63 X 1.5	935	21	353	140	491.5	φ500	φ450	φ545	8×φ18.5	5

SHAFT EXT. DIM ONLY

D	DH	E	ED	F	G
φ65 ^{+0.030} _{+0.011}	M20×42	140	110	18	58 ⁰ _{-0.2}

WEIGHT

--	--	--	--	--	--

CUSTOMER APPROVAL

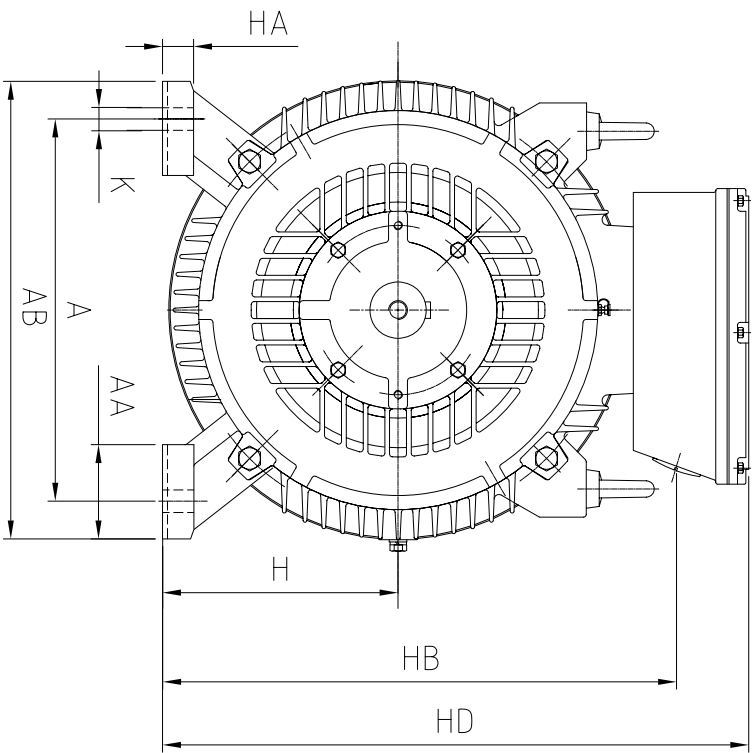
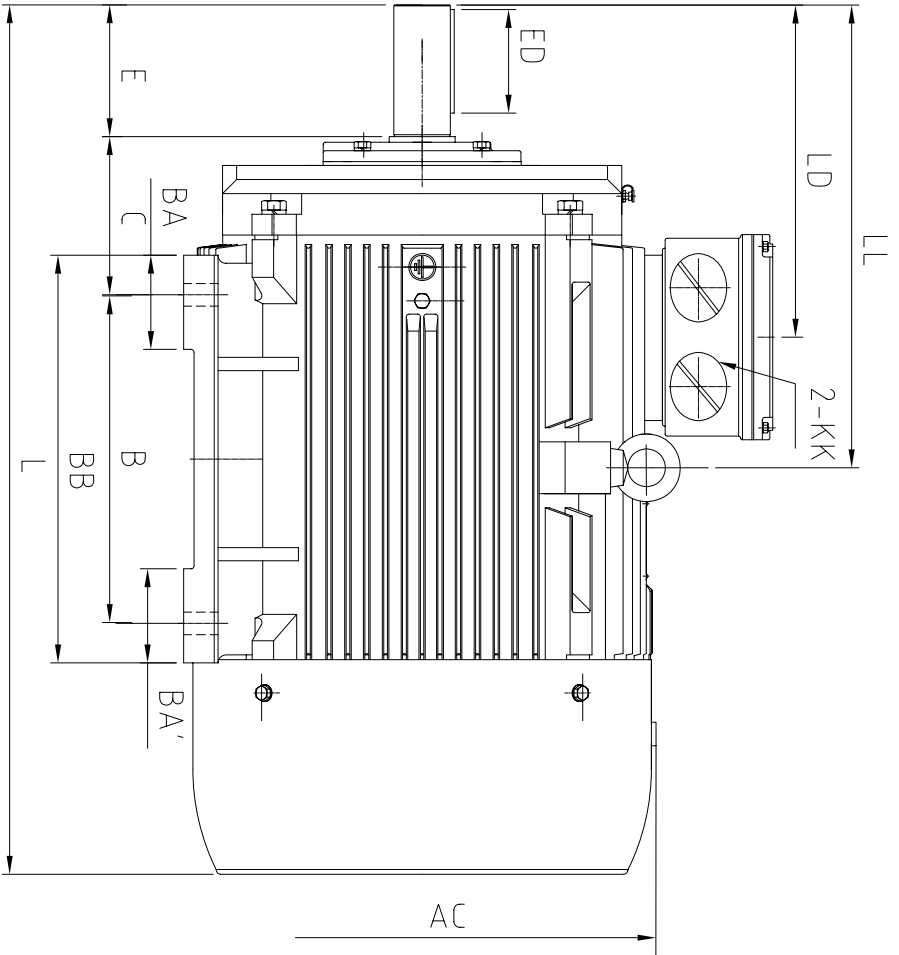
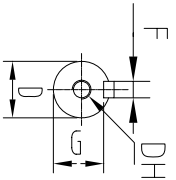
SIGNATURE

DATE

1L250-4.6.8P(B5)
DIMENSION OUTLINE

1L250006

DATE	2002/01/20	CHK	Qi Huaolong
DRAWN	Wang Long	APPD	Zhang Weibin
ISSUE A	DATE	CERTIFIED BY	
ISSUE B	DATE	CERTIFIED BY	
ISSUE C	DATE	CERTIFIED BY	
ISSUE D	DATE	CERTIFIED BY	



CLIENT:			
FRAME		KW	
VOLTS		RPM	

OUTLINE DIMENSIONS FOOT MOUNTED MOTORS

SHAFT EXT. DE ONLY

WEIGHT

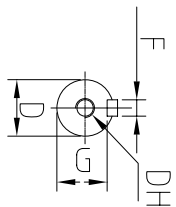
A	406	AA	88	AB	495	AC	φ520	B	349	BA	110	BA'	110	BB	440	C	168	H	250	HA	33	HB	542.5	HD	625	K	φ24	KK	M63 X 1.5	L	935	LD	353	LL	491.5	D	φ65 ^{+0.030} / _{+0.011}	DH	M20X42	E	140	ED	110	F	18	G	58 ⁰ / _{-0.2}
---	-----	----	----	----	-----	----	------	---	-----	----	-----	-----	-----	----	-----	---	-----	---	-----	----	----	----	-------	----	-----	---	-----	----	-----------	---	-----	----	-----	----	-------	---	---	----	--------	---	-----	----	-----	---	----	---	-----------------------------------

CUSTOMER APPROVAL

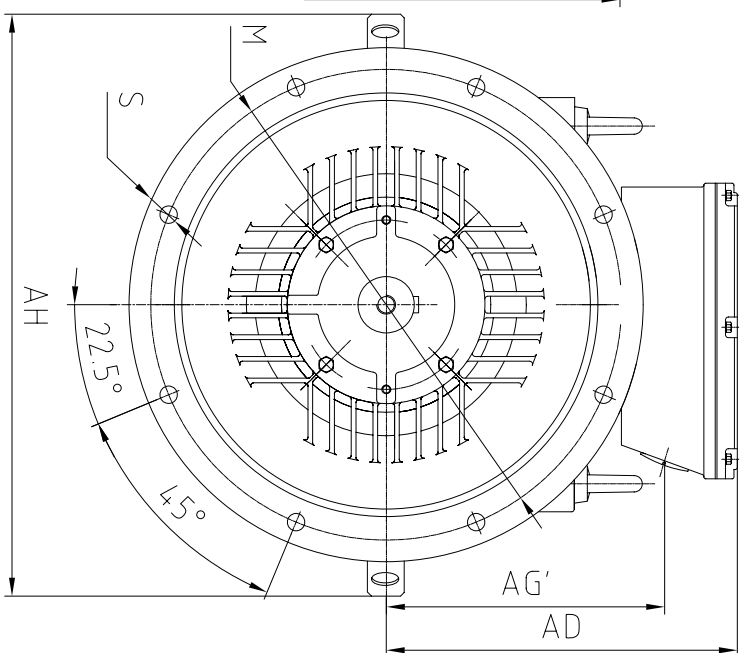
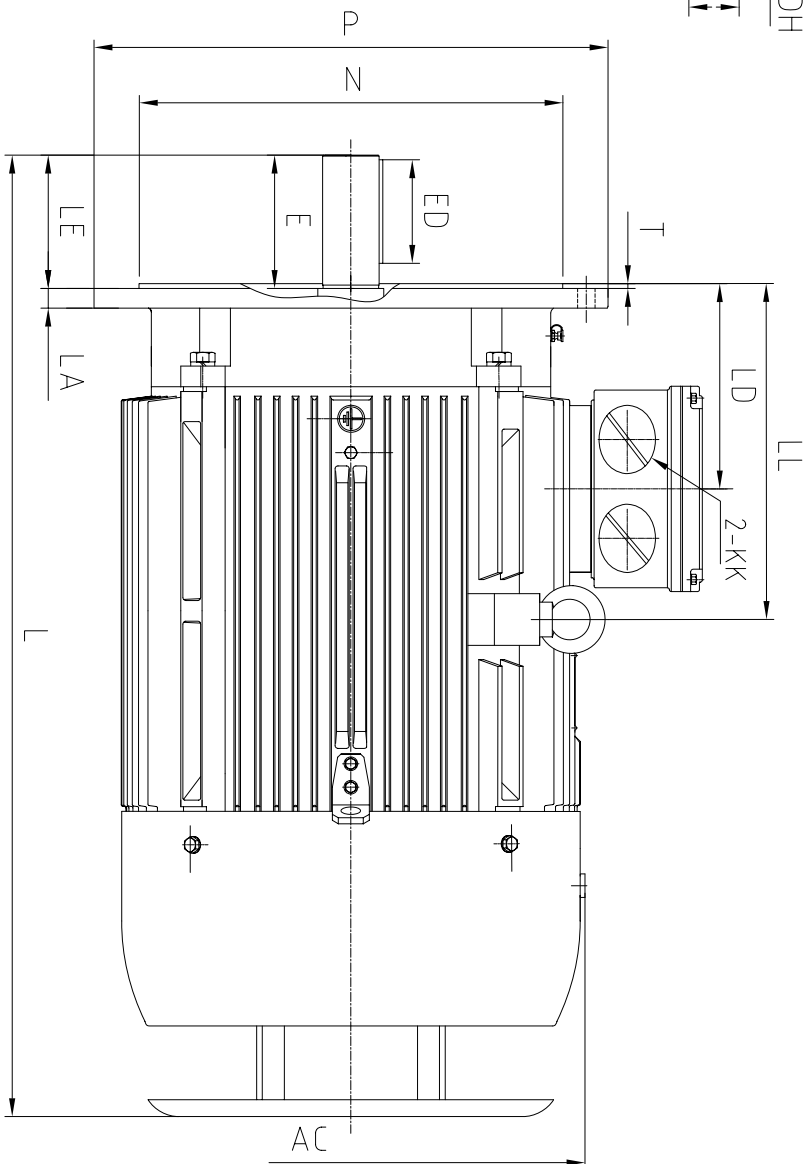
SIGNATURE

DATE

11250-4,6,8P(B3)		DATE	20020120	CHK	Ou Hudong
DIMENSION OUTLINE		DRAWN	Wang Long	APPD	Zhang Wenbin
ISSUE A	DATE	ISSUE B	DATE	CERTIFIED BY	
ISSUE C	DATE	ISSUE D	DATE	CERTIFIED BY	
11250005		ISSUE D	DATE	CERTIFIED BY	



CLIENT:			
FRAME		KW	
VOLTS		RPM	



OUTLINE DIMENSIONS FOOT MOUNTED MOTORS

AC	AD	AG'	AH	KK	L	LA	LD	LE	LL	M	N	P	S	T
φ520	375	292.5	640	M63 X 1.5	1014	21	353	140	491.5	φ500	φ450	φ550	8×φ18.5	5

SHAFT EXTIDE ONLY

D	DH	E	ED	F	G
φ60 ^{+0.030} _{+0.011}	M20×42	140	110	18	53 ⁰ _{-0.2}

WEIGHT

--	--	--	--	--	--

CUSTOMER APPROVAL

SIGNATURE

DATE

1L250-2 P(V1)

DIMENSION OUTLINE

1L250004

DATE 20020120

DRAWN Wang Long

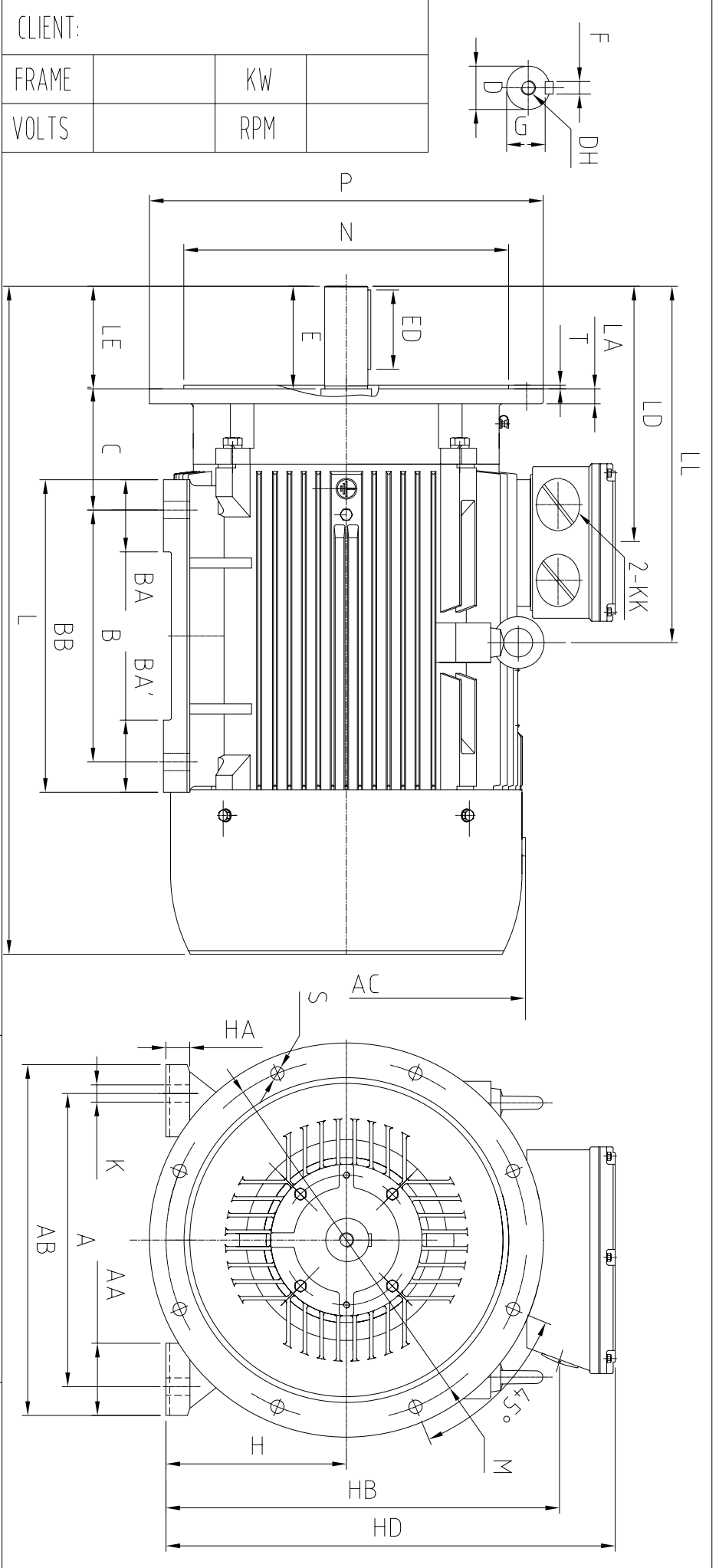
CHK

APPD

Ou Hudong

Zhang Weibin

ISSUE A	DATE	CERTIFIED BY
ISSUE B	DATE	CERTIFIED BY
ISSUE C	DATE	CERTIFIED BY
ISSUE D	DATE	CERTIFIED BY



OUTLINE DIMENSIONS FOOT MOUNTED MOTORS

SHAFT EXT. DE ONLY

WEIGHT

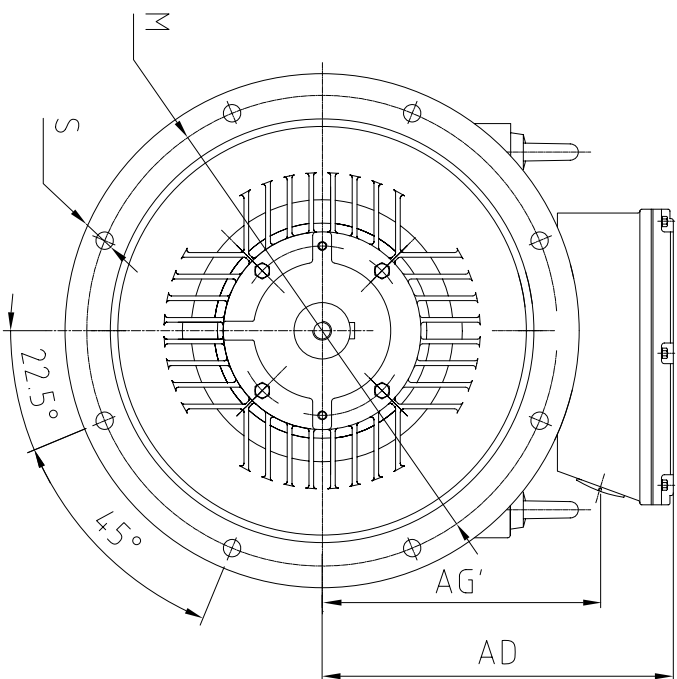
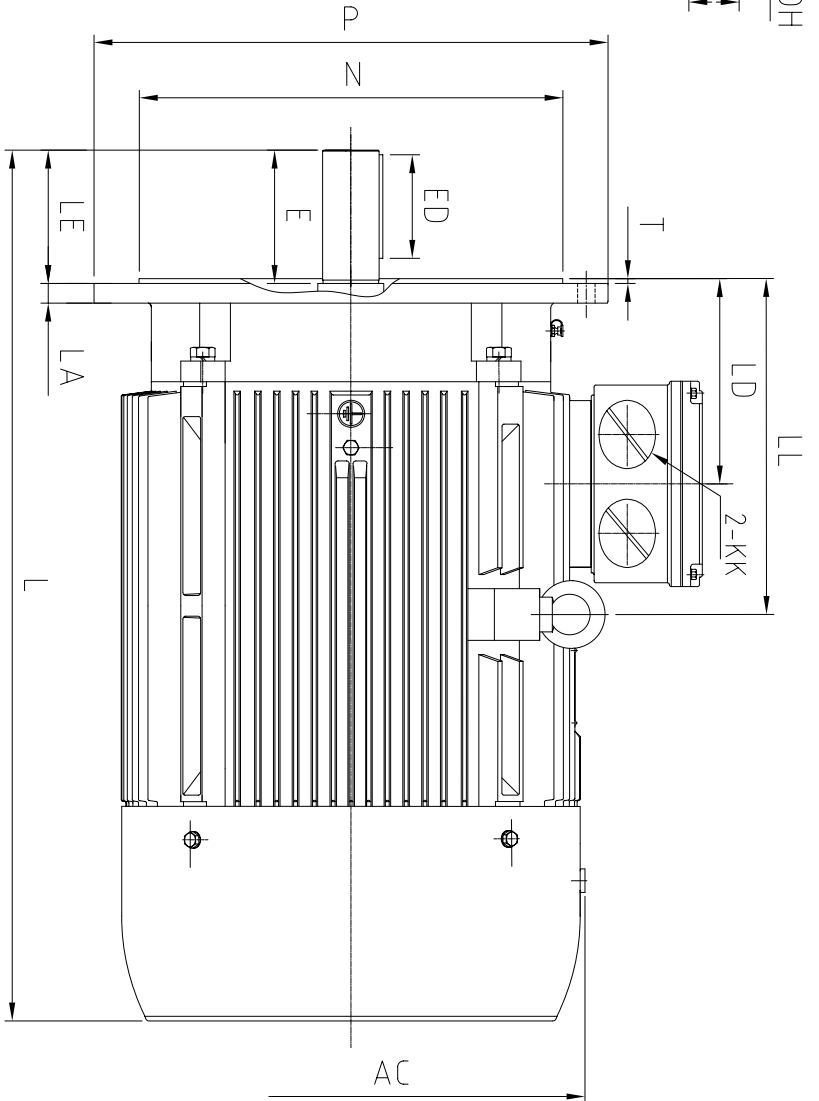
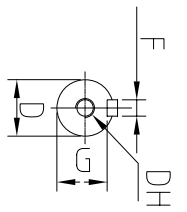
A	406	AA	88	AB	495	AC	φ520	B	349	BA	110	BA'	110	BB	440	C	168	H	250	HA	33	HB	542.5	HD	625	K	φ24	KK	M63 X 1.5	L	935	LD	353	LL	491.5	D	φ60 ^{+0.030} _{+0.011}	DH	M20×42	E	140	ED	110	F	18	G	53 ⁰ _{-0.2}
---	-----	----	----	----	-----	----	------	---	-----	----	-----	-----	-----	----	-----	---	-----	---	-----	----	----	----	-------	----	-----	---	-----	----	-----------	---	-----	----	-----	----	-------	---	---	----	--------	---	-----	----	-----	---	----	---	---------------------------------

21	LA
140	LE
φ500	M
φ450	N
φ550	P
8×φ18.5	S
5	T

CUSTOMER APPROVAL

SIGNATURE _____ DATE _____

1L250-2P (B35)		DATE	20020120	CHK	CHK
DIMENSION OUTLINE		DRAWN	Wang Long	APPD	Zhang Wenbin
1L250003		ISSUE A	DATE	CERTIFIED BY	
		ISSUE B	DATE	CERTIFIED BY	
		ISSUE C	DATE	CERTIFIED BY	
		ISSUE D	DATE	CERTIFIED BY	



CLIENT:			
FRAME		KW	
VOLTS		RPM	

OUTLINE DIMENSIONS FOOT MOUNTED MOTORS

AC	AD	AG'	KK	L	LA	LD	LE	LL	M	N	P	S	T
φ520	375	292.5	M63 X 1.5	935	21	353	140	491.5	φ500	φ450	φ550	8×φ18.5	5

SHAFT EXTIDE ONLY

D	DH	E	ED	F	G
φ60 ^{+0.030} _{+0.011}	M20×42	140	110	18	53 ⁰ _{-0.2}

WEIGHT

DATE	20020120	CHK	Ou Hudong
DRAWN	Wang Long	APPD	Zhang Weibin
ISSUE A	DATE	CERTIFIED BY	
ISSUE B	DATE	CERTIFIED BY	
ISSUE C	DATE	CERTIFIED BY	
ISSUE D	DATE	CERTIFIED BY	

CUSTOMER APPROVAL

SIGNATURE

DATE

11250-2 P(B5)
DIMENSION OUTLINE

11250002